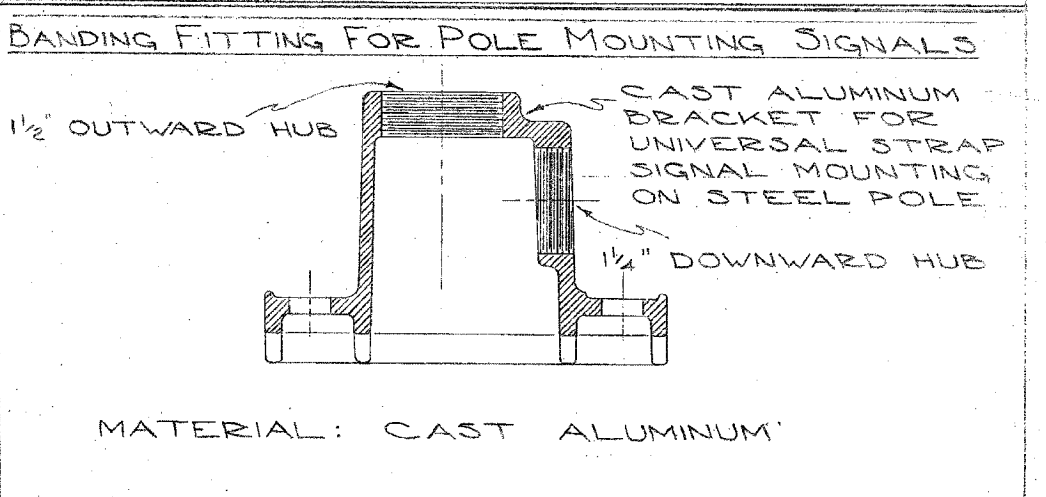
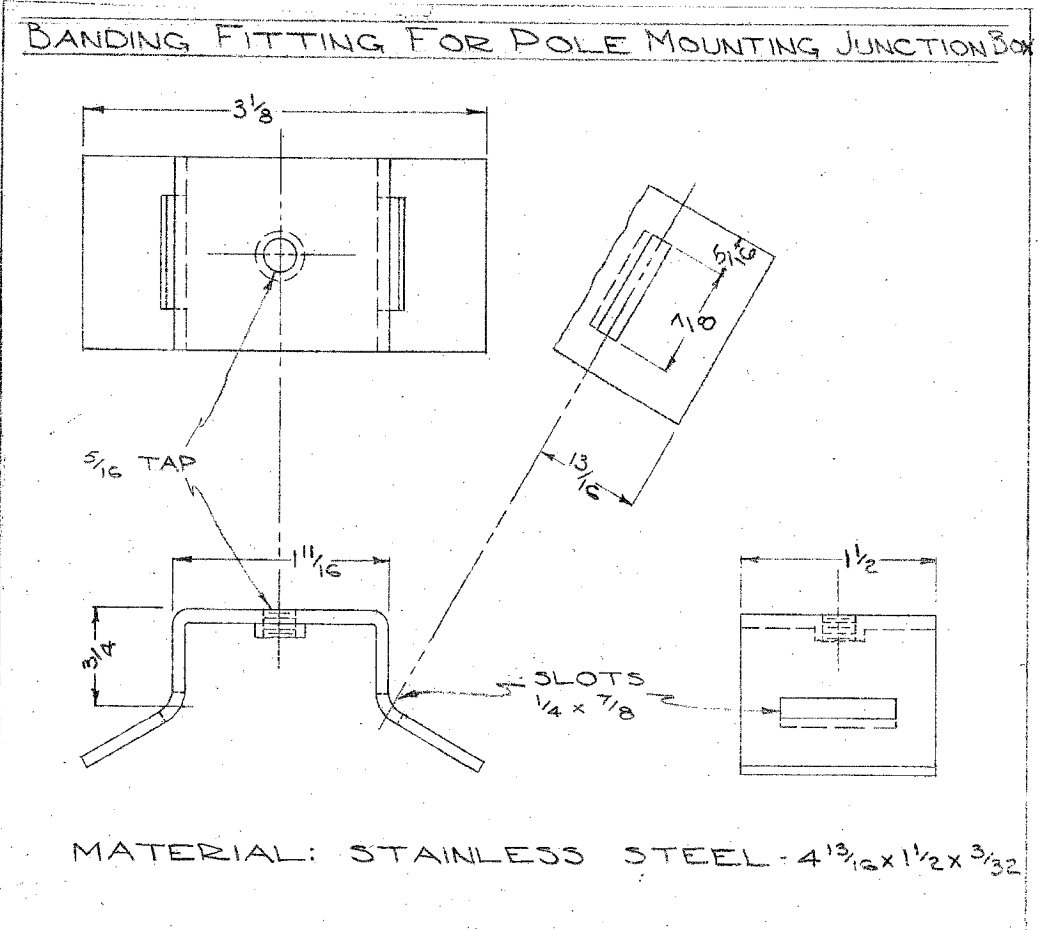


F.A.I. RTE.	SECTION	COUNTY	TOTAL SHEETS	SHEET NO.
90/94	2004-0991S	COOK	65	63
STA.	TO STA.			
FED. ROAD DIST. NO. 1	ILLINOIS	FED. AID PROJECT		
62840				



BANDING FITTINGS FOR POLE MOUNTING TRAFFIC SIGNAL

CROUSE HINDS
TL-3301-WITHOUT DOWNWARD HUB
TL-3302 WITH 1/4" DOWNWARD HUB

CITY OF CHICAGO
DEPT. OF STREETS AND SANITATION
DIVISION OF ELECTRICAL ENGINEERING

DRAWN	CHECKED	ENGINEER
Charles [Signature]	[Signature]	[Signature]
11/04/2004	11/04/2004	11/04/2004

11984

CTE ENGINEERS
CONSOER TOWNSEND ENVIRODYNE ENGINEERS, INC.
303 EAST WACKER DRIVE, SUITE 600
CHICAGO ILLINOIS 60601-5202, PHONE: (312) 938-0300

REVISIONS	
NAME	DATE

BOE-43

ILLINOIS DEPARTMENT OF TRANSPORTATION
F.A.I. 90/94 (DAN RYAN EXPRESSWAY)
TRAFFIC SIGNALS AT 63RD STREET AND
WENTWORTH AVENUE/ WELLS STREET
BOE STANDARD DETAILS

SCALE: NOT TO SCALE DRAWN BY: HAR
DATE: November 05, 2004 CHECKED BY: WDS

11/04/2004 09:02:39 AM