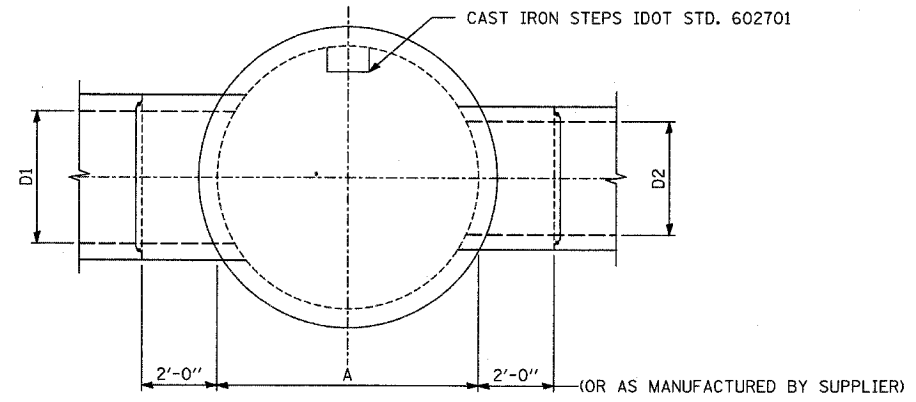
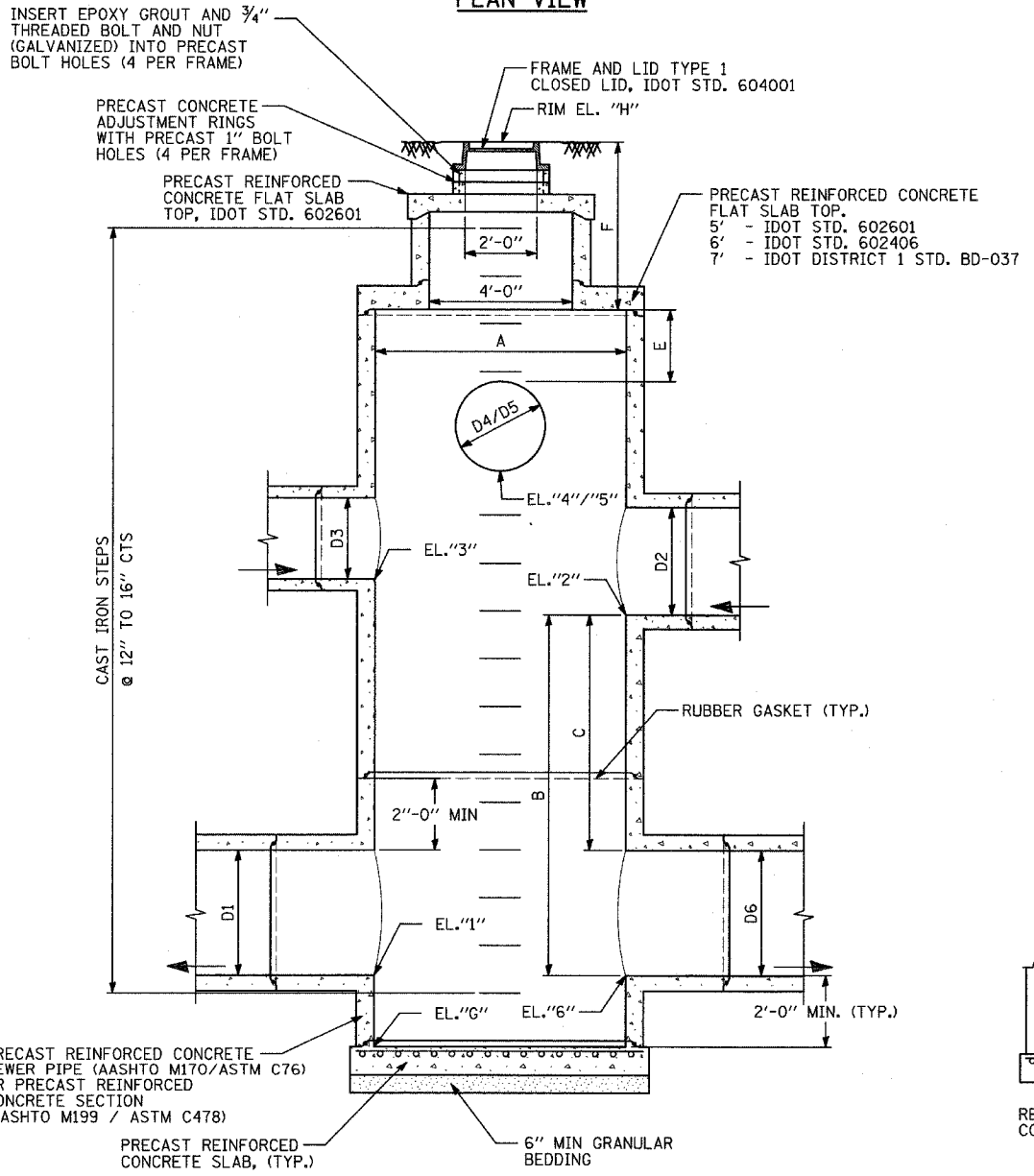


PLAN VIEW



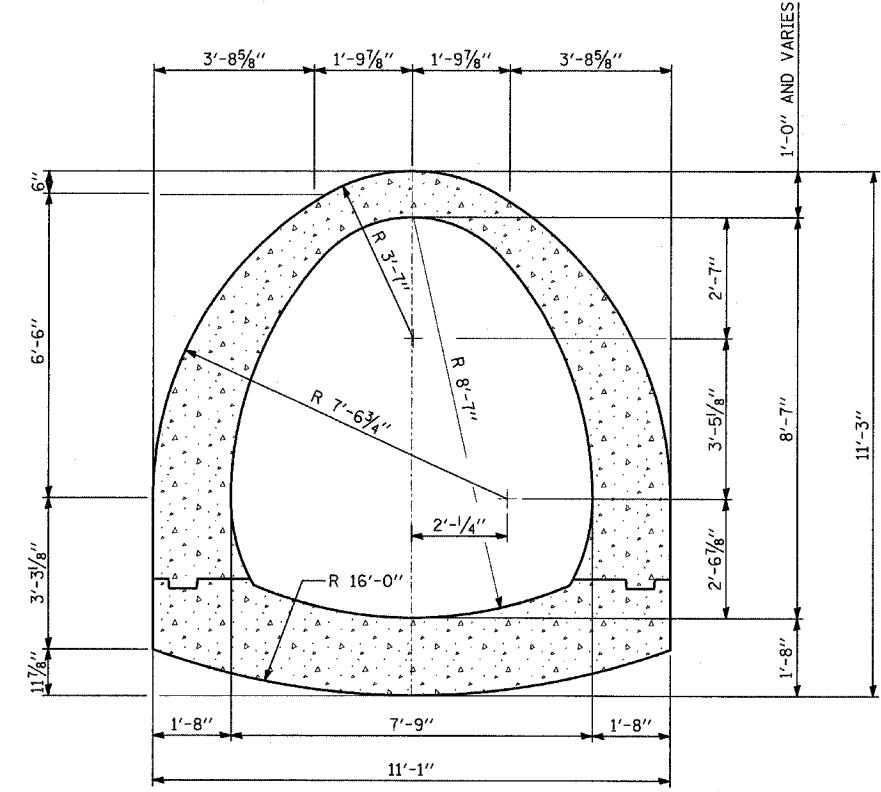
SECTIONAL PLAN



SECTION A-A
DROP MANHOLE

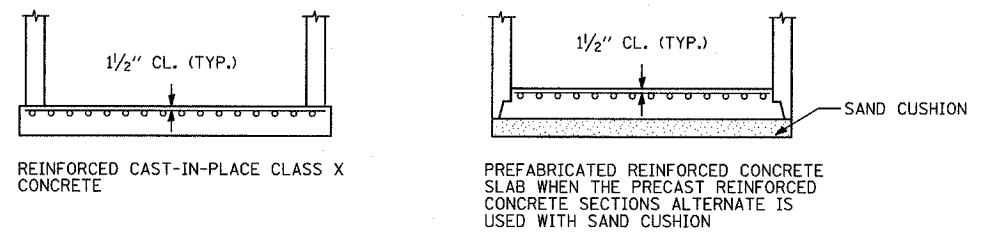
NOTES:

- 1) ALL DIMENSIONS ARE INSIDE DIMENSIONS.
- 2) UTILIZE PIPE "T" SECTIONS WHENEVER AVAILABLE.
- 3) PRESET PIPE OPENINGS IN PRECAST REINFORCED CONCRETE SECTIONS IF "T" SECTIONS AND SPECIAL FITTINGS ARE NOT AVAILABLE.
- 4) ROTATE FLAT SLAB AND MANHOLE RISER SO STEPS AVOID STORM SEWER OPENINGS.
- 5) CAST IRON STEPS SHALL BE GRAY IRON CONFORMING TO THE REQUIREMENTS OF ARTICLE 1006.14 OF THE STANDARD SPECIFICATIONS. STEPS SHALL BE EMBEDDED INTO THE WALL A MINIMUM OF THREE (3) INCHES. STEPS SHALL NOT BE EXTENDED ON THE OUTSIDE.
- 6) JOINT CONFIGURATION AND DIMENSIONS OF FLAT SLAB TOP SHALL MATCH AND FIT THE RISER JOINT DETAIL.
- 7) LIFTING DEVICES SHALL BE APPROVED BY THE ENGINEER.
- 8) ALL WORK SHALL BE AS PER AASHTO REQUIREMENTS. ASTM IS LISTED AS SUPPLEMENTARY.
- 9) EITHER D1 OR D6 WILL BE USED DEPENDING UPON THE ORIENTATION OF THE DROP MANHOLE.
- 10) EITHER D2/D3 OR D4/D5 WILL BE USED DEPENDING UPON THE ORIENTATION OF THE DROP MANHOLE.
- 11) SEE DROP MANHOLE SCHEDULE ON DRAINAGE SCHEDULE SHEET FOR DIMENSIONS AND ELEVATIONS.



EXISTING MAIN DRAIN
SEMI-ELLIPTICAL SEWER
7'-9" X 8'-7"

(ALL EXISTING DIMENSIONS ARE NOMINAL AND WILL VARY)



ALTERNATE BOTTOM SLAB

REVISIONS	
NAME	DATE

ILLINOIS DEPARTMENT OF TRANSPORTATION
F.A.I. 94 (DAN RYAN EXPRESSWAY)

DRAINAGE STRUCTURE DETAILS
DROP MANHOLE
EXISTING MAIN DRAIN

SCALE: NONE
DATE: OCTOBER 4, 2004

DRAWN BY: RTM
CHECKED BY: DA

17/12/2004 08:27:25 AM