

BILL OF MATERIAL - 15" COLLAR

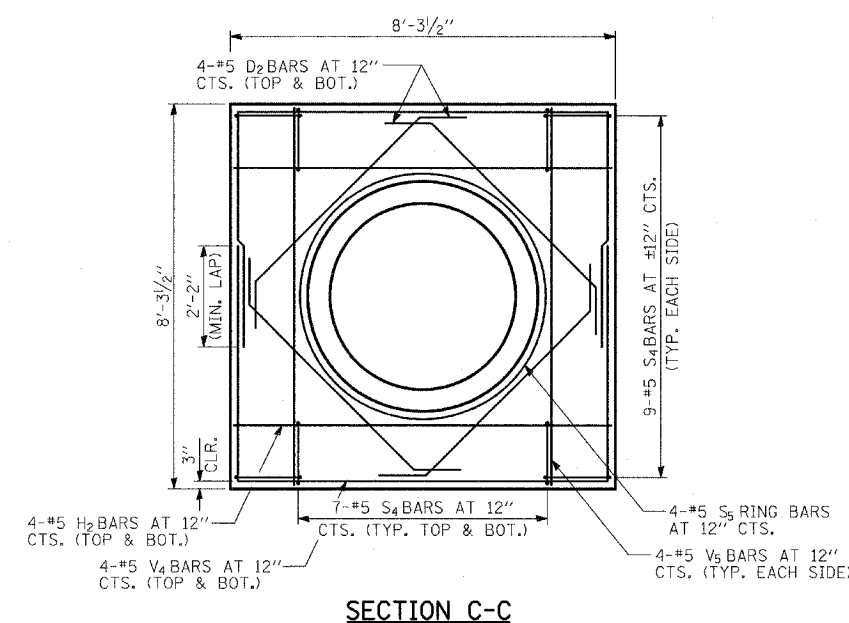
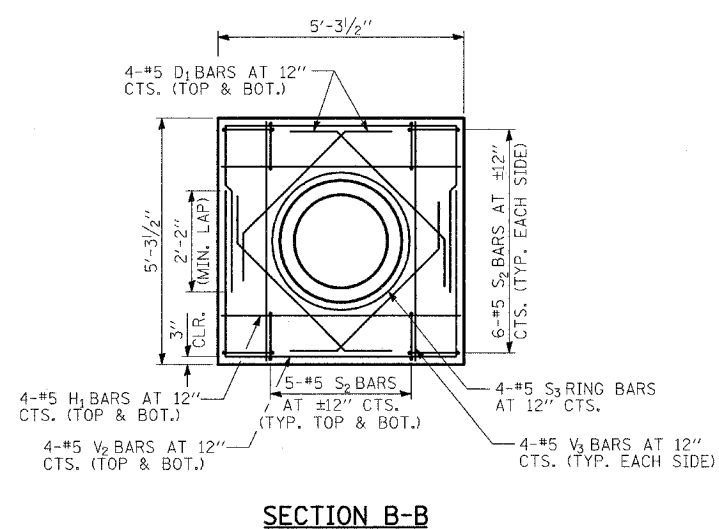
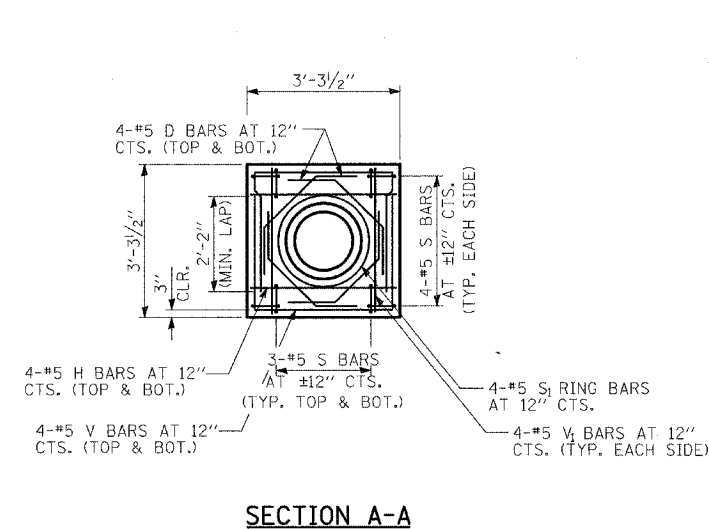
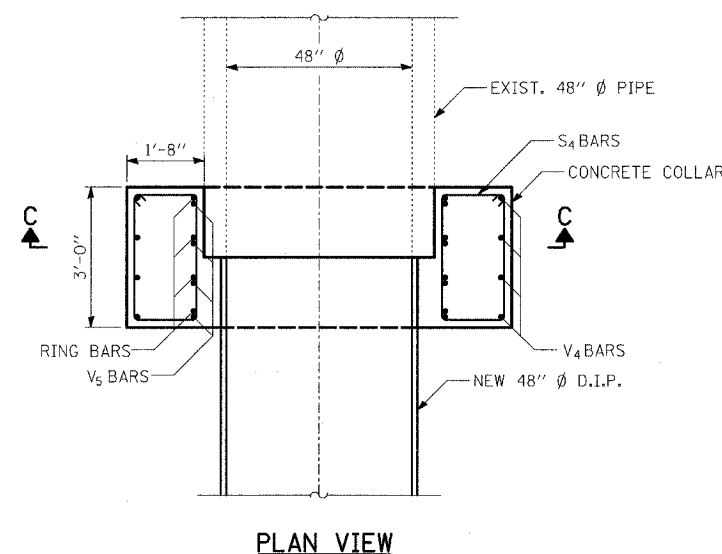
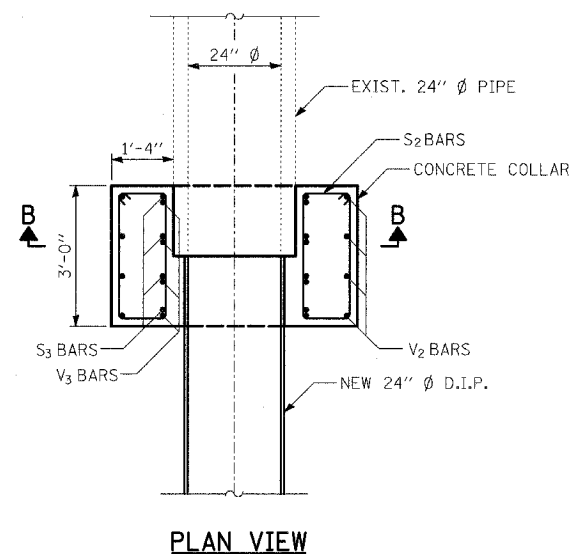
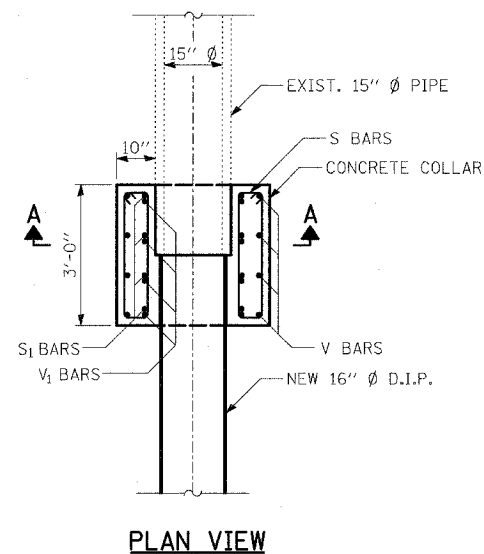
BAR	NO.	SIZE	LENGTH	SHAPE
D	16	#5	4'-3"	┌
H	8	#5	2'-11"	—
S	14	#5	7'-3"	▭
S ₁	4	#5	8'-4"	○
V	8	#5	8'-2"	└
V ₁	8	#5	2'-11"	—
REINFORCEMENT BARS			POUND	330
CONCRETE STRUCTURES			CU YD	1

BILL OF MATERIAL - 24" COLLAR

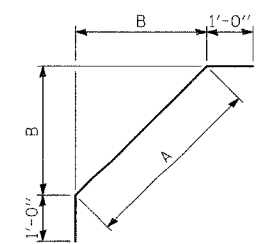
BAR	NO.	SIZE	LENGTH	SHAPE
D ₁	16	#5	6'-0"	┌
H ₁	8	#5	4'-11"	—
S ₂	22	#5	8'-3"	▭
S ₃	4	#5	11'-6"	○
V ₂	8	#5	13'-3"	└
V ₃	8	#5	4'-11"	—
REINFORCEMENT BARS			POUND	540
CONCRETE STRUCTURES			CU YD	2.6

BILL OF MATERIAL - 48" COLLAR

BAR	NO.	SIZE	LENGTH	SHAPE
D ₂	16	#5	8'-0"	┌
H ₂	8	#5	7'-11"	—
S ₄	32	#5	8'-11"	▭
S ₅	4	#5	18'-10"	○
V ₄	8	#5	18'-0"	└
V ₅	8	#5	7'-11"	—
REINFORCEMENT BARS			POUND	800
CONCRETE STRUCTURES			CU YD	4.8



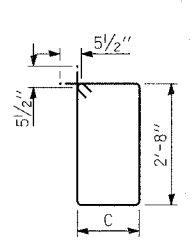
- NOTES:**
- CONCRETE COVER FOR REINFORCEMENT BARS TO BE 2" UNLESS OTHERWISE NOTED.
 - ALL CONCRETE EDGES SHALL BE CHAMFERED 1 INCH.
 - CONCRETE COMPRESSIVE STRENGTH $f'_c = 3,500$ PSI.
 - STEEL YIELD STRENGTH = 60,000 PSI.
 - FOR LOCATIONS OF PIPE COLLARS, SEE COMBINED SEWER RELOCATION PLANS.



MARK TABLE

Bar	A	B
D	2'-3"	1'-7"
D ₁	4'-0"	2'-10"
D ₂	6'-0"	4'-3"

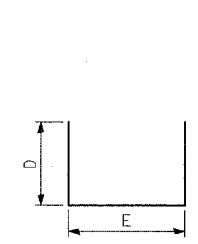
BARS D, D₁ & D₂



MARK TABLE

Bar	C	D
S	6"	
S ₂	1'-0"	
S ₄	1'-4"	

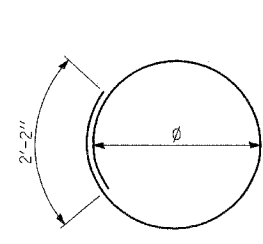
BARS S, S₂ & S₄



MARK TABLE

Bar	E	D
V	2'-6"	2'-10"
V ₂	3'-7"	4'-10"
V ₄	5'-1"	7'-10"

BARS V, V₂ & V₄



MARK TABLE

Bar	φ
S ₁	1'-11 1/2"
S ₃	2'-11 1/2"
S ₅	5'-3 1/2"

BARS S₁, S₃ & S₅



Signed Heather J. Gaffney, S.E., II, Lic. No. 081-004961
Expires 11-30-2004.
Date _____

REVISIONS

NAME	DATE

ILLINOIS DEPARTMENT OF TRANSPORTATION
F.A.I. 94 (DAN RYAN EXPRESSWAY)
PIPE COLLAR
SCALE: N.T.S.
DATE: OCTOBER 4, 2004
DESIGNED BY: MAF
DRAWN BY: MAF
CHECKED BY: TD