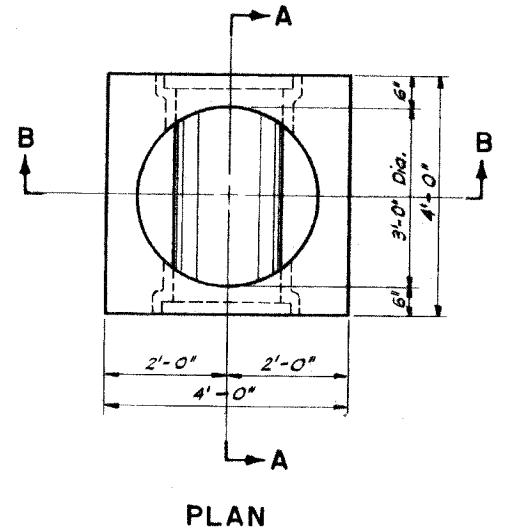
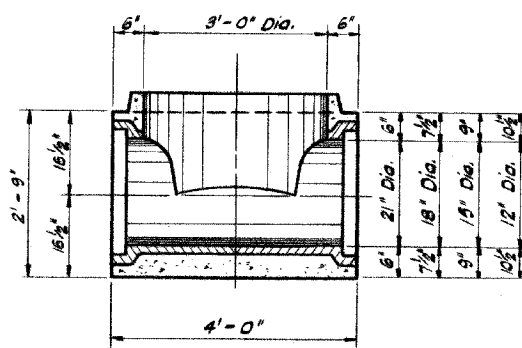


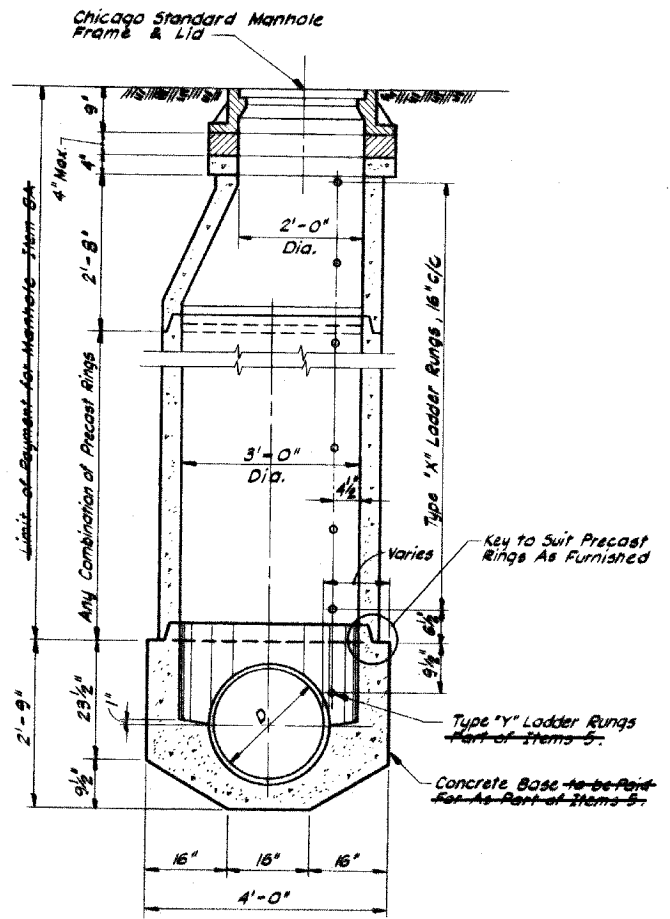
of



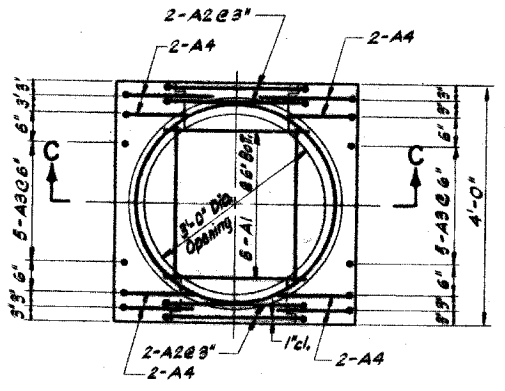
PLAN



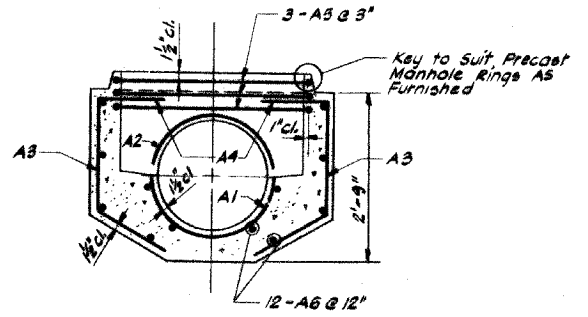
SECTION A-A



SECTION B-B



PLAN
PRECAST BASE



SECTION C-C

SCHEDULE OF REINFORCEMENT - PART OF ITEMS 5																			
STRUCTURE	REINFORCEMENT BAR					BENDING DIMENSIONS													
	MARK NO.	SIZE	TYPE	LENGTH	NO. REBDS	WEIGHT-LBS. EACH	TOTAL	A	B	C	D	E	F	G	H	J	K	O	R
21" DIA.	21A1	6	9	3'-1"	5	4.63	23	3'-1"							11 1/2"			2'-1"	12 1/2"
	21A2	6	13	8'-8"	4	13.02	52											2'-0"	2'-1 1/2"
	21A3	5	12	3'-3"	10	3.39	34			22"	17"				14 1/2"			8 1/2"	
	21A4	5	12	4'-6"	8	4.69	38			15"	22"	17"			14 1/2"			8 1/2"	
	21A5	5	13	11'-11"	3	12.43	37											20"	3'-3 1/2"
	21A6	4	STR	3'-8"	12	2.45	30												
	TOTAL						219												
18" DIA. 18" DIA.	18A1	6	9	2'-8 1/2"	6	4.07	24	2'-8 1/2"							9 1/2"			22"	11 1/2"
	18A2	6	13	7'-10 1/2"	4	11.83	47											2'-0"	22 1/2"
	TOTAL						71												
12" DIA. 15" DIA.	15A1	6	9	2'-3 1/2"	6	3.44	21	23 1/2"							8 1/2"			19"	9 1/2"
	15A2	6	13	7'-1"	4	10.64	42											2'-0"	19 1/2"
	TOTAL						63												
12" DIA.	12A1	6	9	1'-11"	6	2.88	17	23"							6 1/2"			16"	8 1/2"
	12A2	6	13	6'-1"	4	9.14	37											2'-0"	16 1/2"
	TOTAL						54												

CITY OF CHICAGO
DEPARTMENT OF WATER MANAGEMENT
BUREAU OF ENGINEERING SERVICES

TYPE "A" PRECAST MANHOLE
FOR SEWERS 21" DIA. & SMALLER

SCALE: 3/8"=1'-0"

CONTRACT SHEET NO.

DRAWN BY B. Markowski
DESIGNED BY A. A.
CHECKED BY A. A.

NOTE: THESE DRAWINGS ARE FOR INFORMATIONAL PURPOSES ONLY. ALL REFERENCES TO PAY ITEMS OR PAY LIMITS SHOULD BE IGNORED. SEE SPECIAL PROVISIONS FOR PAY ITEMS.

REVISIONS	
NAME	DATE

ILLINOIS DEPARTMENT OF TRANSPORTATION
F.A.I. 94 (DAN RYAN EXPRESSWAY)
CITY OF CHICAGO
DEPARTMENT OF WATER MANAGEMENT
SEWER RELOCATION DETAIL
(SHEET 1 OF 9)

SCALE: NONE
DATE: OCTOBER 4, 2004
DRAWN BY: MB
CHECKED BY: MPG

TYLIN INTERNATIONAL