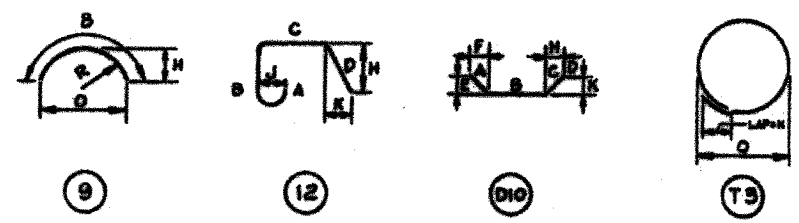
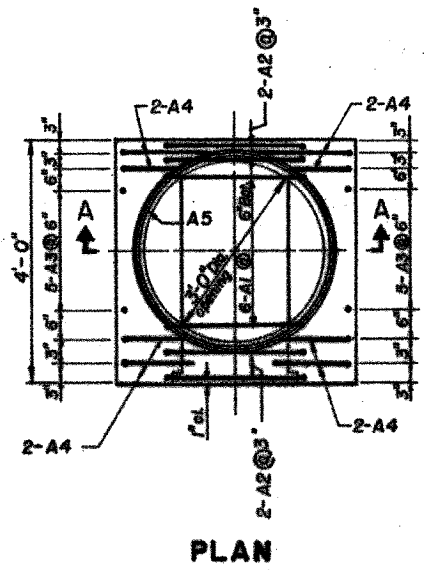


Structural Notes:
Placing of Concrete - Concrete shall be placed in accordance with the method outlined in the Specifications.
Construction Joints - Joints not indicated on the Drawings shall be so made and located as not to impair the strength of the Structure and shall be approved by the Commissioner. Joints shall be constructed in accordance with the method outlined in the Specifications.
Concrete Protection for Reinforcement - All reinforcing steel shall have clear concrete covering as follows (unless otherwise noted):
 3" of exterior surfaces where concrete is deposited against the ground;
 2" of surfaces where concrete is formed but subsequently will be in contact with sewage; 2" of all other surfaces.
Reinforcing Steel - All reinforcing bars shall be accurately placed and securely supported by bar supports, spacers or high chairs. All laps in reinforcing steel shall be based upon the 1999ACI Building Code.
 Unless otherwise noted, hooks and bends on bars shall conform to recommended details as given in the "Manual of Standard Practice", OR 91 - 1990.
 The following abbreviations are used to indicate the location of reinforcing bars:
 T. denotes Top N.F. denotes Near Face
 Bot. denotes Bottom F.F. denotes Far Face
 I.F. denotes Inside Face E.F. denotes Each Face.
 O.F. denotes Outside Face E.W. denotes Each Way.
Placing Bar Supports - All reinforcing bars shall be supported, anchored and tied and shall conform to Recommended Practice for placing Reinforcing Bars 1986, Prepared by the Concrete Reinforcing Steel Institute.

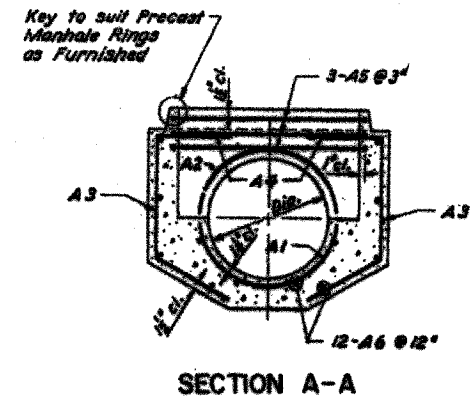


Note:
 All Dimensions Are Out to Out of Bar.
 Bending Radii "R" to Outside of Bar.
 Numbers in Circles Denote Bar Type.

DRAWN BY Reproduction
 DESIGNED BY _____
 CHECKED BY _____



PLAN

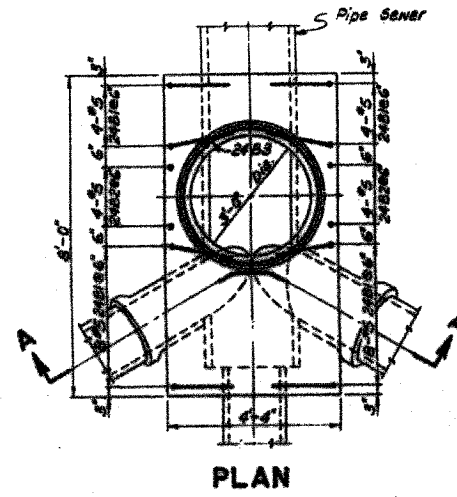


SECTION A-A

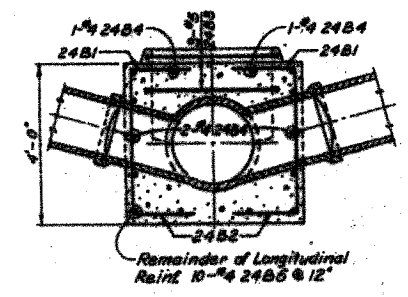
SCHEDULE OF REINFORCEMENT-PART OF ITEMS 5-

STRUCTURE	REINFORCEMENT BAR				BENDING DIMENSIONS															
	MARK	NO.	TYPE	LENGTH	NO.	WEIGHT	NO.	WEIGHT	A	B	C	D	E	F	G	H	K	O	R	
24" DIA. & SMALLER	24B1	5	17	6'-7"	24	6.87	165		18"	3'-7"	18"									
	24B2	5	17	5'-0"	8	5.82	42		18"	8'-0"										
	24B3	5	73	12'-7"	3	13.72	39												20" 5/16"	
	24B4	5	91	3'-9"	4	3.91	16													
24B5	4	311	7'-9"	10	8.18	52														
TOTAL								1314												

TYPE "A" MANHOLE PRECAST BASE FOR SEWERS 21" DIA. & SMALLER



PLAN



SECTION A-A

SCHEDULE OF REINFORCEMENT-ITEM 10-

STRUCTURE	REINFORCEMENT BAR				BENDING DIMENSIONS															
	MARK	NO.	TYPE	LENGTH	NO.	WEIGHT	NO.	WEIGHT	A	B	C	D	E	F	G	H	K	O	R	
24" DIA. & SMALLER	24B1	5	17	6'-7"	24	6.87	165		18"	3'-7"	18"									
	24B2	5	17	5'-0"	8	5.82	42		18"	8'-0"										
	24B3	5	73	12'-7"	3	13.72	39												20" 5/16"	
	24B4	5	91	3'-9"	4	3.91	16													
24B5	4	311	7'-9"	10	8.18	52														
TOTAL								1314												

TYPE "B" MANHOLE BASE FOR SEWERS 24" DIA. & SMALLER

DATE	DESCRIPTION

CITY OF CHICAGO
 DEPARTMENT OF WATER MANAGEMENT
 BUREAU OF ENGINEERING SERVICES

REINFORCEMENT FOR TYPE "A" AND TYPE "B" MANHOLE BASES
 CONTRACT SHEET NO.

SCALE: AS SHOWN

NOTE: THESE DRAWINGS ARE FOR INFORMATIONAL PURPOSES ONLY. ALL REFERENCES TO PAY ITEMS OR PAY LIMITS SHOULD BE IGNORED. SEE SPECIAL PROVISIONS FOR PAY ITEMS.

REVISIONS	
NAME	DATE

ILLINOIS DEPARTMENT OF TRANSPORTATION
 F.A.I. 94 (DAN RYAN EXPRESSWAY)

CITY OF CHICAGO
 DEPARTMENT OF WATER MANAGEMENT
 SEWER RELOCATION DETAIL
 (SHEET 3 OF 9)

SCALE: NONE DRAWN BY: MB
 DATE: OCTOBER 4, 2004 CHECKED BY: MPG

TYLIN INTERNATIONAL