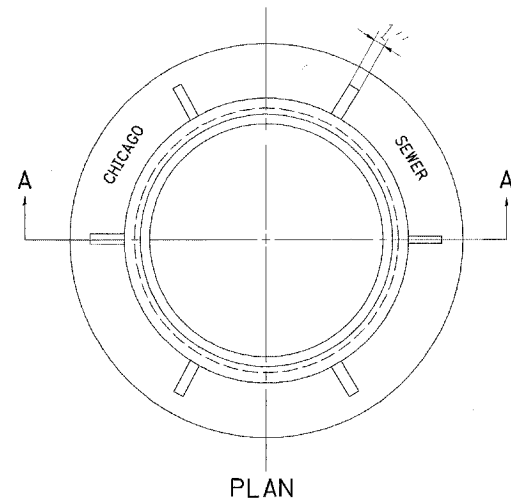


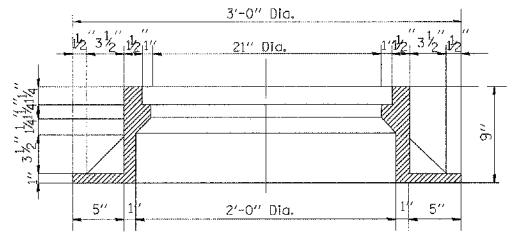
•REF-
•REF-
•REF-

F.A. RTE.	SECTION	COUNTY	TOTAL SHEETS	SHEET NO.
			195	180
STA.	TO STA.			
FED. ROAD DIST. NO. 1 ILLINOIS FED. AID PROJECT				

62872



PLAN

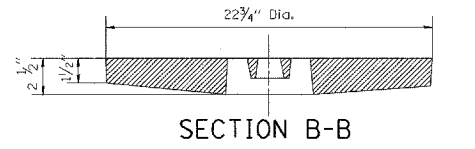


SECTION A-A

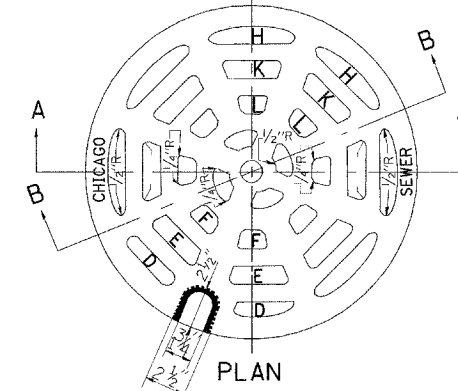
NOTE: Metal Plates Must Be Furnished For Perforated Lids On Manholes

CHICAGO STANDARD MANHOLE FRAME

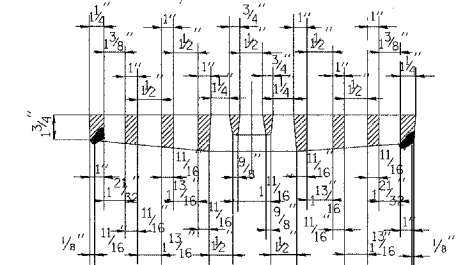
Scale: 1/2"=1'-0"
Material: Cast Iron



SECTION B-B



PLAN



SECTION A-A

PERFORATED LID FOR CATCH BASINS & MANHOLES

Scale: 2"=1'-0"
Material: Cast Iron

SECTION D-D

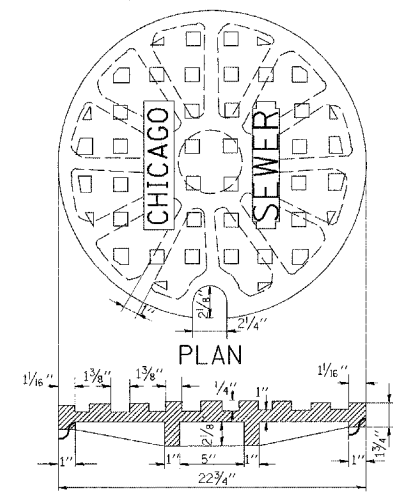
SECTION E-E

SECTION F-F

SECTION H-H

SECTION K-K

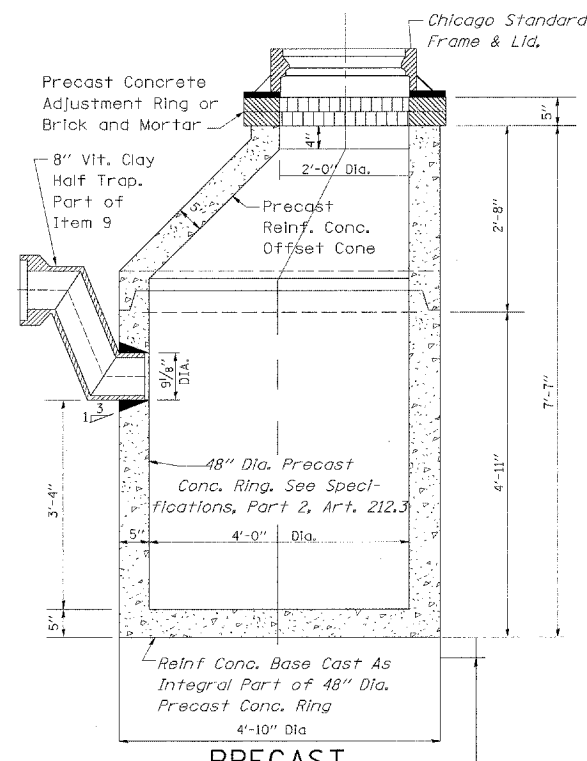
SECTION L-L



SECTION

SOLID LID FOR MANHOLES

Scale: NONE
Material: Cast Iron

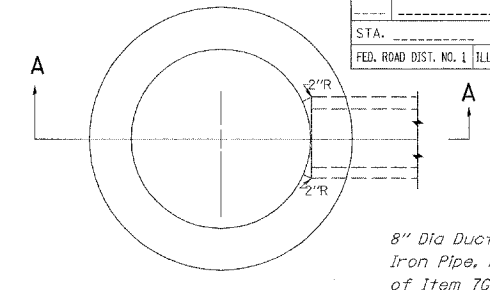


PRECAST

Note:
6" Minimum Granular Embedment Under All Catch Basins

STANDARD CATCH BASINS

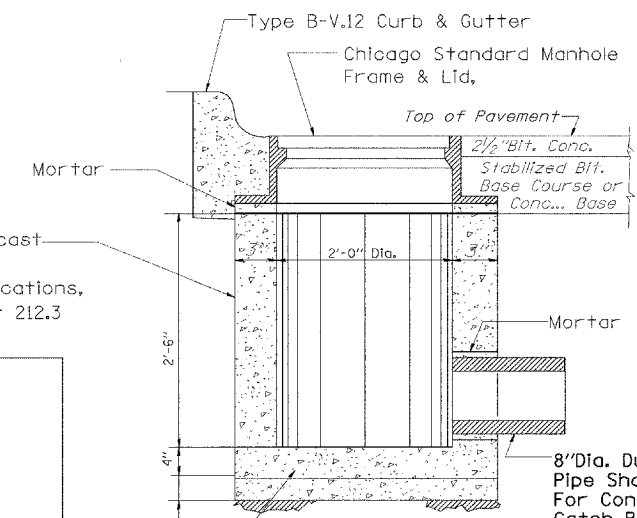
Scale: 3/4"=1'-0"
Item 9



PLAN

(Frame & Lid Not Shown)

8" Dia Ductile Iron Pipe, Part of Item 76

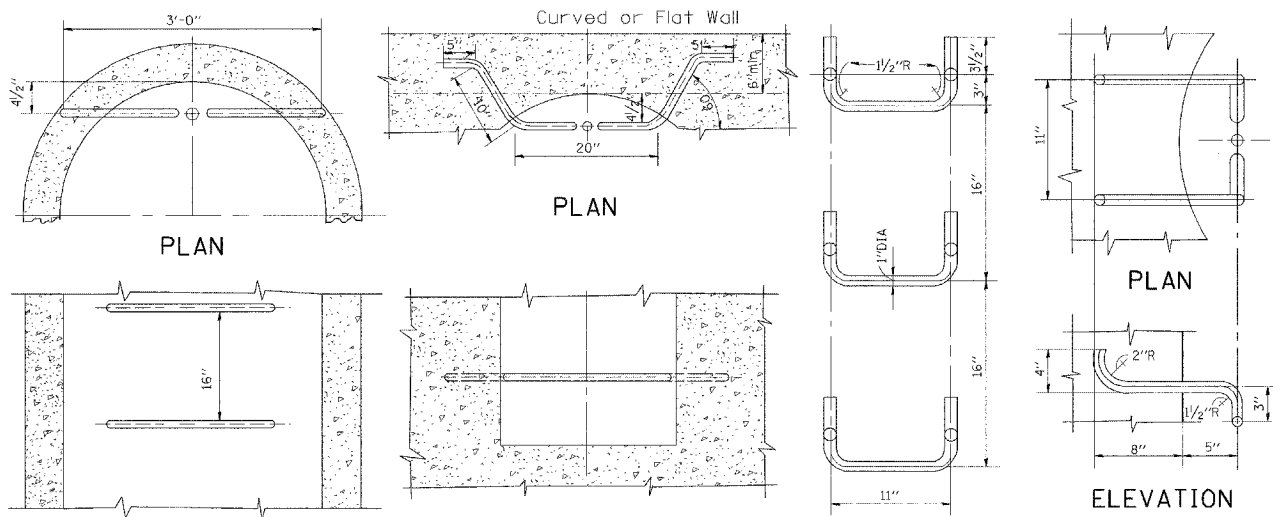


SECTION A-A

STANDARD INLETS

Scale 1"=1'-0"
Item 12
This Inlet Detail Is Sometimes Referred To As "Chicago Standard Inlet, Type A"

NOTE:
INLETS SHALL NOT BE CONSTRUCTED UNLESS IT IS IMPOSSIBLE TO CONSTRUCT A CATCH BASIN. THE CONTRACTOR SHALL HAVE THE DEPARTMENT OF SEWERS APPROVAL BEFORE CONSTRUCTING INLETS



ELEVATION TYPE X

ELEVATION TYPE Y

SPACING HANDHOLD-TYPE Z RUNG

STANDARD LADDER RUNGS

Scale: 1"=1'-0"

Scale: 1"=1'-0"

Scale: 1/2"=1'-0"

All Ladder Rungs Shall Be Aluminum or Galvanized Wrought Iron As Specified in Specifications, Part 2, Article 214.2. Rungs Shall Be 1" Diameter or of A Shape Having An Equivalent Cross-Sectional Area

REVISIONS	
NAME	DATE
M. GOMEZ	01/25/01

CITY OF CHICAGO
DEPARTMENT OF SEWERS
ENGINEERING DIVISION
ILLINOIS DEPARTMENT OF TRANSPORTATION
CITY OF CHICAGO
CATCH BASIN, INLET AND
MANHOLE DETAILS

SCALE: VERT. HORIZ. DATE: 01/25/01 DRAWN BY: CHECKED BY: