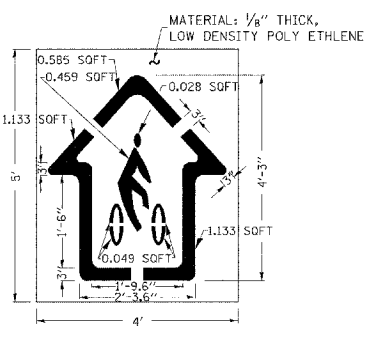
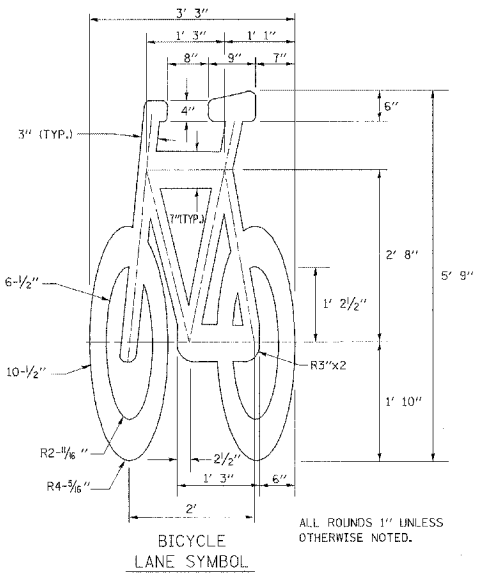
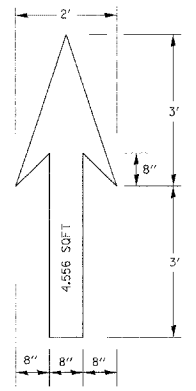
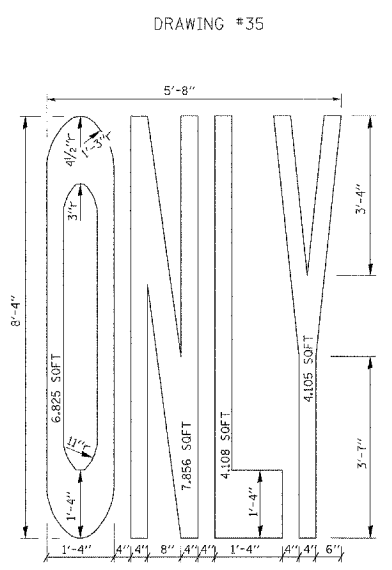
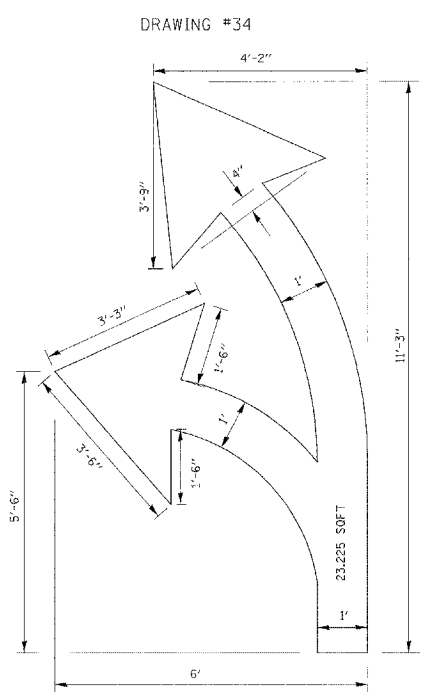
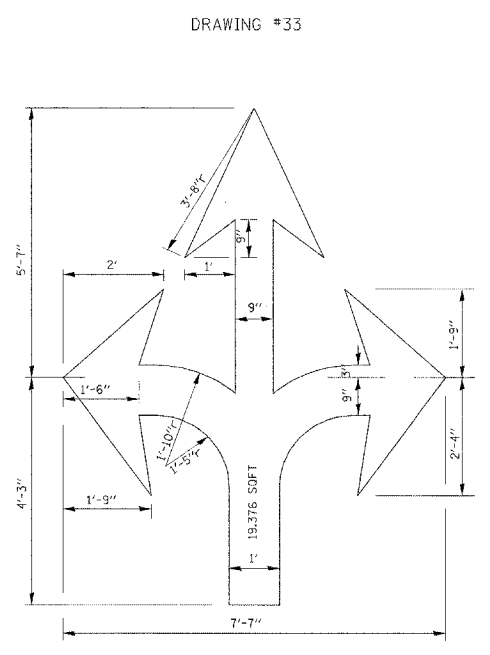
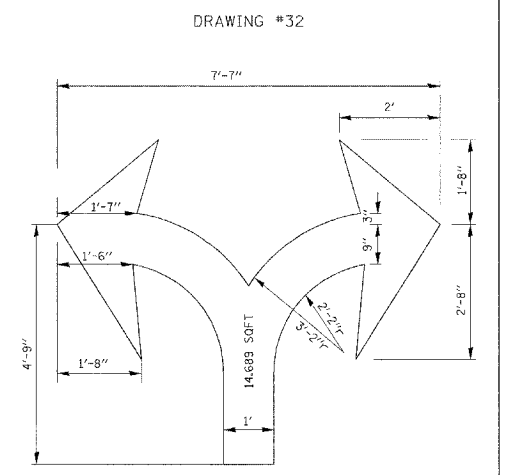
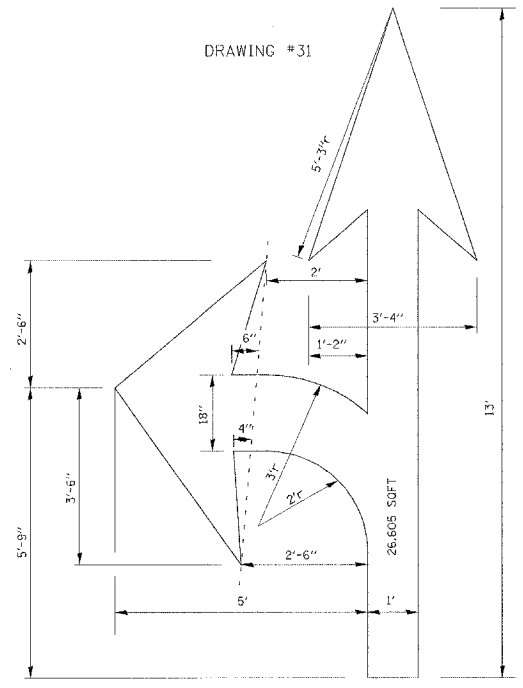
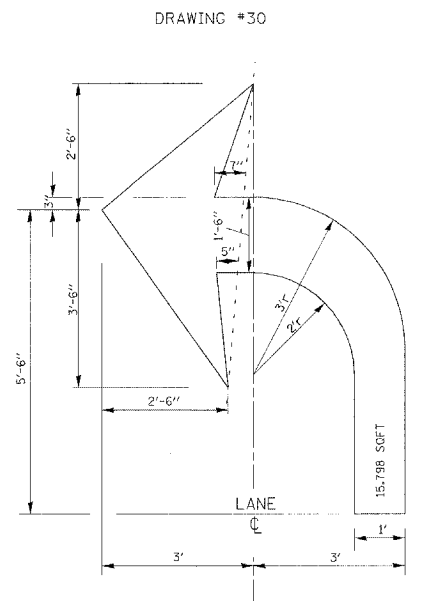
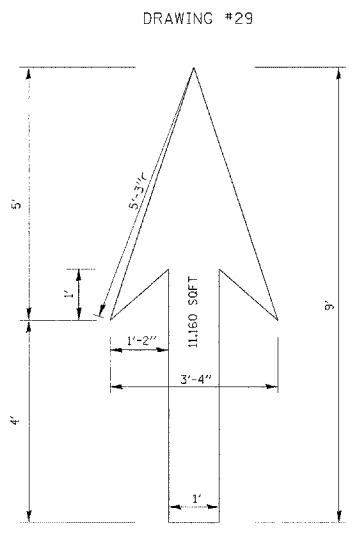


62872



NOTE:
 1.) FOR BIKE LANE SYMBOLS ONLY, USE PRE-FORMED THERMOPLASTIC SYMBOL MANUFACTURED BY 3M, PRODUCT "STAMARK" #3801
 2.) THE RESIDENT ENGINEER SHALL CONTACT MR. BEN COMBERG AT 312-744-8093 AT LEAST ONE CALENDAR WEEK PRIOR TO INSTALLING BIKE LANE SYMBOLS.

TYPICAL BIKE LANE SYMBOLS
DRAWING #28



NOTE:
ALL MARKINGS SHALL BE SOLID WHITE UNLESS OTHERWISE NOTED IN THE PLANS

REVISIONS	
NAME	DATE
T. RAMMACHER	12/07/00

ILLINOIS DEPARTMENT OF TRANSPORTATION
 CITY OF CHICAGO
 TYPICAL PAVEMENT MARKINGS.

SCALE: NONE
 DATE ##DATE##
 DRAWN BY
 CHECKED BY