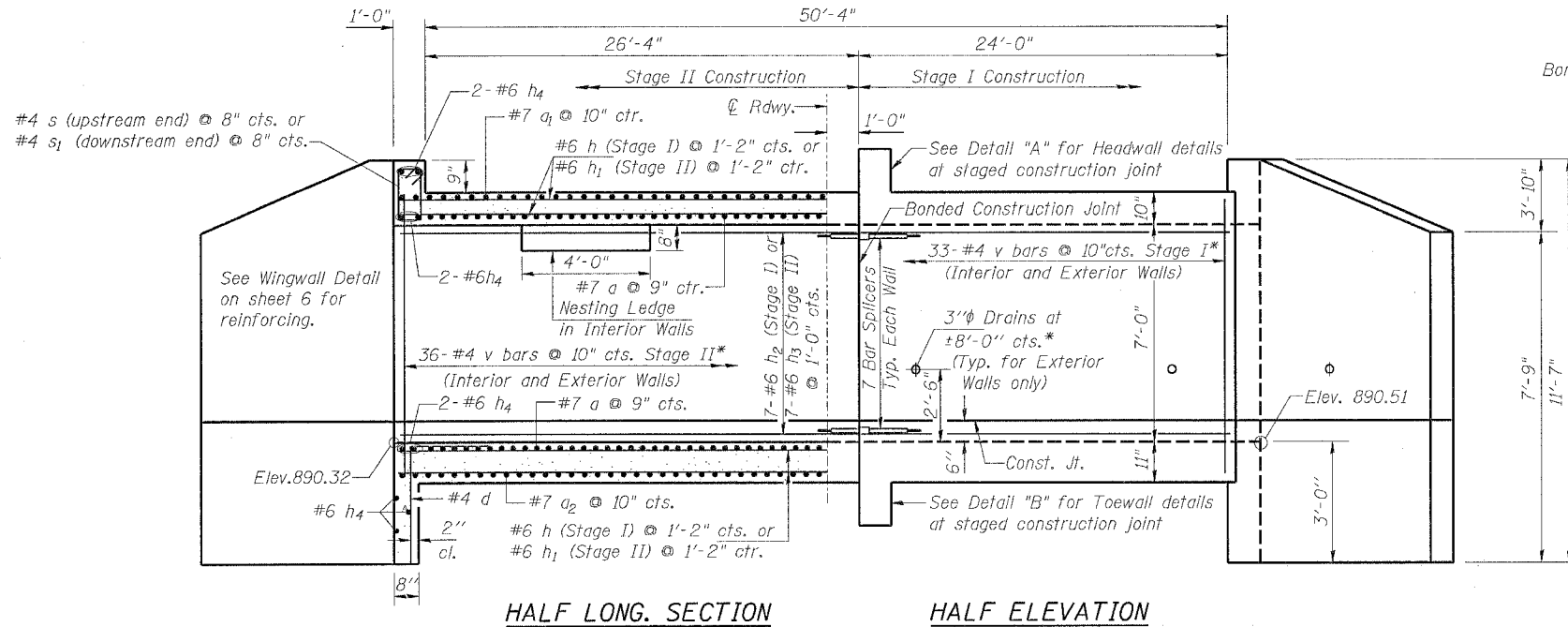


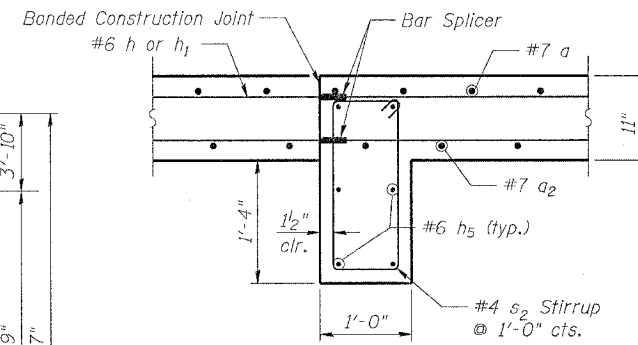
STATE OF ILLINOIS  
DEPARTMENT OF TRANSPORTATION

ROUTE NO.	SECTION	COUNTY	TOTAL SHEETS	SHEET NO.	SHEET NO. 5 OF 8 SHEETS
S.B.I. 5 F.A. 301	23BR-2	JO DAVIESS	30	13	
FED. ROAD DIST. NO. 7	ILL. INDS.	FED. AID PROJECT-			

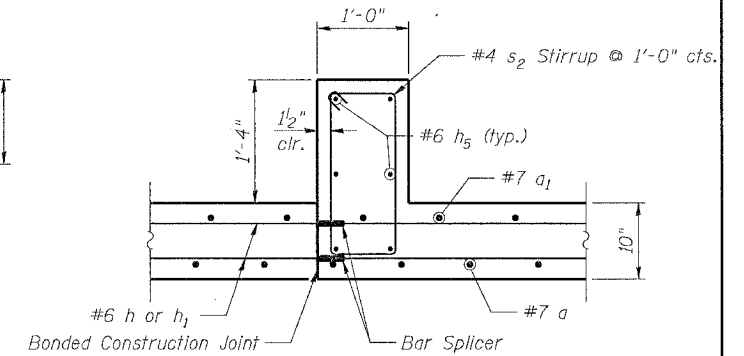


**HALF LONG. SECTION**      **HALF ELEVATION**

Dimensions are at right angles to  $\phi$  Roadway (unless otherwise noted)  
\*Spacing measured parallel to barrel.



**DETAIL "B"**

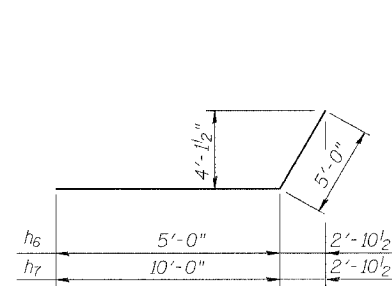


**DETAIL "A"**

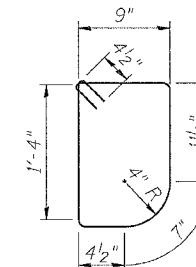
Note: For Bar Splicer Details see sheet 7.

**BILL OF MATERIAL**

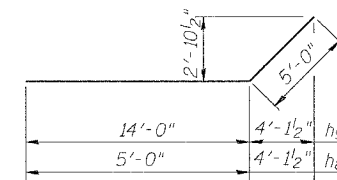
Bar	No.	Size	Length	Shape
a	138	#7	35'-9"	U
a1	65	#7	24'-8"	—
a2	65	#7	34'-1"	—
d	68	#4	4'-6"	L
h	106	#6	26'-6"	—
h1	106	#6	28'-10"	—
h2	28	#6	26'-4"	—
h3	28	#6	28'-10"	—
h4	18	#6	34'-2"	—
h5	12	#6	34'-2"	—
h6	34	#6	10'-0"	—
h7	26	#6	15'-0"	—
h8	32	#9	10'-0"	—
h9	24	#9	19'-0"	—
s	51	#4	4'-9"	□
s1	51	#4	4'-9"	□
s2	70	#4	5'-9"	□
v	284	#4	8'-5"	—
v1	46	#4	11'-3"	—
Bar Splicers			Each	136
Concrete Box Culverts			Cu. Yd.	181.2
Reinforcement Bars			Pound	37,197



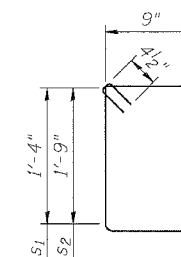
**BARS h6 & h7**



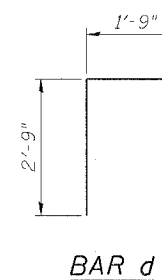
**BAR s**



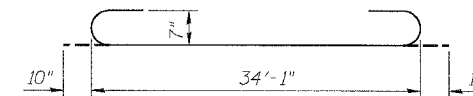
**BARS h8 & h9**



**BARS s1 & s2**



**BAR d**



**BAR a**

**BOX CULVERT DETAILS**  
U.S. 20 OVER YELLOW CREEK TRIBUTARY  
FA ROUTE 301 SECTION 23BR-2  
JO DAVIESS COUNTY  
STATION 123+36.00  
STRUCTURE NUMBER 043-2006

DESIGNED	L.C.M.	20
CHECKED	S.D.K.	EXAMINED
DRAWN	T.L.N.	PASSED
CHECKED	S.D.K.	ENGINEER OF BRIDGE DESIGN
		ENGINEER OF BRIDGES AND STRUCTURES

