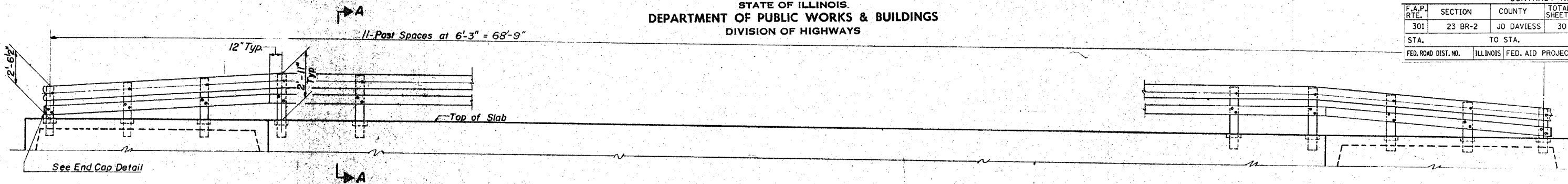


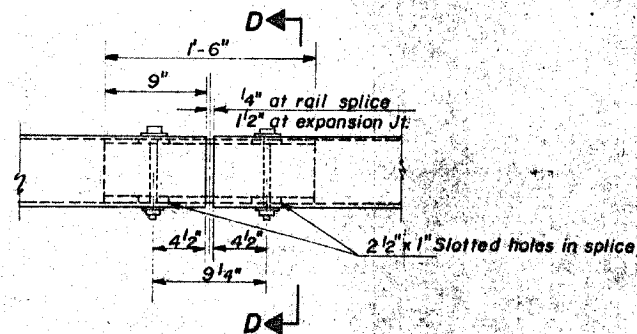
STATE OF ILLINOIS
DEPARTMENT OF PUBLIC WORKS & BUILDINGS
DIVISION OF HIGHWAYS

CONTRACT NO. 64412

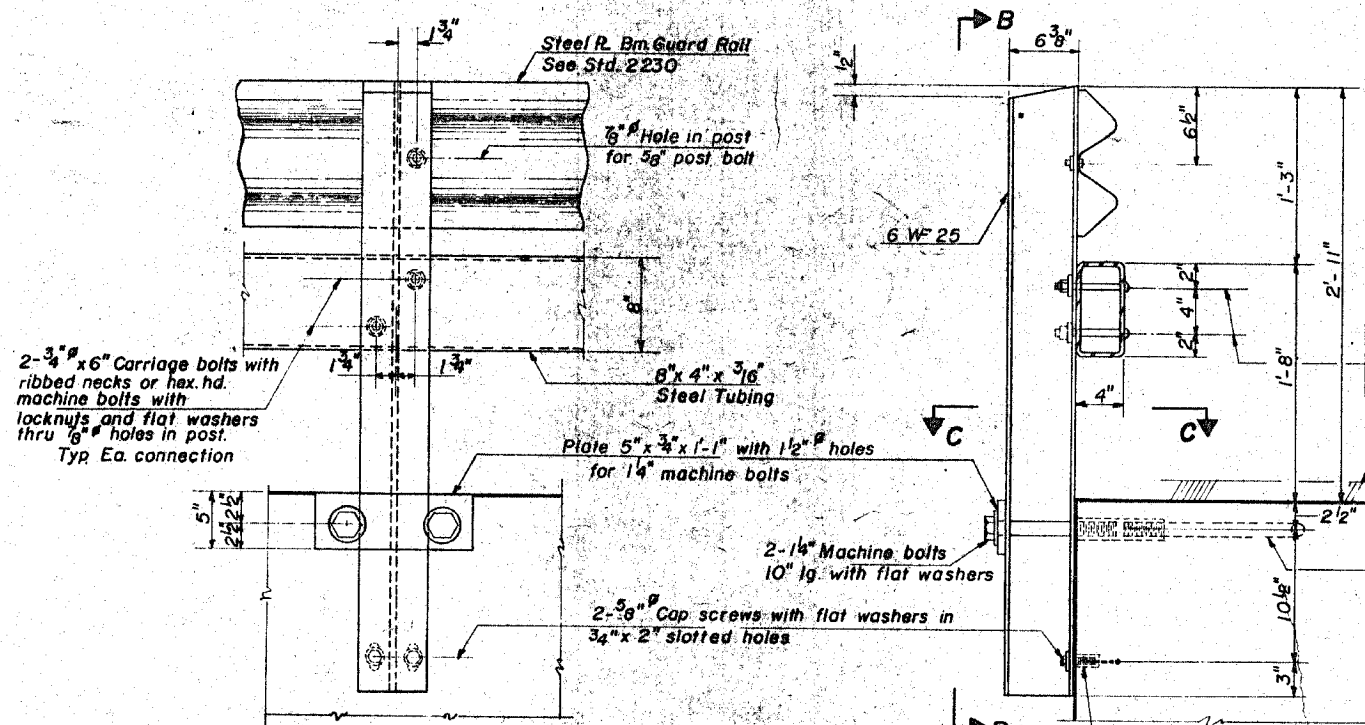
F.A.P. RTE.	SECTION	COUNTY	TOTAL SHEETS	SHEET NO.
301	23 BR-2	JO DAVIESS	30	20
STA.		TO STA.		
FED. ROAD DIST. NO.	ILLINOIS	FED. AID PROJECT		



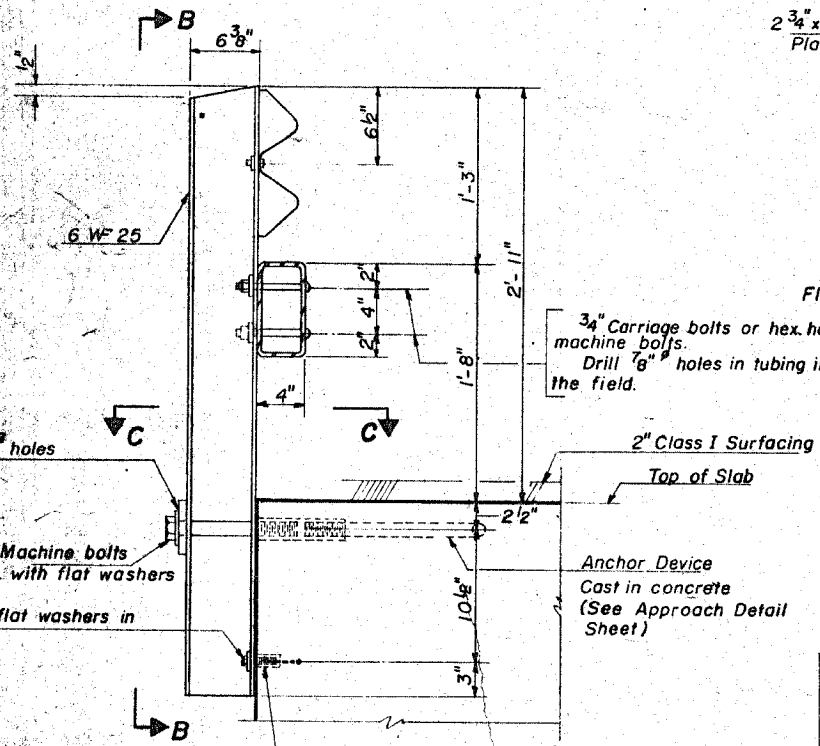
ELEVATION
Showing inside face of railing



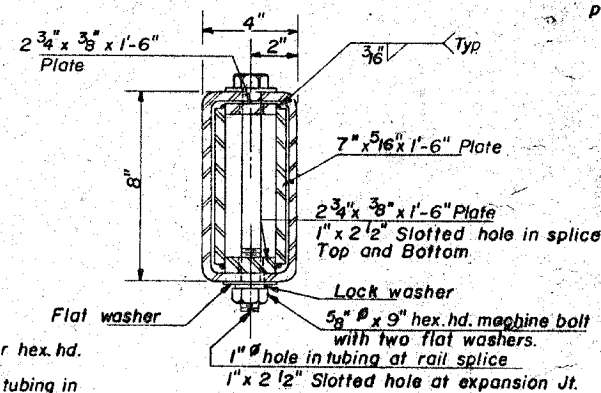
RAIL SPLICE



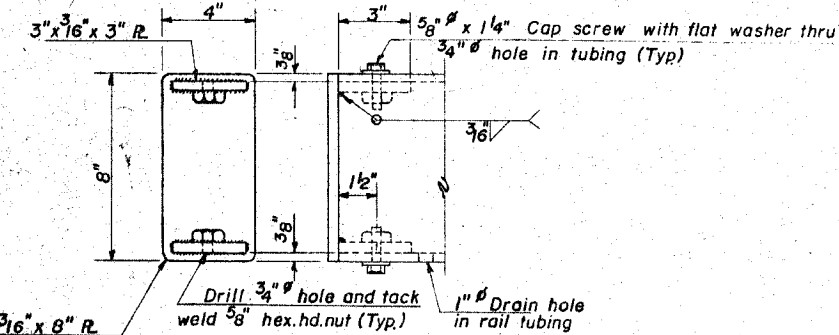
VIEW B-B



SECTION A-A



SECTION D-D



END CAP DETAIL

4 - Required

BILL OF MATERIAL

Item	Unit	Quantity
STEEL RAILING, TYPE W	Lin. Ft.	138

DESIGNED	James Pence
CHECKED	Jack Ametring
DRAWN	A. Barraza
CHECKED	JP

EXAMINED	Aug. 7 1965
PASSED	W. B. [Signature]
APPROVED	Richard H. [Signature]

SECTION C-C

**TYPE W
STEEL RAILING**

S.B.I. RT. 5 SEC. 23BR
JO DAVIESS COUNTY
STA. 123 + 25