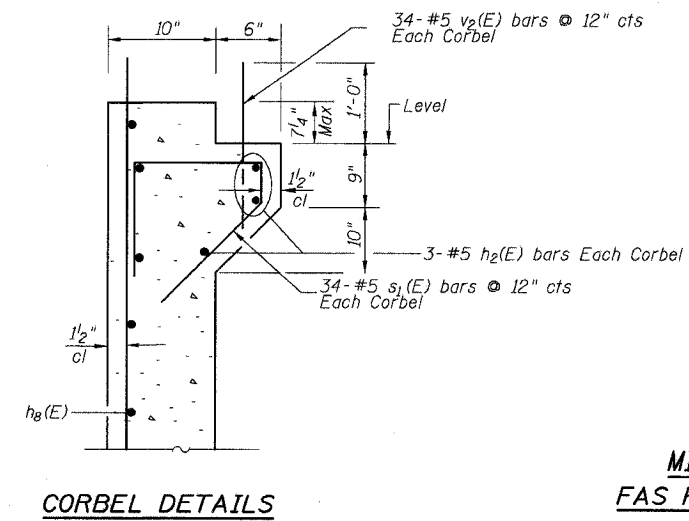
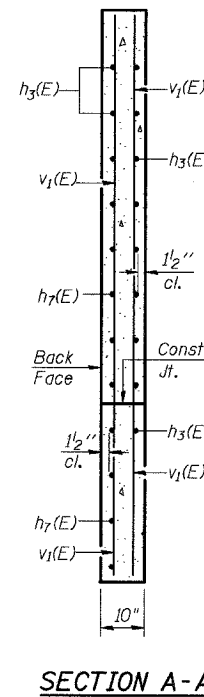
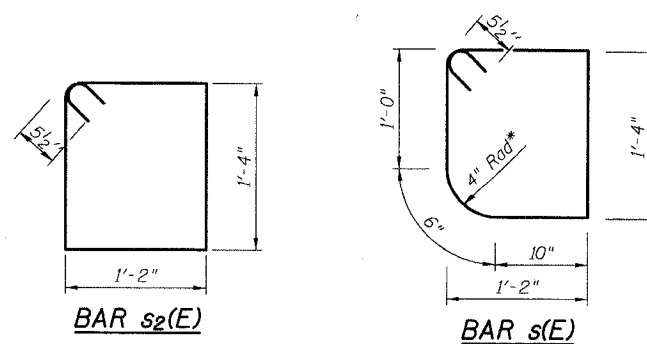
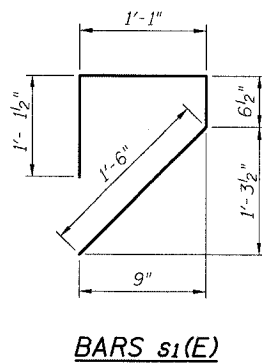
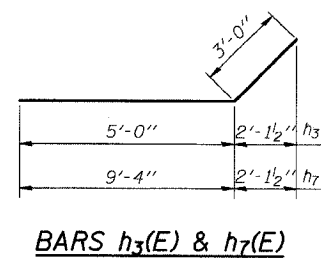
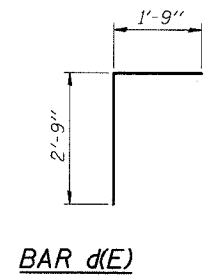
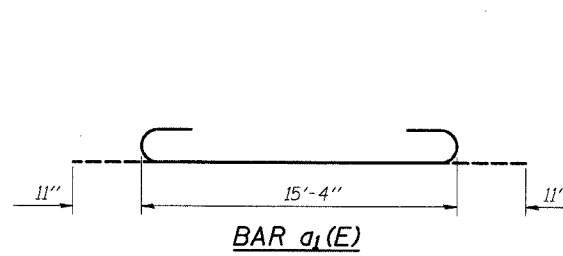
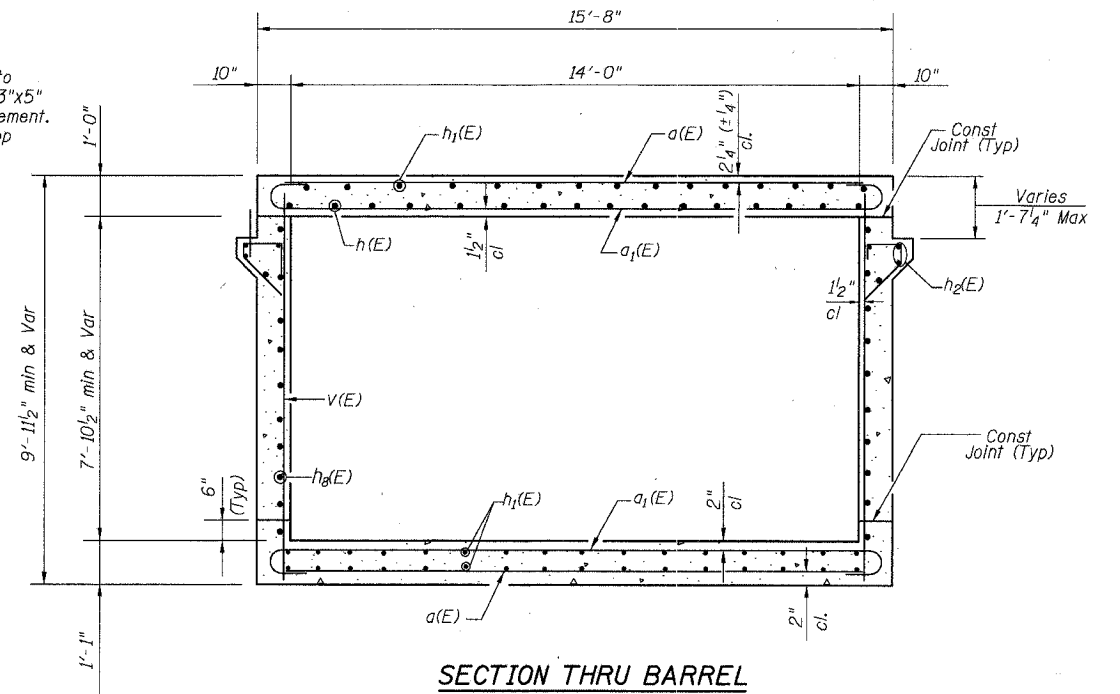
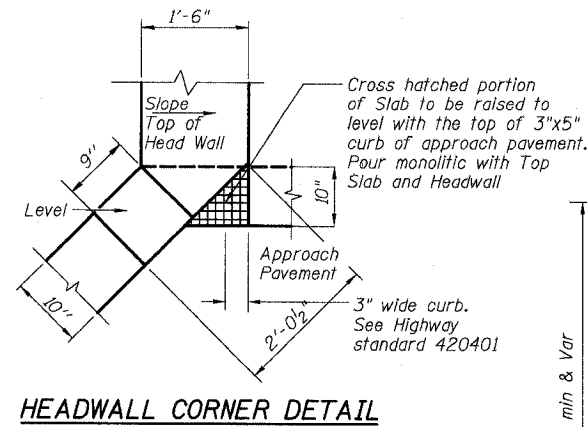
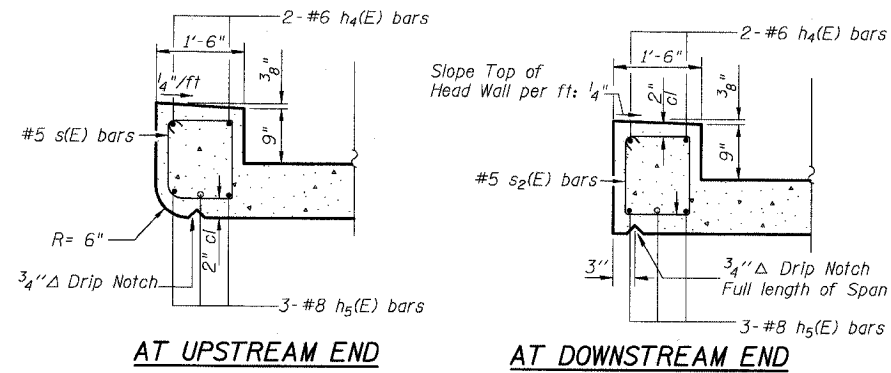


STATE OF ILLINOIS
DEPARTMENT OF TRANSPORTATION

ROUTE NO.	SECTION	COUNTY	TOTAL SHEETS	SHEET NO.	SHEET NO.
FAS 1197	105-T	Whiteside	59	29	5 SHEETS
REG. ROAD DIST. NO. 7		ILLINOIS	FED. AID PROJECT-		64421



DESIGNED	-	K.R.G.
CHECKED	-	J.L.K.
DRAWN	-	M.D.
CHECKED	-	J.L.K.

MISCELLANEOUS DETAILS
FAS ROUTE 1197 - SECTION 105-T
WHITESIDE COUNTY
STATION 428+13.00
STRUCTURE NO. 098-1013

MID-AMERICA ENGINEERING SERVICES
975 South Durkan Dr, Springfield IL 62704

Work this Sheet with Sheet No. 2 of 5.