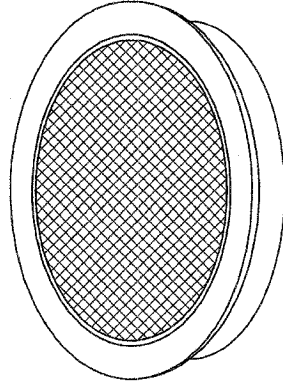
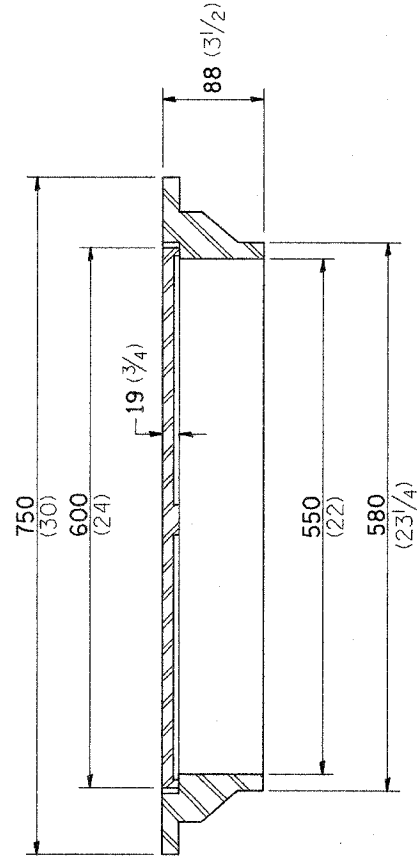


# FIELD TILE JUNCTION VAULTS 600 (24) AND 900 (36) DIA.

F.A. RITE.	SECTION	COUNTY	TOTAL SHEETS	SHEET NO.
1197	105 BR-2 & 10	WHITESIDE	59	42A
STA. 224+00 & 429+00 TO STA. 232+00 & 425+3				
FED. ROAD DIST. NO. 7 ILLINOIS FED. AID PROJECT				

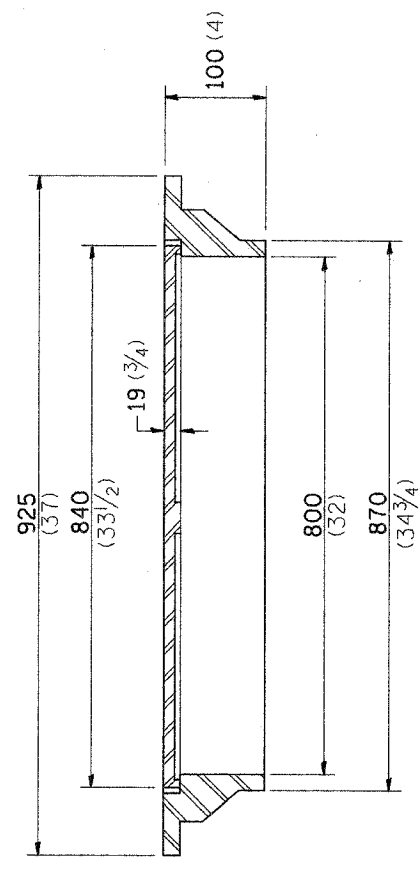


FRAME & LID FOR  
600 (24) VAULT

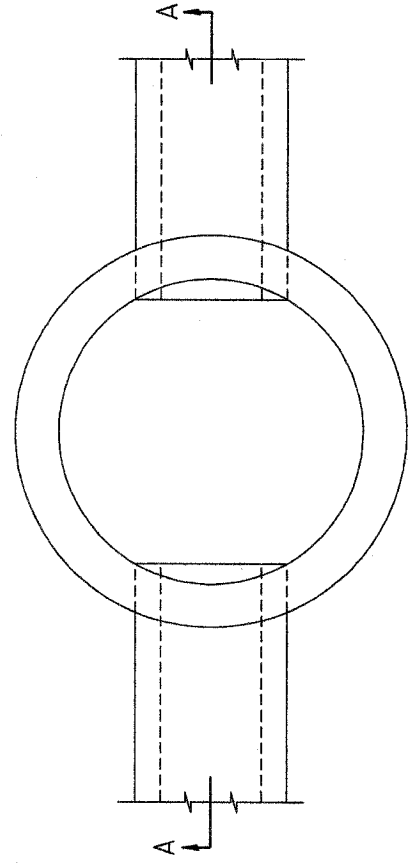


TOTAL WEIGHT: 66 Kg (146 lbs)

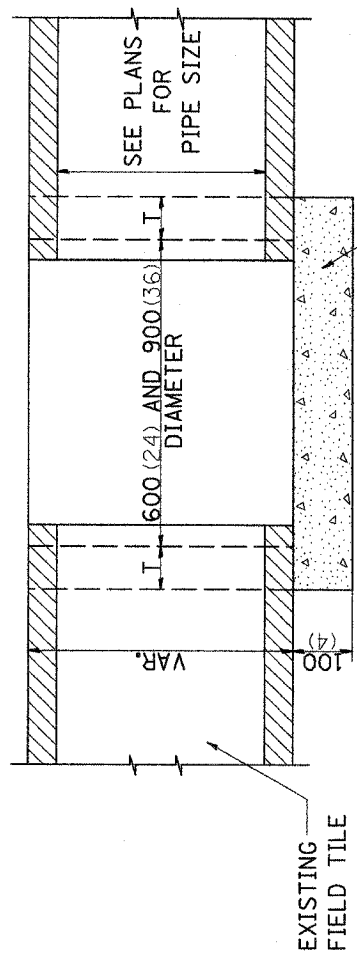
FRAME & LID FOR  
900 (36) VAULT



TOTAL WEIGHT: 127 Kg (280 lbs)



PLAN

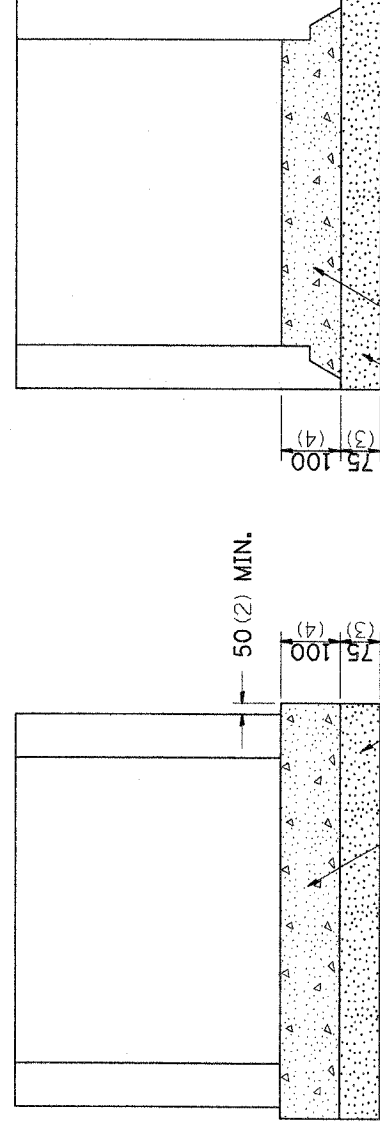


CAST-IN-PLACE CONCRETE  
SECTION A-A

ALTERNATE MATERIALS FOR WALLS	T
BRICK MASONRY	200 (8)
CAST-IN-PLACE CONCRETE	150 (6)
CONCRETE MASONRY UNIT	125 (5)
PRECAST REINFORCED CONCRETE SECTION	75 (3)

NOTE: THE FRAME AND LID IS REQUIRED ON ALL JUNCTION VAULTS.

ALL DIMENSIONS ARE IN MILLIMETERS (INCHES) UNLESS OTHERWISE SHOWN.



ALTERNATE METHODS