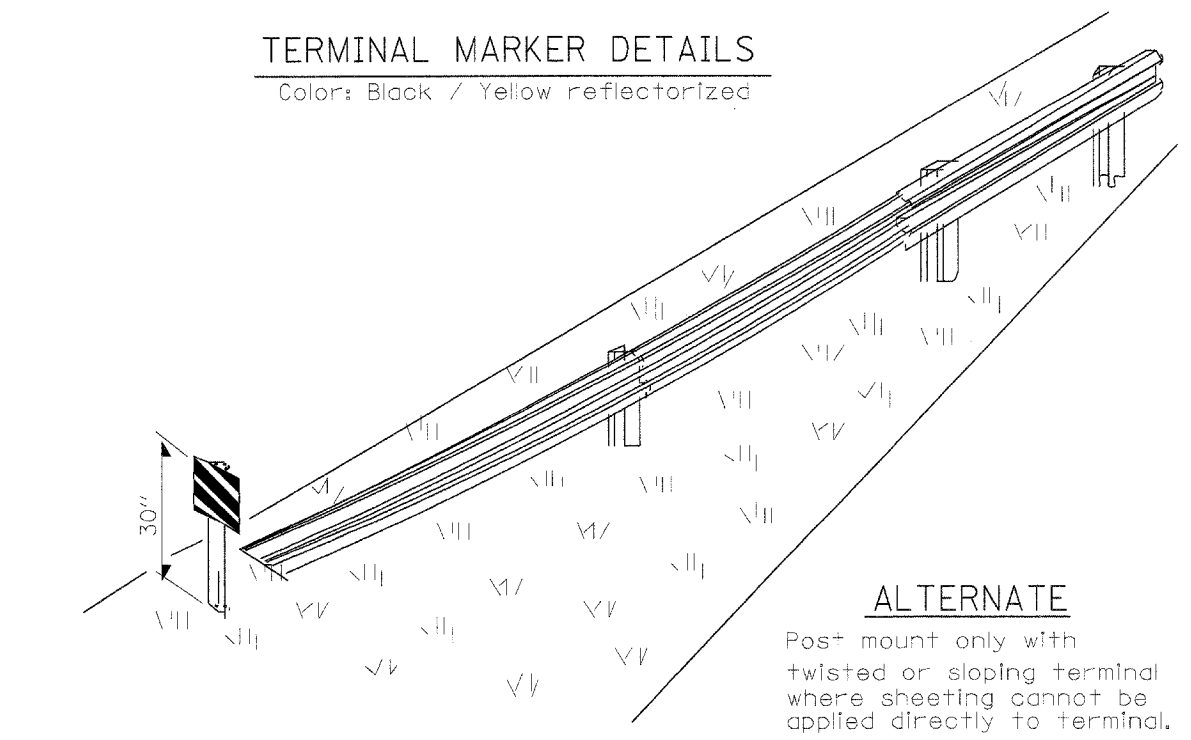
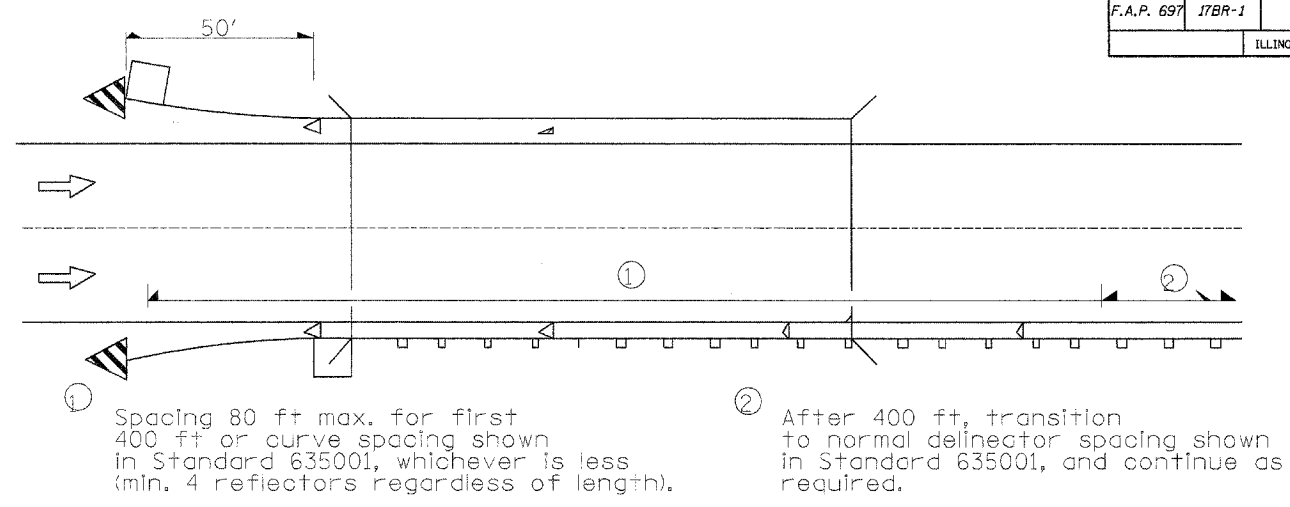


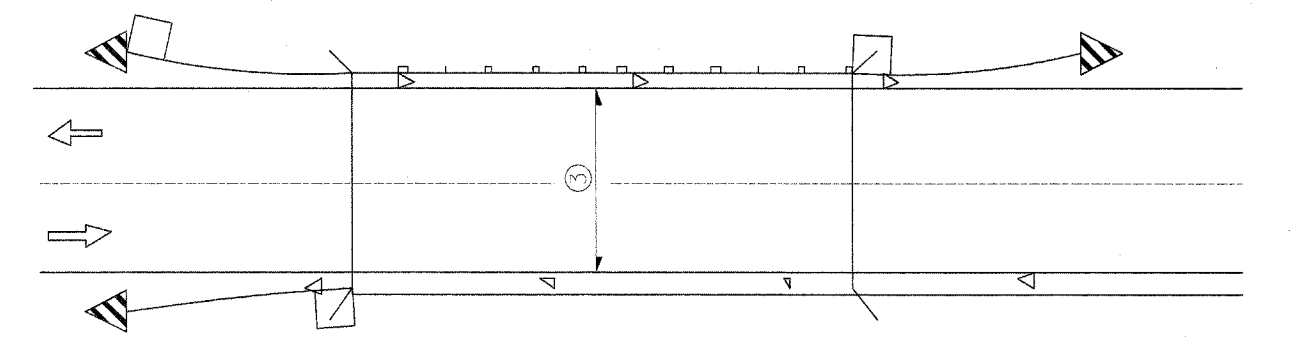
**TERMINAL MARKER DETAILS**  
Color: Black / Yellow reflectorized



**ALTERNATE**  
Post mount only with twisted or sloping terminal where sheeting cannot be applied directly to terminal.



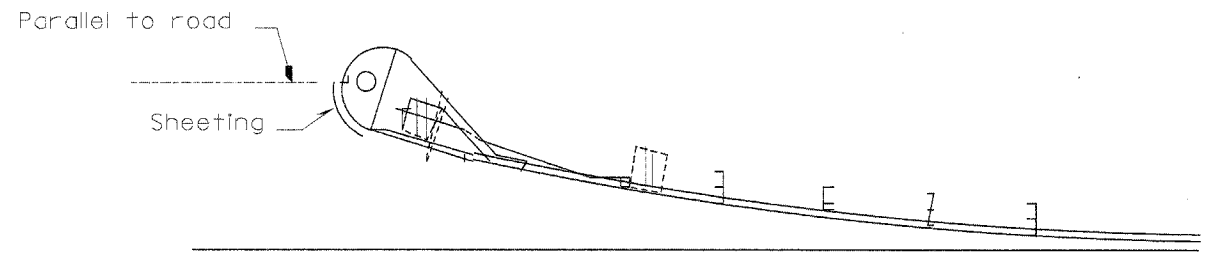
ONE-WAY TRAFFIC



TWO-WAY TRAFFIC

- ◁ Monodirectional silver
- ▷ Monodirectional amber
- ▤ Terminal Marker - Black/Yellow Left or Right as appropriate

**GUARDRAIL / BARRIER WALL / BRIDGE RAIL REFLECTORS**



SHEETING POSITION: CASE II

**REFLECTOR AND TERMINAL MARKER PLACEMENT 635-1**

**MISCELLANEOUS DETAILS**

FAP 697 (IL. RTE. 9) OVER  
WALL TOWN DRAINAGE DITCH  
SECTION 17BR-1  
FORD COUNTY  
S.N. 027-0094

4440 ASH GROVE  
SPRINGFIELD, IL 62707  
(217) 793-8600  
oasino@famvid.com

**OZYURT AND STONE, INC.**  
CONSULTING ENGINEERS

JOB NO.: 0306.2  
FILE: DET04.DGN  
DATE: 08-17-04