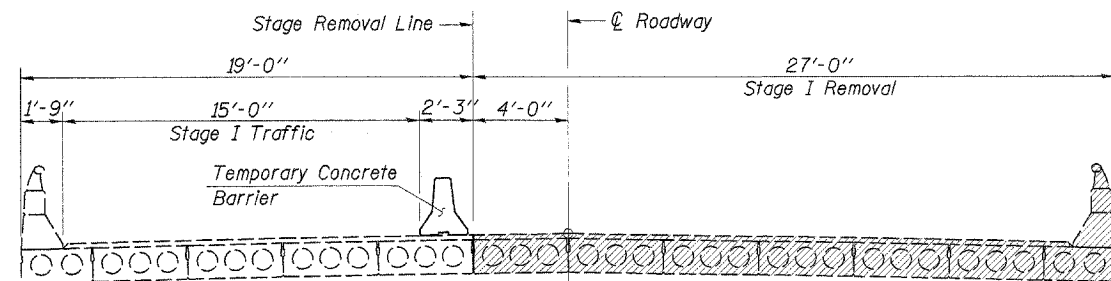
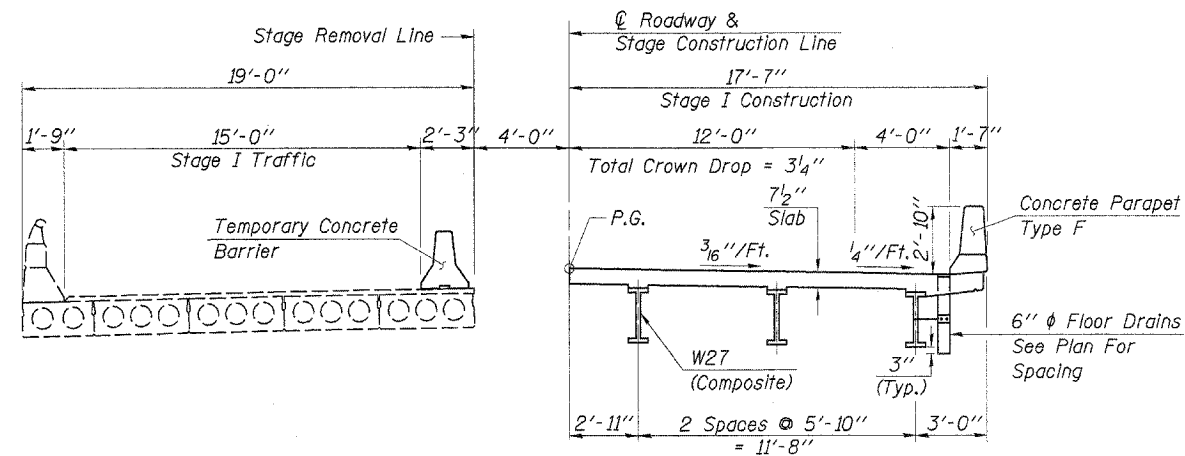


EXISTING CROSS SECTION
(Looking Southeast)

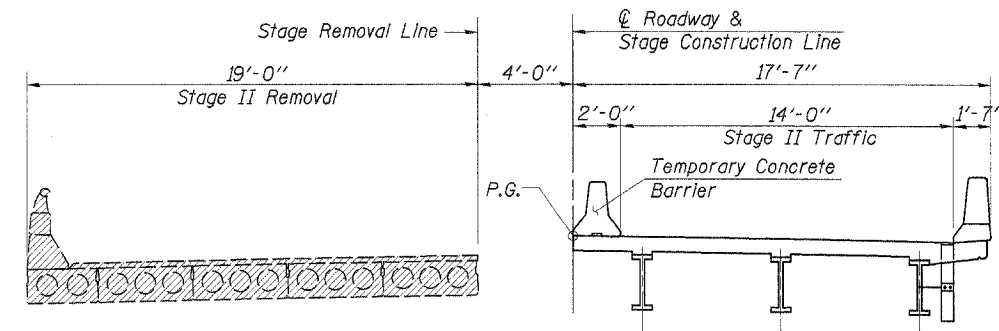
Note: Existing Structure dimensions shown are from design plans and are subject to nominal construction variations.



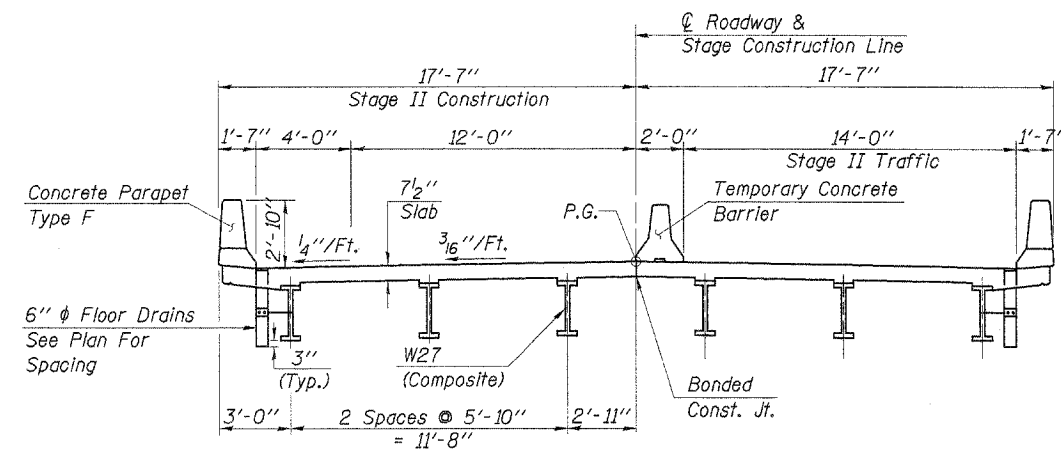
STAGE I REMOVAL
(Looking Southeast)



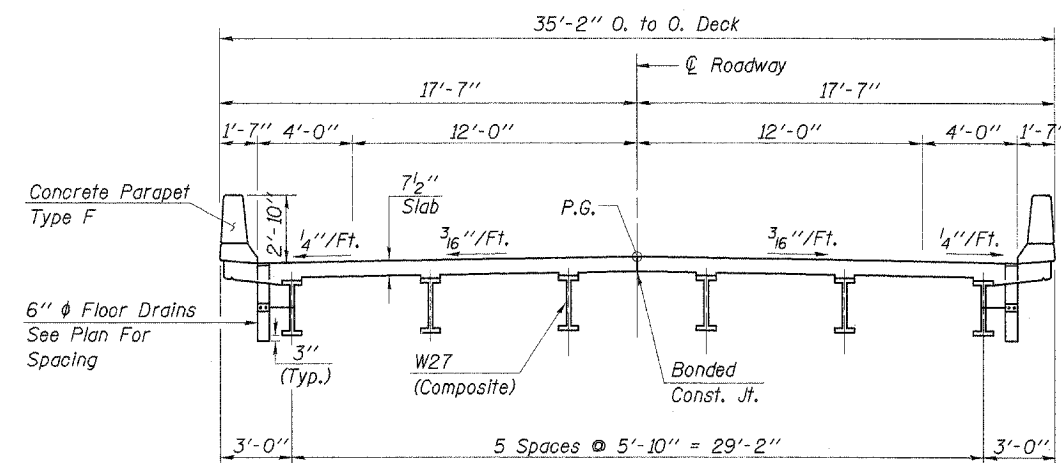
STAGE I CONSTRUCTION
(Looking Southeast)



STAGE II REMOVAL
(Looking Southeast)



STAGE II CONSTRUCTION
(Looking Southeast)



PROPOSED CROSS SECTION
(Looking Southeast)

DESIGNED	P.S.L.
CHECKED	A.R.K. & F.J.S.
DRAWN	K.T.R.
CHECKED	P.S.L. & A.R.K.

STAGE CONSTRUCTION DETAILS
 IL. RTE. 9 OVER WALL TOWN DRAINAGE DITCH
 FAP ROUTE 697 - SECTION 17BR-1
 FORD COUNTY
 STATION 993+80.38
 S.N. 027-0094

4440 ASH GROVE
 SPRINGFIELD, IL. 62707
 (217) 793-8600
 oasinc@famvid.com

OZYURT AND STONE, INC.
 CONSULTING ENGINEERS

JOB NO.: 0306.2
 FILE: STAGING.D
 DATE: 06-08-04