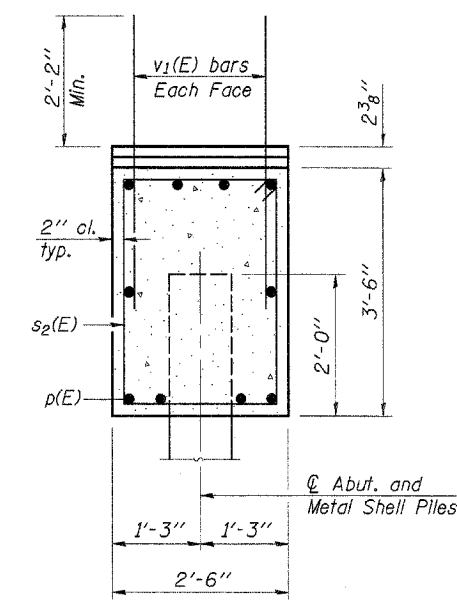
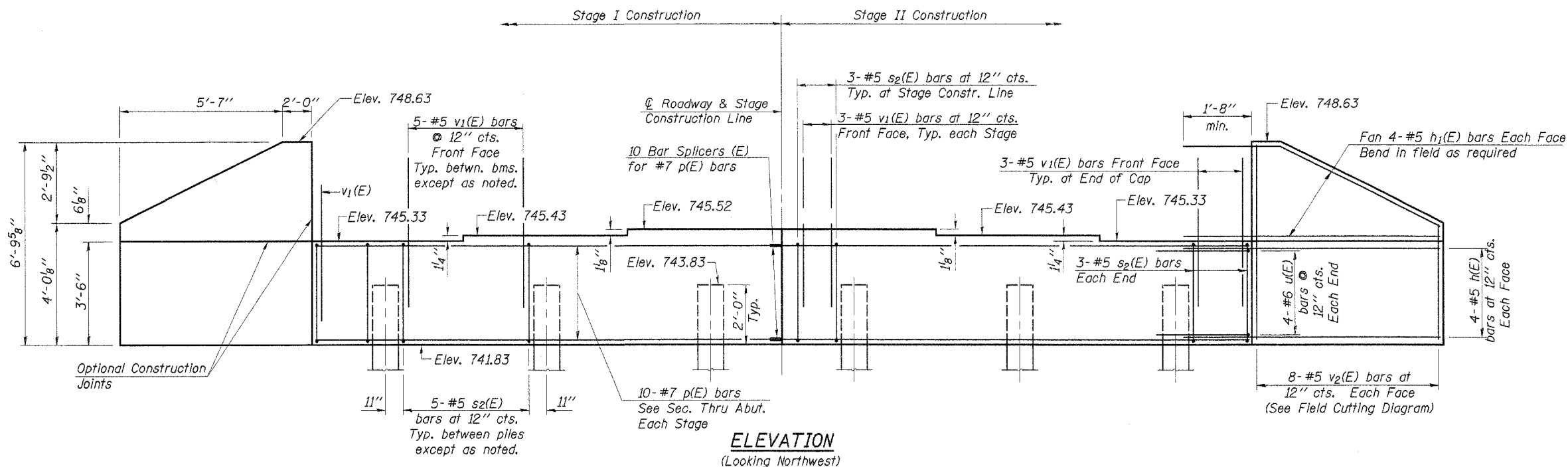


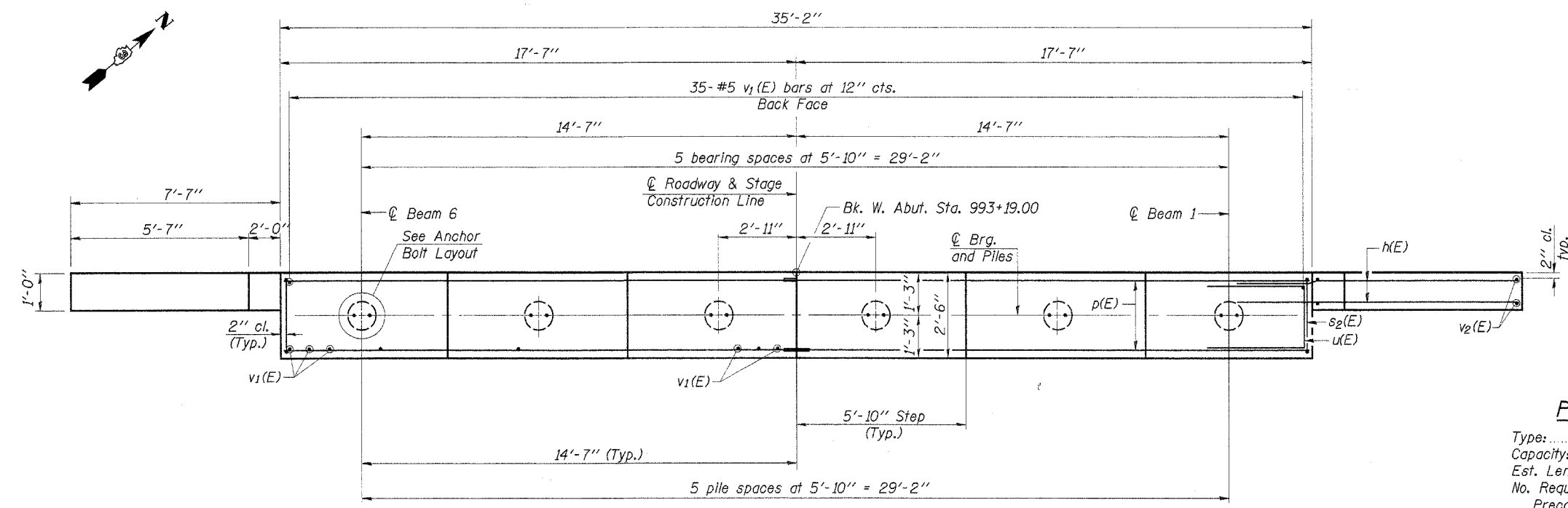
Note: Pour steps monolithically with cap.
 Reinforcement bars designated (E) shall be epoxy coated.
 Space reinforcement in cap to miss dowel bars and anchor bolts.

ROUTE NO.	SECTION	COUNTY	TOTAL SHEETS	SHEET NO.
FAP 697	17BR-1	FORD	42	3

ILLINOIS
 CONTRACT NO. 66363
 Sheet 13 of 20



SEC. THRU ABUT.



PLAN

WEST ABUTMENT
 BILL OF MATERIAL

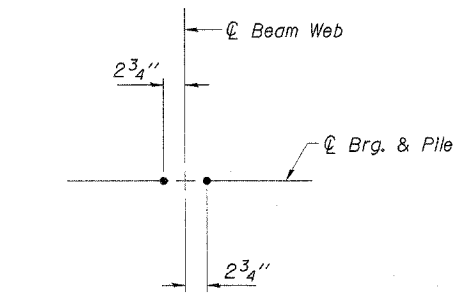
Bar	No.	Size	Length	Shape
v1(E)	16	#5	9'-1"	—
v2(E)	16	#5	9'-7"	—
p(E)	20	#7	17'-4"	—
s2(E)	32	#5	11'-7"	□
u(E)	8	#6	12'-1"	□
v1(E)	67	#5	4'-4"	—
v2(E)	16	#5	10'-2"	—
Concrete Structures			Cu. Yd.	14.7
Reinforcement Bars, Epoxy Coated			Pound	2,020
Structure Excavation			Cu. Yd.	115
Furnishing Metal Pile Shells 14"			Foot	250
Driving & Filling Shells			Foot	250
Test Pile Metal Shells			Each	1

See Sheet 16 of 20 for Bar Splicer Details.

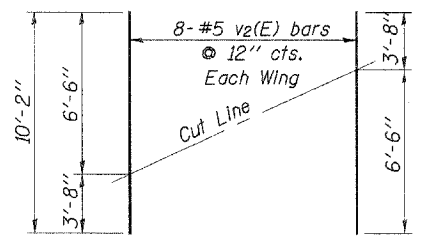
PILE DATA

Type:.....Metal Shell
 Capacity:.....43 Tons
 Est. Length:.....50 Ft./Pile
 No. Required:.....6*
 Precore holes to Elev. 719.3 before driving piles.

*Includes one test pile to be driven in a permanent location at the West abutment.

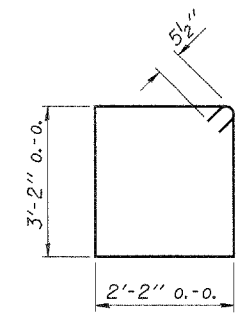


TYP. ANCHOR BOLT LAYOUT

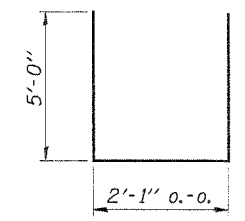


FIELD CUTTING DIAGRAM

Order v2(E) full length. Cut as shown and use remainder of bars in opposite face.



BAR s2(E)



BAR u(E)

DESIGNED	P.S.L.
CHECKED	A.R.K. & F.J.S.
DRAWN	K.T.R.
CHECKED	P.S.L. & A.R.K.
AI-O	9-01-03

WEST ABUTMENT
 IL. RTE. 9 OVER WALL TOWN DRAINAGE DITCH
 FAP ROUTE 697 - SECTION 17BR-1
 FORD COUNTY
 STATION 993+80.38
 S.N. 027-0094

4440 ASH GROVE
 SPRINGFIELD, IL. 62707
 (217) 798-8600
 casinc@tamvid.com

OZYURT AND STONE, INC.
 CONSULTING ENGINEERS

JOB NO.: 0306.2
 FILE: ABUT01.DG
 DATE: 06-08-04