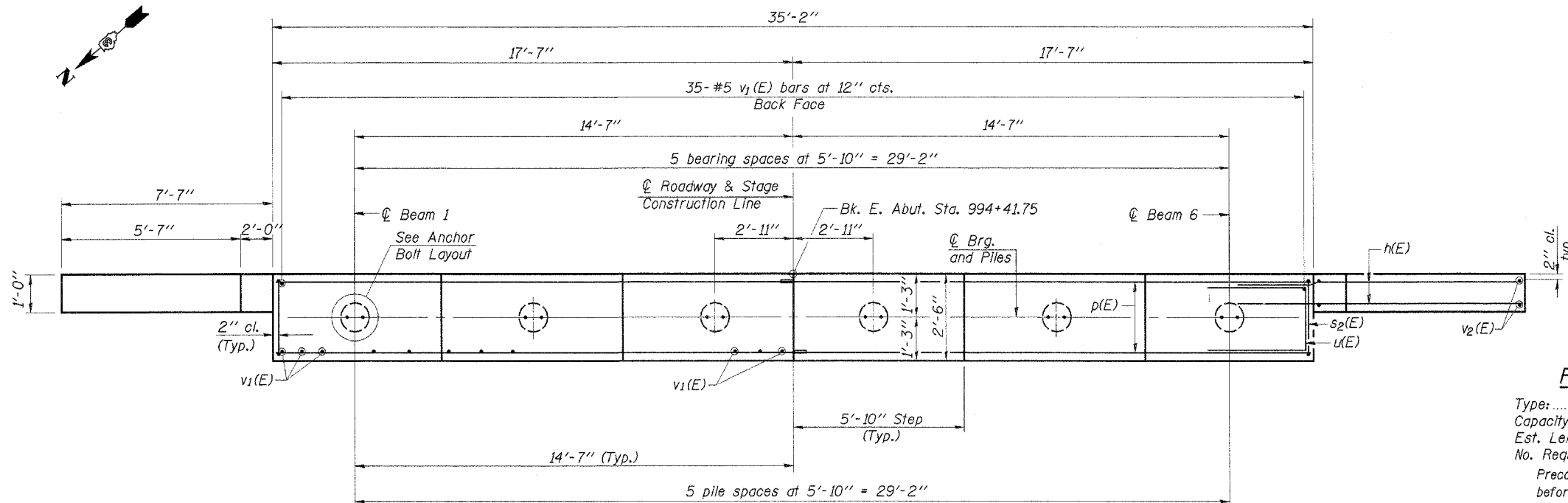
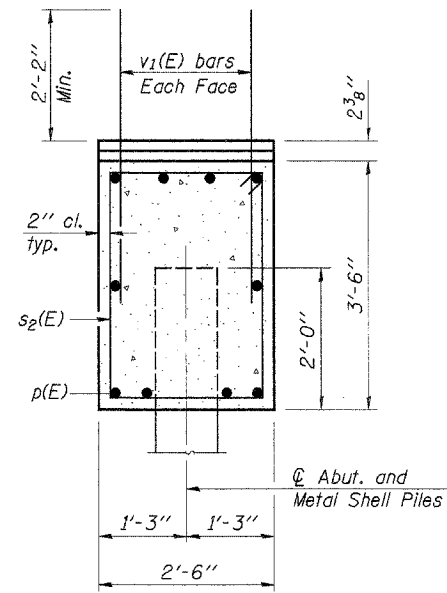
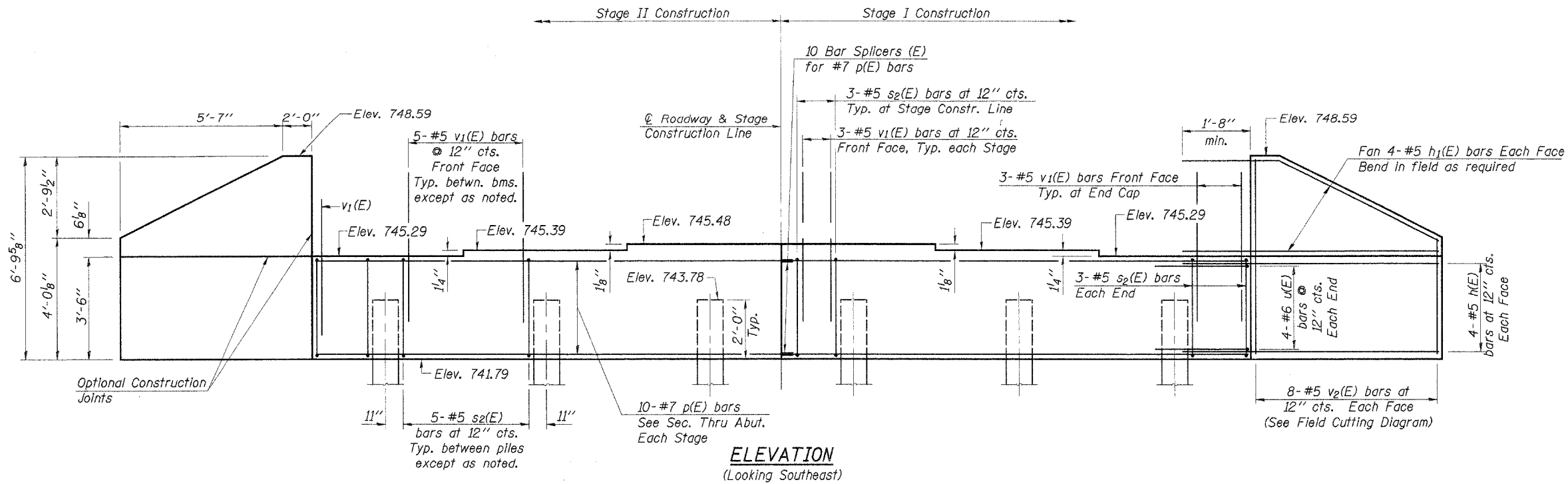


Note: Pour steps monolithically with cap.
Reinforcement bars designated (E) shall be epoxy coated.
Space reinforcement in cap to miss dowel bars and anchor bolts.



**EAST ABUTMENT
BILL OF MATERIAL**

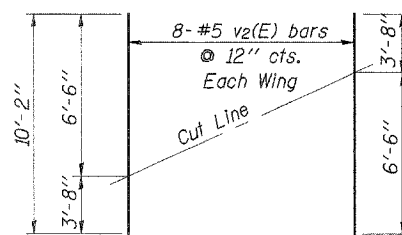
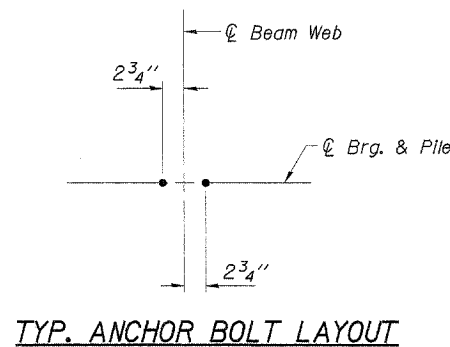
Bar	No.	Size	Length	Shape
h(E)	16	#5	9'-1"	—
h1(E)	16	#5	9'-7"	—
p(E)	20	#7	17'-4"	—
s2(E)	32	#5	11'-7"	□
u(E)	8	#6	12'-1"	—
v1(E)	67	#5	4'-4"	—
v2(E)	16	#5	10'-2"	—
Concrete Structures			Cu. Yd.	14.7
Reinforcement Bars, Epoxy Coated			Pound	2,020
Structure Excavation			Cu. Yd.	115
Furnishing Metal Pile Shells 14"			Foot	275
Driving & Filling Shells			Foot	275
Test Pile Metal Shells			Each	1

PILE DATA

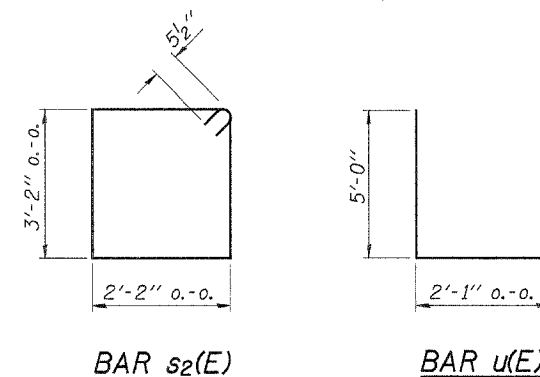
Type: Metal Shell
Capacity: 43 Tons
Est. Length: 55 Ft./Pile
No. Required: 6*

Precore holes to Elev. 719.3 before driving piles.

*Includes one test pile to be driven in a permanent location the East abutment.



Order v2(E) full length. Cut as shown and use remainder of bars in opposite face.



DESIGNED	P.S.L.
CHECKED	A.R.K. & F.J.S.
DRAWN	K.T.R.
CHECKED	P.S.L. & A.R.K.
AI-0	9-01-03

EAST ABUTMENT
IL. RTE. 9 OVER WALL TOWN DRAINAGE DITCH
FAP ROUTE 697 - SECTION 17BR-1
FORD COUNTY
STATION 993+80.38
S.N. 027-0094

4440 ASH GROVE SPRINGFIELD, IL 62707 (217) 793-8600 oasinc@amvid.com	OZYURT AND STONE, INC. CONSULTING ENGINEERS	JOB NO.: 0306.2 FILE: ABUT02.DWG DATE: 06-08-04
---	---	---