

Notes: Space reinforcement in cap to miss anchor bolts.
Pour steps monolithically with cap.

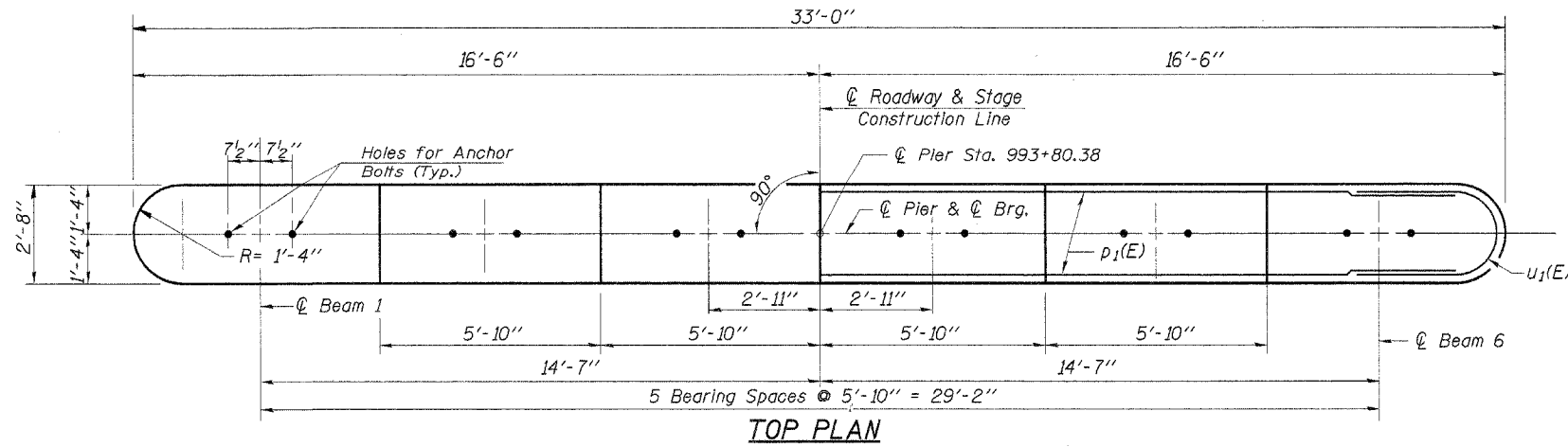
ROUTE NO.	SECTION	COUNTY	TOTAL SHEETS	SHEET NO.
FAP 697	17BR-1	FORD	42	33
ILLINOIS				

CONTRACT NO. 66363
Sheet 15 of 20

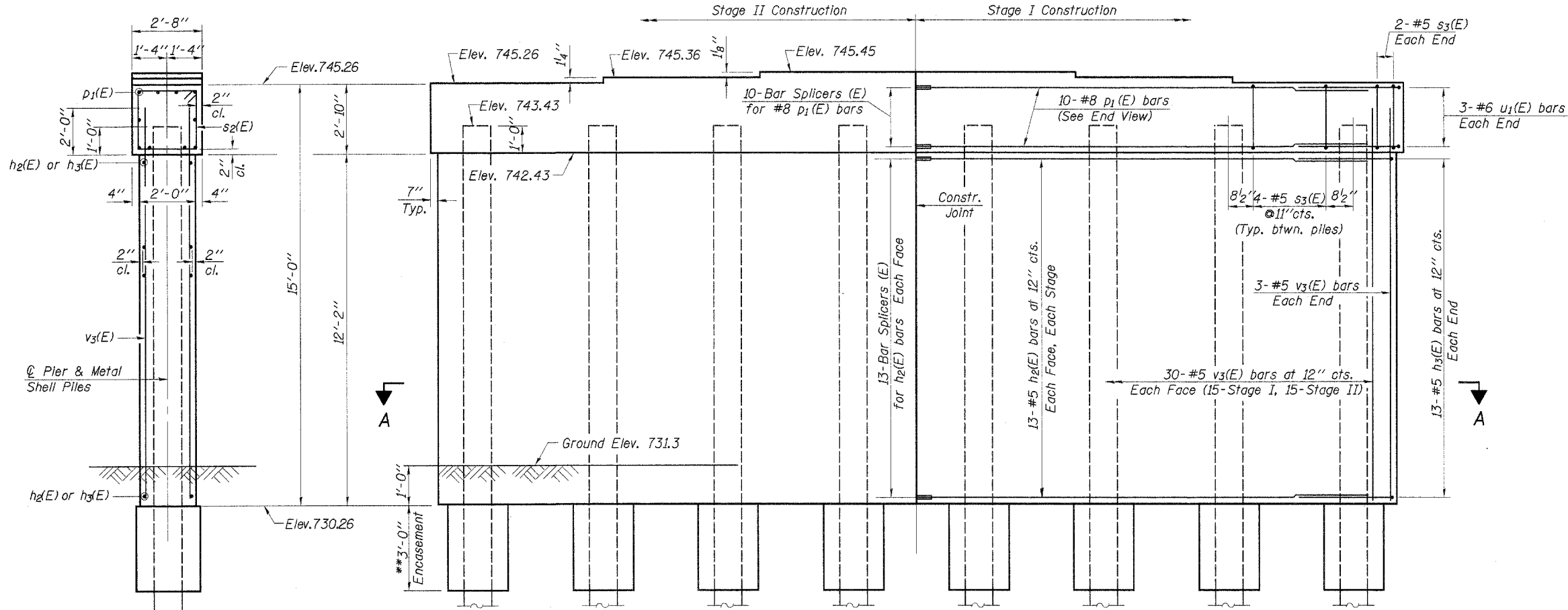
PILE DATA

Type: 14" Metal Shells
Capacity: 60 Tons
Est. Length: 60 Ft./Pile
No. Required: 8*
Precore holes to Elev. 719.3
before driving piles

*Includes one test pile to be driven
in a permanent location at pier.



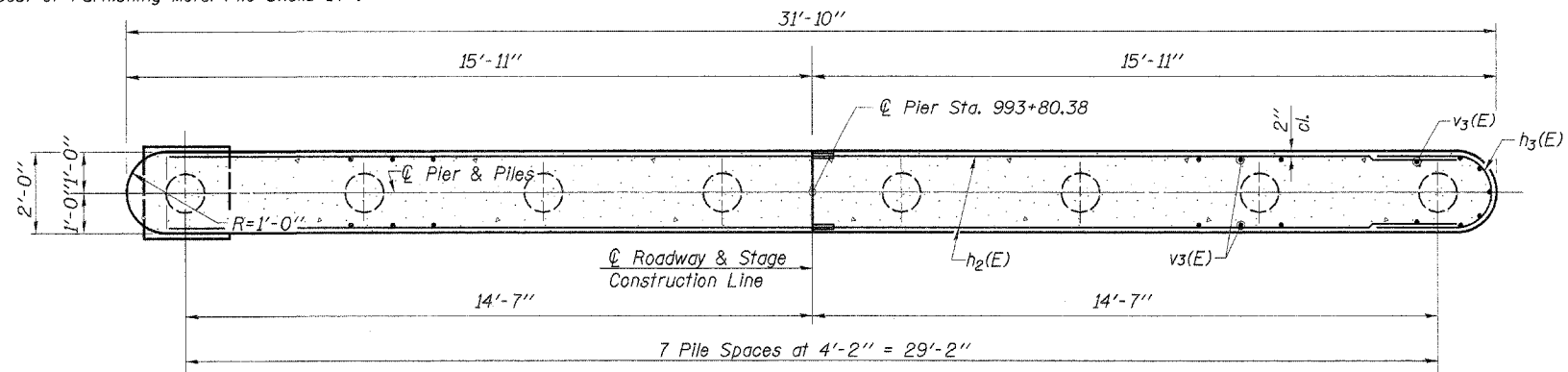
TOP PLAN



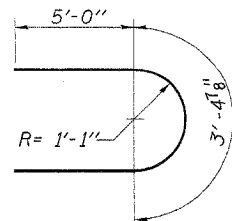
ELEVATION

(Looking Southeast)

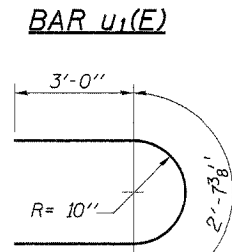
**See Sheet 17 of 20 for details.
Individual encasements to be included
in cost of Furnishing Metal Pile Shells 14".



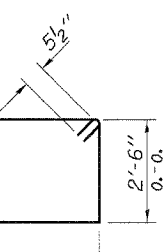
SECTION A-A



BAR u1(E)



BAR h3(E)



BAR s3(E)

BILL OF MATERIAL

Bar	No.	Size	Length	Shape
h2(E)	52	#5	14'-8"	—
h3(E)	26	#5	8'-8"	U
p1(E)	20	#8	16'-3"	—
s3(E)	32	#5	10'-7"	□
u1(E)	6	#6	13'-5"	U
v3(E)	66	#5	13'-6"	—
Structure Excavation		Cu. Yd.	8	
Underwater Structure Excavation Protection-Location 1		Each	1	
Concrete Structures		Cu. Yd.	33.5	
Reinforcement Bars (Epoxy Coated)		Lbs.	3,300	
Furnishing Metal Pile Shells 14"		Foot	420	
Driving & Filling Shells		Foot	420	
Test Pile Metal Shells		Each	1	

Reinforcement bars designated (E) shall be epoxy coated.
See Sheet 16 of 20 for Bar Splicer Details.

DESIGNED	P.S.L.
CHECKED	A.R.K. & F.J.S.
DRAWN	K.T.R.
CHECKED	P.S.L. & A.R.K.

PIER
IL. RTE. 9 OVER WALL TOWN DRAINAGE DITCH
FAP ROUTE 697 - SECTION 17BR-1
FORD COUNTY
STATION 993+80.38
S.N. 027-0094

4440 ASH GROVE
SPRINGFIELD, IL. 62707
(217) 793-8600
oasinc@tamvid.com

OZYURT AND STONE, INC.
CONSULTING ENGINEERS

JOB NO.: 0306.2
FILE: PIEROLDGN
DATE: 06-08-04