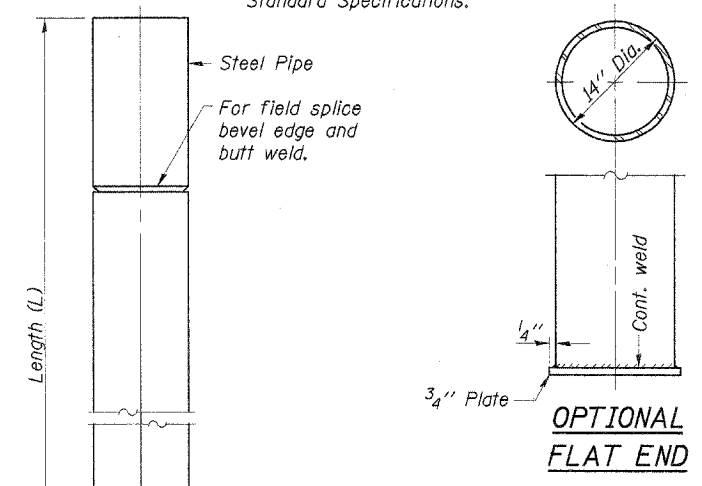
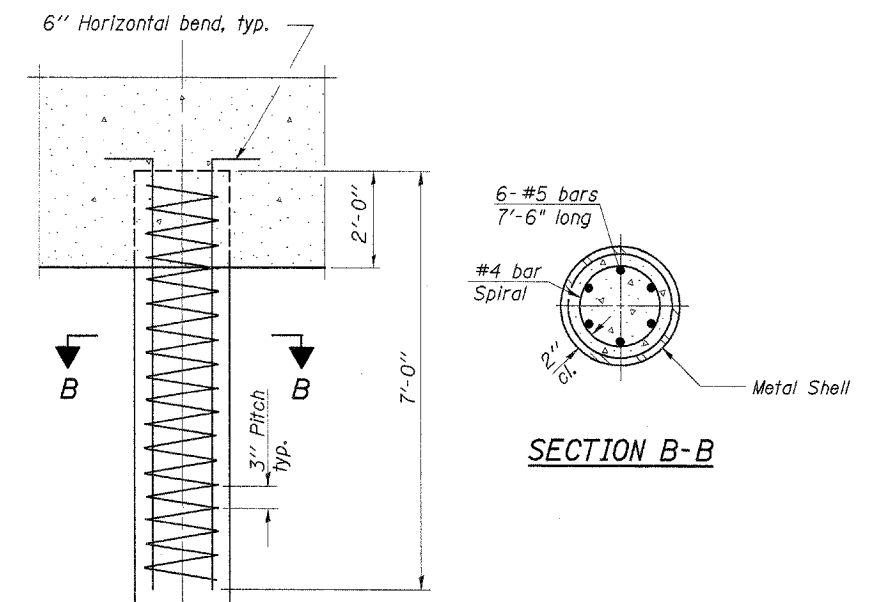


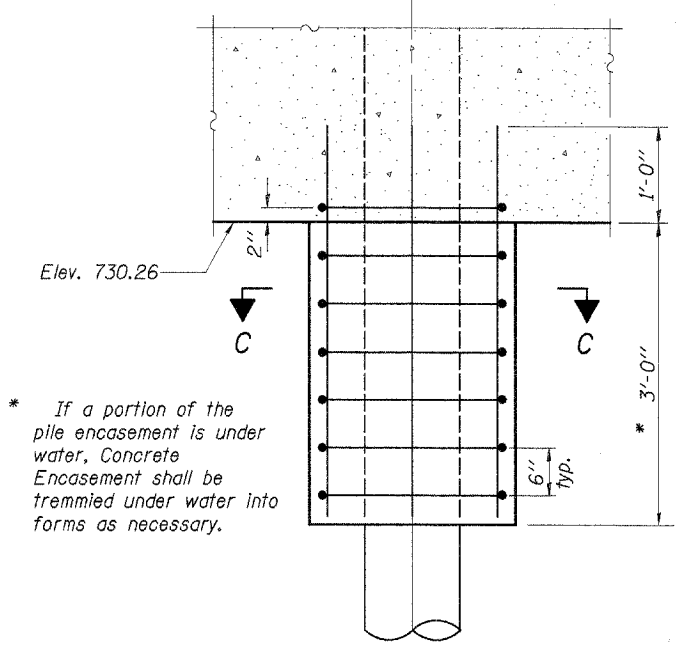
Notes: Driving and bearing ends of pipe shall be cut square. The thickness of the shell shall be 0.250 inches with a tolerance of 5%. The shell shall be according to Article 1006.05(a) of the Standard Specifications.



DETAIL OF CYLINDRICAL STEEL SHELL FOR CAST IN PLACE CONCRETE PILES



DETAIL OF REINFORCEMENT FOR METAL SHELLS AT ABUTMENTS



DETAIL OF PROTECTION FOR METAL SHELLS AT PIERS

* If a portion of the pile encasement is under water, Concrete Encasement shall be tremmied under water into forms as necessary.

The cost of Reinforcement, concrete, and excavation for forms is included with Furnishing Metal Pile Shells 14".

DESIGNED	P.S.L.
CHECKED	A.R.K. & F.J.S.
DRAWN	K.T.R.
CHECKED	P.S.L. & A.R.K.

10-31-02

CONCRETE PILE DETAILS
 IL. RTE. 9 OVER WALL TOWN DRAINAGE DITCH
 FAP ROUTE 697 - SECTION 17BR-1
 FORD COUNTY
 STATION 993+80.38
 S.N. 027-0094

4440 ASH GROVE SPRINGFIELD, IL 62707 (217) 793-8600 oasinc@amvid.com	OZYURT AND STONE, INC. CONSULTING ENGINEERS	JOB NO.: 0306.2 FILE: PILE.DGN DATE: 06-08-04
---	---	---