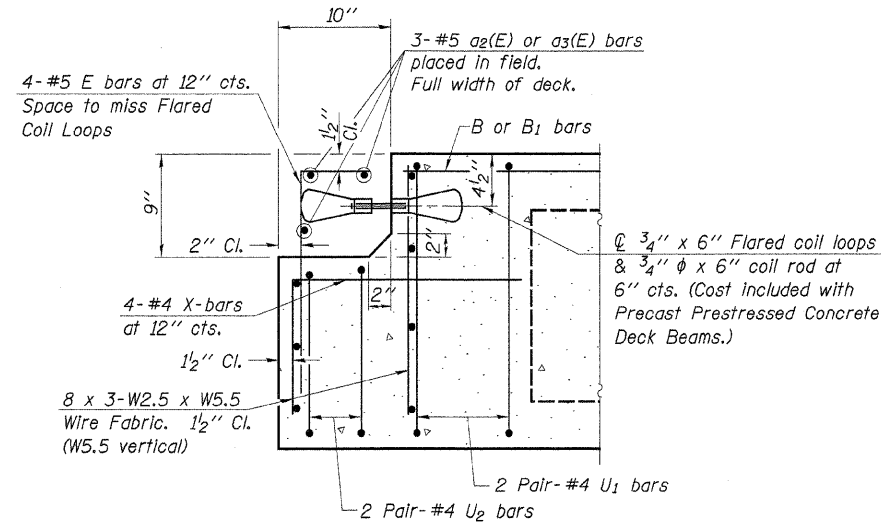


STATE OF ILLINOIS  
DEPARTMENT OF TRANSPORTATION

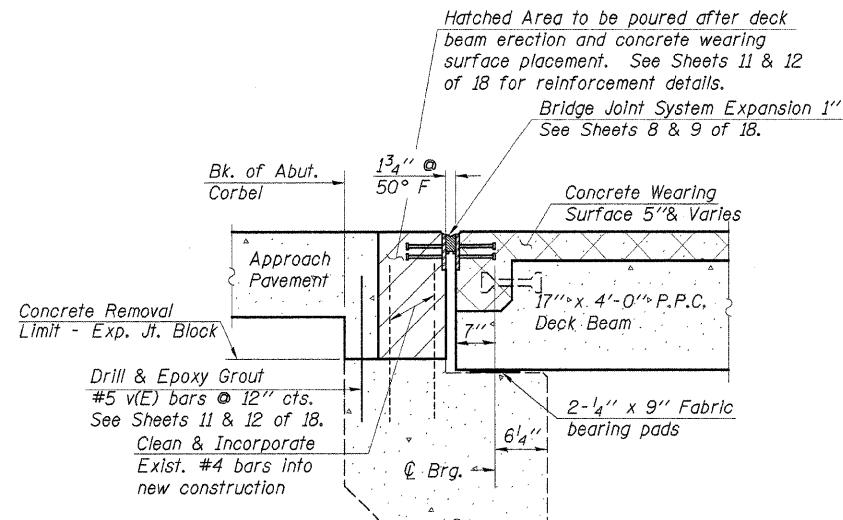
ROUTE NO.	SECTION	COUNTY	TOTAL SHEETS	SHEET NO.
F.A.P. 330	16BR	KANKAKEE	37	22

CONTRACT No. 66365  
Sheet 5 of 18



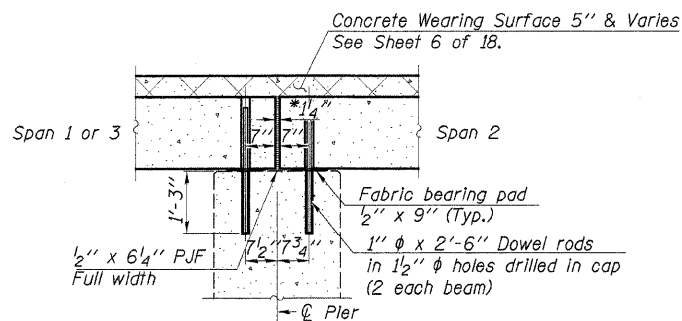
**END OF BEAM (EXP. END)**

(Dimensions are at Rt. L's)



**SECTION THRU ABUTMENT**

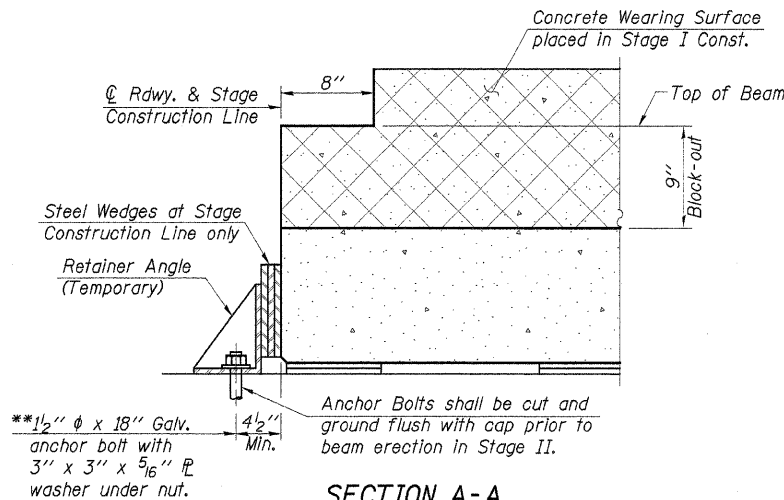
(Dimensions @ Rt. L's)



**SECTION THRU PIER**

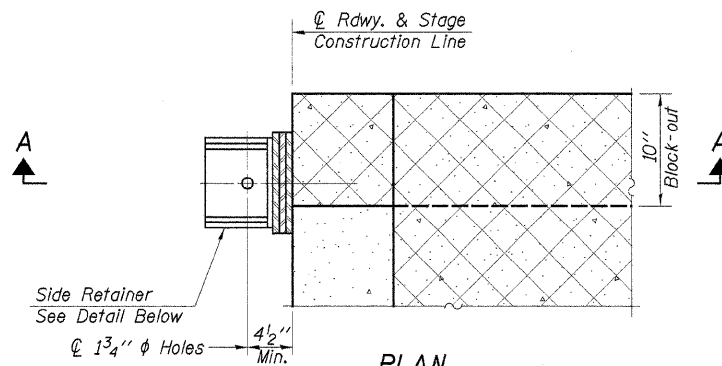
(Dimensions @ Rt. L's)

\*1/4" Jt. shall be filled with non-shrink grout.  
1/4" dimension may vary to accommodate tolerance in beam lengths.



**SECTION A-A**

\*\*See Sheet 10 of 18 for Anchor Bolt details.

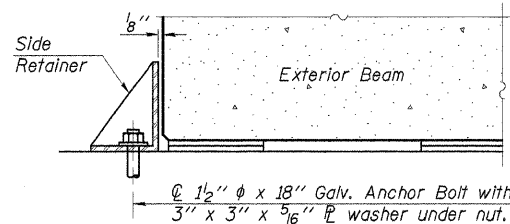


**PLAN**

**BEAM RETAINER DETAILS @ STAGE CONST.**

(2 Required)

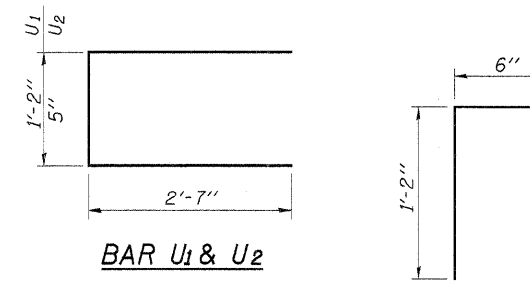
Cost of Retainer Angles, Anchor Bolts & accessories are included with Precast Prestressed Concrete Deck Beams.



**EXTERIOR BEAM RETAINER DETAILS**

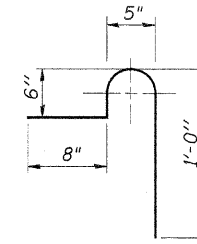
(4 Required)

Cost of Retainer Angles, Anchor Bolts & accessories are included with Precast Prestressed Concrete Deck Beams.

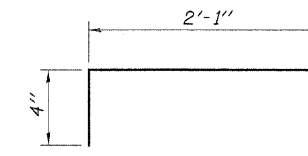


**BAR U1 & U2**

**BAR E**



**BAR D**  
(Exterior Beams Only)



**BAR X**

**\*ONE BEAM - SPAN 1 OR 3**

**BILL OF MATERIAL**

Bar	No.	Size	Length	Shape
B	4	#5	36'-6"	—
B1	6	#5	7'-7"	—
D	38	#5	2'-5"	┘
E	4	#5	1'-8"	┘
U1	12	#4	6'-4"	▬
U2	4	#4	5'-7"	▬
X	4	#4	2'-5"	┘
Precast Prestressed Concrete Deck Beams (17" Depth)			Sq. Ft.	3014

Estimated Total Weight (One Beam-Interior) = 23,716 Lbs.  
(One Beam-Exterior) = 25,826 Lbs.

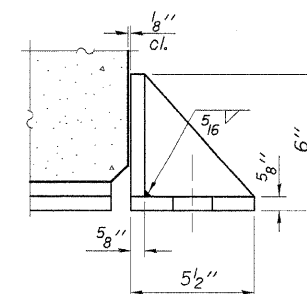
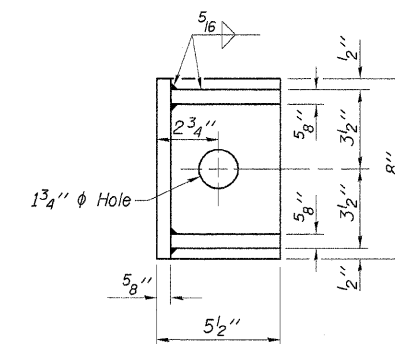
\* For Fabrication Only.

**\*ONE BEAM - SPAN 2**

**BILL OF MATERIAL**

Bar	No.	Size	Length	Shape
B1	6	#5	7'-7"	—
B2	4	#5	37'-5"	—
D	38	#5	2'-5"	┘
U1	16	#4	6'-4"	▬
Precast Prestressed Concrete Deck Beams (17" Depth)			Sq. Ft.	1507

Estimated Total Weight (One Beam-Interior) = 24,056 Lbs.  
(One Beam-Exterior) = 26,166 Lbs.



**SIDE RETAINER**

Equivalent rolled angle with stiffeners will be allowed in lieu of welded plates.

Rehabilitation Project

DESIGNED	A.R.K.
CHECKED	P.S.L. & F.J.S.
DRAWN	S.A.P., K.T.R. & J.P.S.
CHECKED	A.R.K. & F.J.S.

Work this Sheet with Sheets 4 & 6 of 18.

**SUPERSTRUCTURE DETAILS**

U.S. RTE. 45/52 OVER  
SOUTH BRANCH ROCK CREEK  
F.A.P. RTE. 330 - SECTION 16BR  
KANKAKEE COUNTY  
STA. 356+17.50 - STR. NO. 046-0047

4440 ASH GROVE  
SPRINGFIELD, IL. 62707  
(217) 793-8600  
oasinc@famvid.com

**OZYURT AND STONE, INC.**  
CONSULTING ENGINEERS

JOB NO.: 0306.3  
FILE: SUPER02.DGN  
DATE: 08-04-04