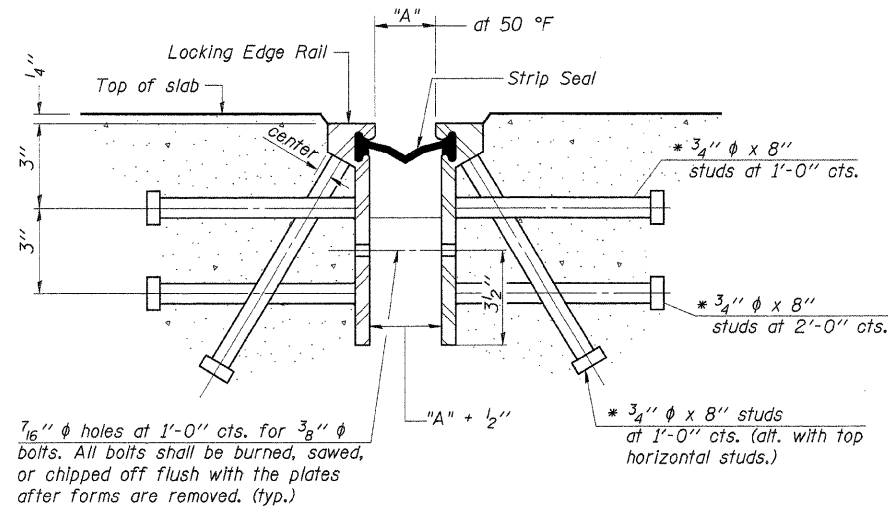


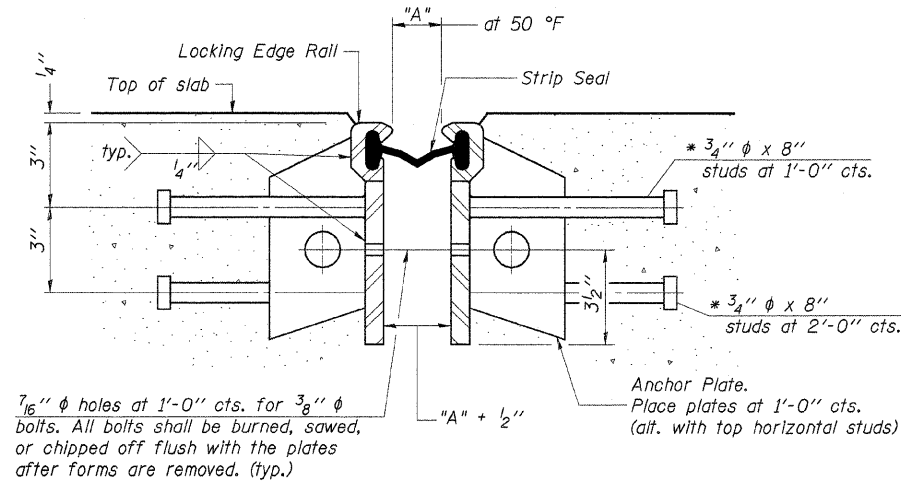
STATE OF ILLINOIS
DEPARTMENT OF TRANSPORTATION

ROUTE NO.	SECTION	COUNTY	TOTAL SHEETS	SHEET NO.
F.A.P. 330	16BR	KANKAKEE	37	26
ILLINOIS				

CONTRACT NO. 66365
Sheet 9 of 18



Required Strip Seal rated movement	"A"
1"	1 1/8"
2"	1 3/4"



GENERAL NOTES

The strip seal shall be made continuous and shall have a minimum thickness of 1/4". The configuration of the strip seal shall match the configuration of the Locking Edge Rails.

The height and thickness of the Locking Edge Rails shown are minimum dimensions. The actual configuration of the Locking Edge Rails and matching strip seal may vary from manufacturer to manufacturer. Flanged edge rails will not be allowed.

Locking Edge Rails may be spliced at slope discontinuities and stage construction joints.

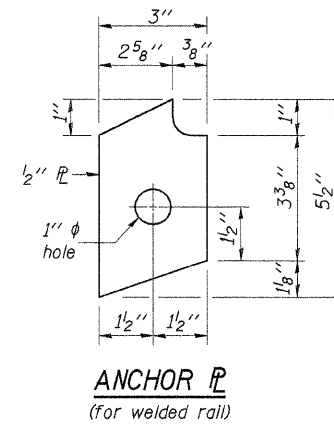
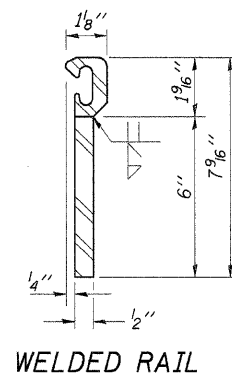
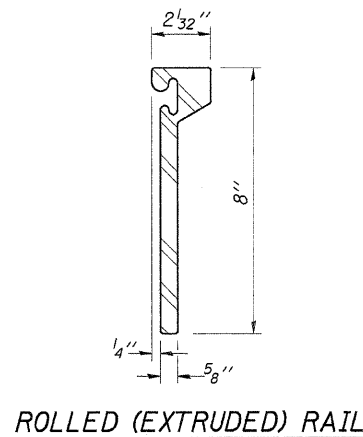
The manufacturer's recommended installation methods shall be followed.

The joint opening and deck dimensions detailed on the superstructure are based on a preformed joint seal. If the contractor elects to use the alternate strip seal joint, the opening and deck dimensions shall be modified according to the dimensions detailed on this sheet. Required modifications shall be made at no additional cost to the State.

SECTION THRU ROLLED RAIL EXP. JOINT
(320 Studs Required)

* Granular or solid flux filled headed studs conforming to Article 1006.32 of the Std. Specs., automatically end welded.

SECTION THRU WELDED RAIL EXP. JOINT
(120 Studs Required)
(40 Anchor Plates Required)

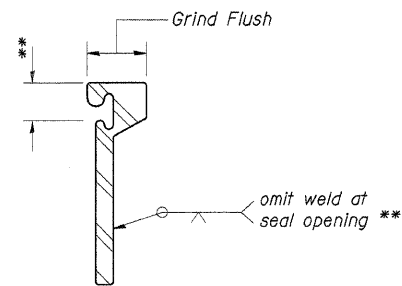


ROLLED (EXTRUDED) RAIL

WELDED RAIL

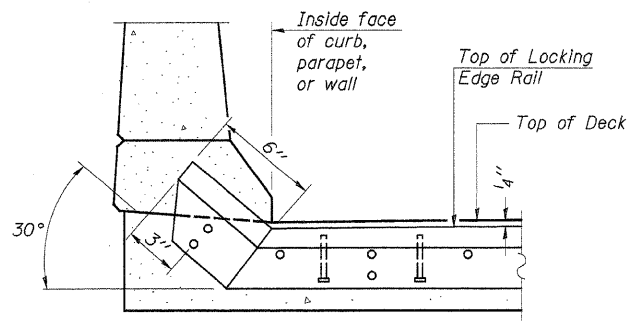
ANCHOR PLATE
(for welded rail)

LOCKING EDGE RAILS

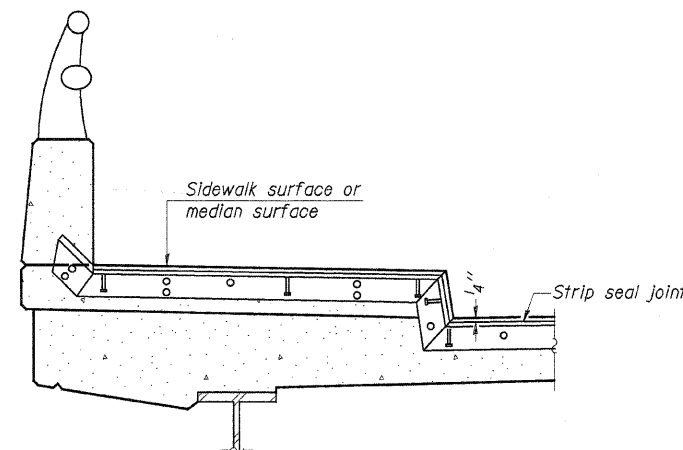


LOCKING EDGE RAIL SPLICE

The inside of the locking edge rail groove shall be free of weld residue.



AT CURB, PARAPET, OR WALL



AT SIDEWALK OR MEDIAN*

TYPICAL END TREATMENTS

* Shorter plates with a single row of studs at 12" centers may be necessary on medians which are shallower than 9". See manufacturer's recommendation.

(Sheet 2 of 2)

BRIDGE JOINT SYSTEM - EXPANSION
(ALTERNATE-STRIP SEAL)
U.S. RTE. 45/52 OVER
SOUTH BRANCH ROCK CREEK
F.A.P. RTE. 330 - SECTION 16BR
KANKAKEE COUNTY
STA. 356+17.50 - STR. NO. 046-0047

Rehabilitation Project

DESIGNED	A.R.K.
CHECKED	P.S.L. & F.J.S.
DRAWN	S.A.P., K.T.R. & J.P.S.
CHECKED	A.R.K. & F.J.S.
EJ-BJS	9-01-03

4440 ASH GROVE
SPRINGFIELD, ILL. 62707
(217) 793-8600
oasinc@famvid.com

OZYURT AND STONE, INC.
CONSULTING ENGINEERS

JOB NO.: 0306.3
FILE: JOINT02.DGN
DATE: 08-04-04