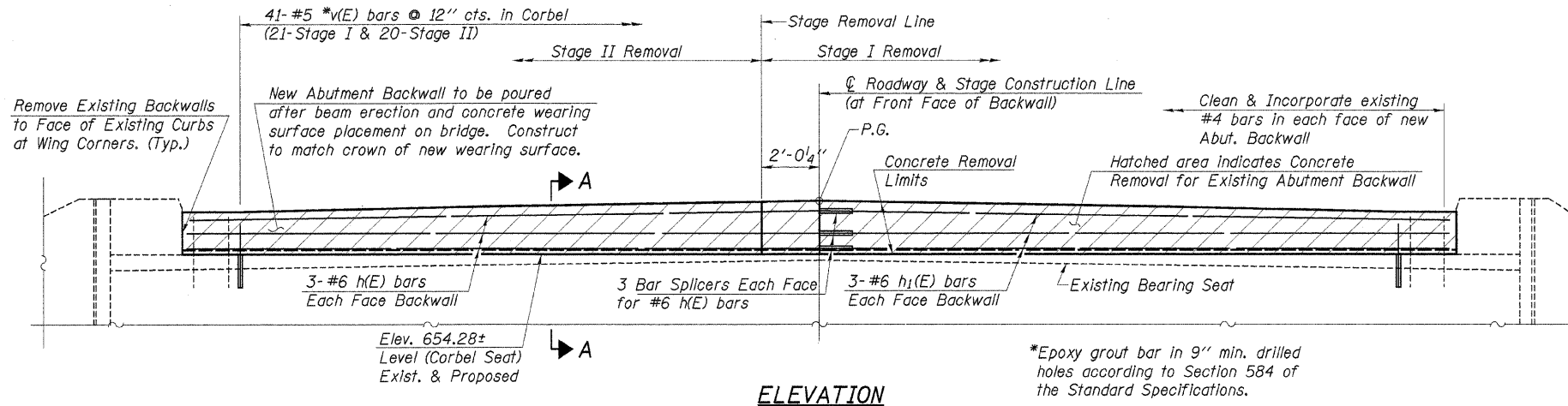


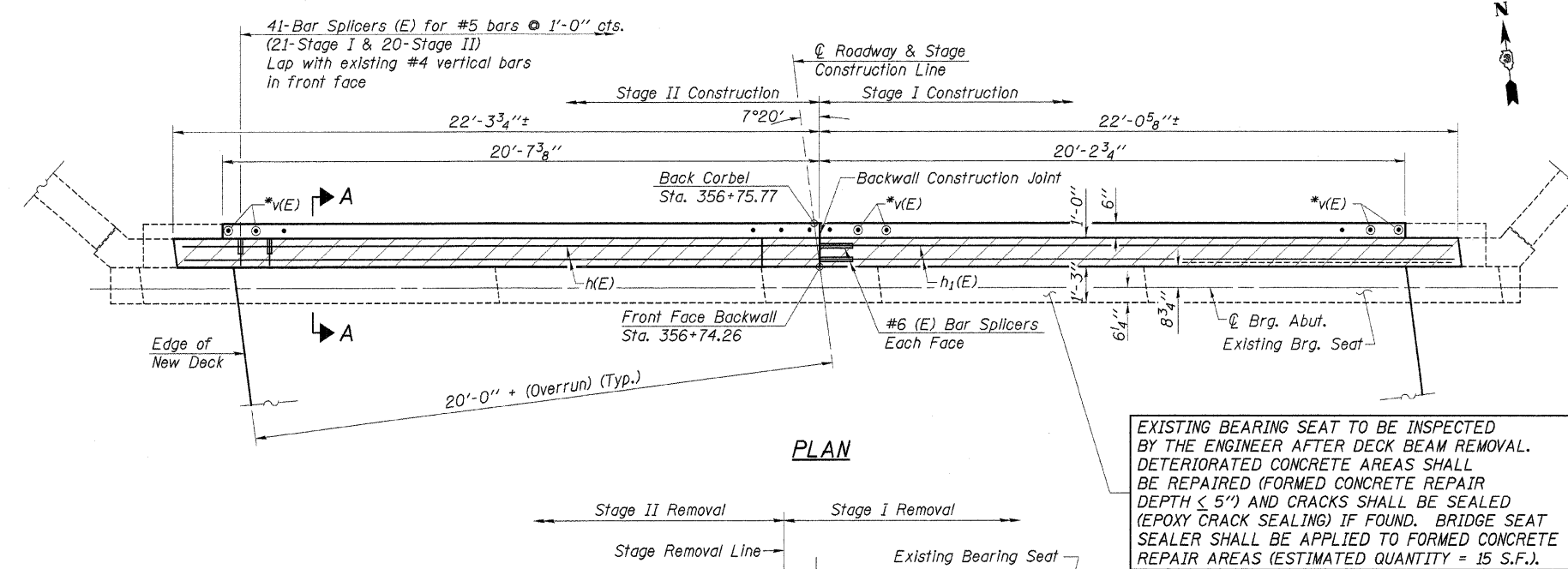
STATE OF ILLINOIS
DEPARTMENT OF TRANSPORTATION

ROUTE NO.	SECTION	COUNTY	TOTAL SHEETS	SHEET NO.
F.A.P. 330	16BR	KANKAKEE	37	29

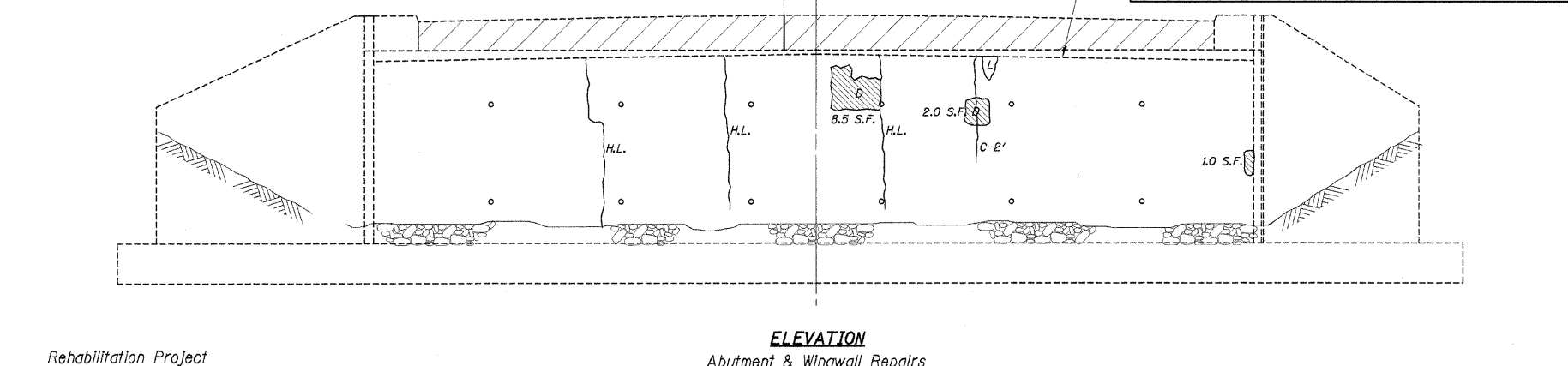
ILLINOIS
CONTRACT NO. 66365
Sheet 12 of 18



ELEVATION

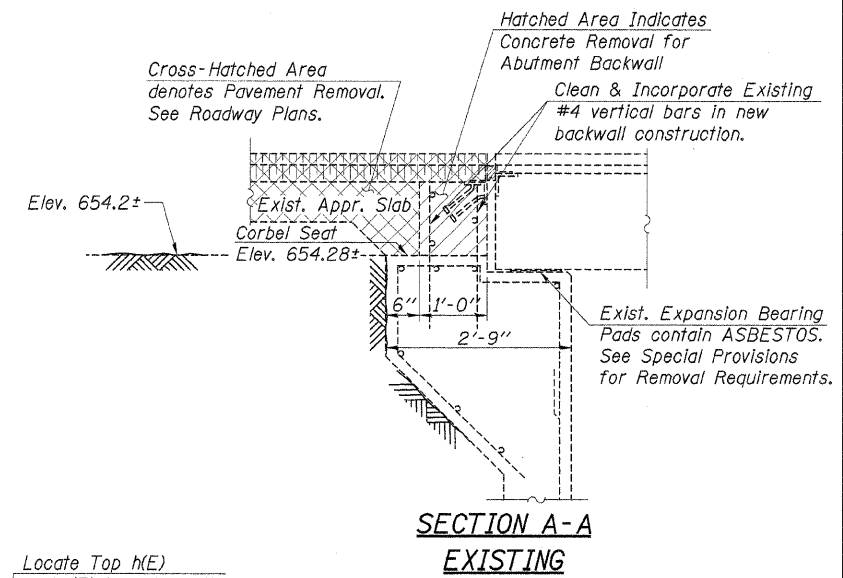


PLAN

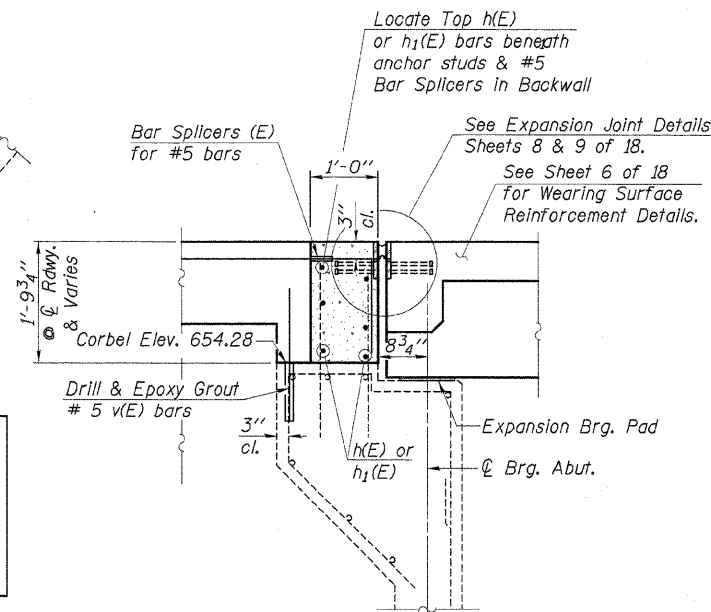


ELEVATION
Abutment & Wingwall Repairs

NOTE: ABUTMENT CRACK REPAIR LENGTHS AND FORMED CONCRETE REPAIR AREAS ARE ESTIMATED FROM 5-19-04 SURVEY WORK. ACTUAL LOCATIONS AND QUANTITIES OF REPAIRS SHALL BE SHOWN BY THE ENGINEER ON THE AS-BUILT PLANS FOR THIS SECTION.



SECTION A-A
EXISTING



SECTION A-A
PROPOSED

NORTH ABUTMENT
BILL OF MATERIAL

Bar	No.	Size	Length	Shape
h(E)	6	#6	20'-4"	—
h1(E)	6	#6	20'-0"	—
v(E)	41	#5	2'-1"	—
Concrete Removal			Cu. Yd.	1.8
Concrete Structures			Cu. Yd.	2.7
Reinforcement Bars, Epoxy Coated			Pound	450
Structure Excavation			Cu. Yd.	1.7
Asbestos Bearing Pad Removal			Each	30
Bridge Seat Sealer			Sq. Ft.	15
Epoxy Crack Sealing			Foot	2
Formed Concrete Repair (Depth < 5')			Sq. Ft.	26.5

Reinforcement bars designated (E) shall be Epoxy Coated.
See Sheet 15 of 18 for Bar Splicer Details.

REPAIR LEGEND

Inspection Date: 5-19-04

- Moisture Stained or Leached Area
- Hairline Crack - Not to be Sealed
- Crack (> 1/16" Width)
- Leached Crack (> 1/16" Width)
- Delaminated Area
- Spalled Area (Depth < 5')

EPOXY CRACK SEALING
FORMED CONC. REPAIR

Rehabilitation Project

DESIGNED	A.R.K.
CHECKED	P.S.L. & F.J.S.
DRAWN	S.A.P., K.T.R. & J.P.S.
CHECKED	A.R.K. & F.J.S.

NORTH ABUTMENT
U.S. RTE. 45/52 OVER
SOUTH BRANCH ROCK CREEK
F.A.P. RTE. 330 - SECTION 16BR
KANKAKEE COUNTY
STA. 356+17.50 - STR. NO. 046-0047

4440 ASH GROVE SPRINGFIELD, IL 62707 (217) 793-8600 casln@famvid.com	OZYURT AND STONE, INC. CONSULTING ENGINEERS	JOB NO.: 0306.3 FILE: ABUT03.DGN DATE: 08-04-04
---	---	---