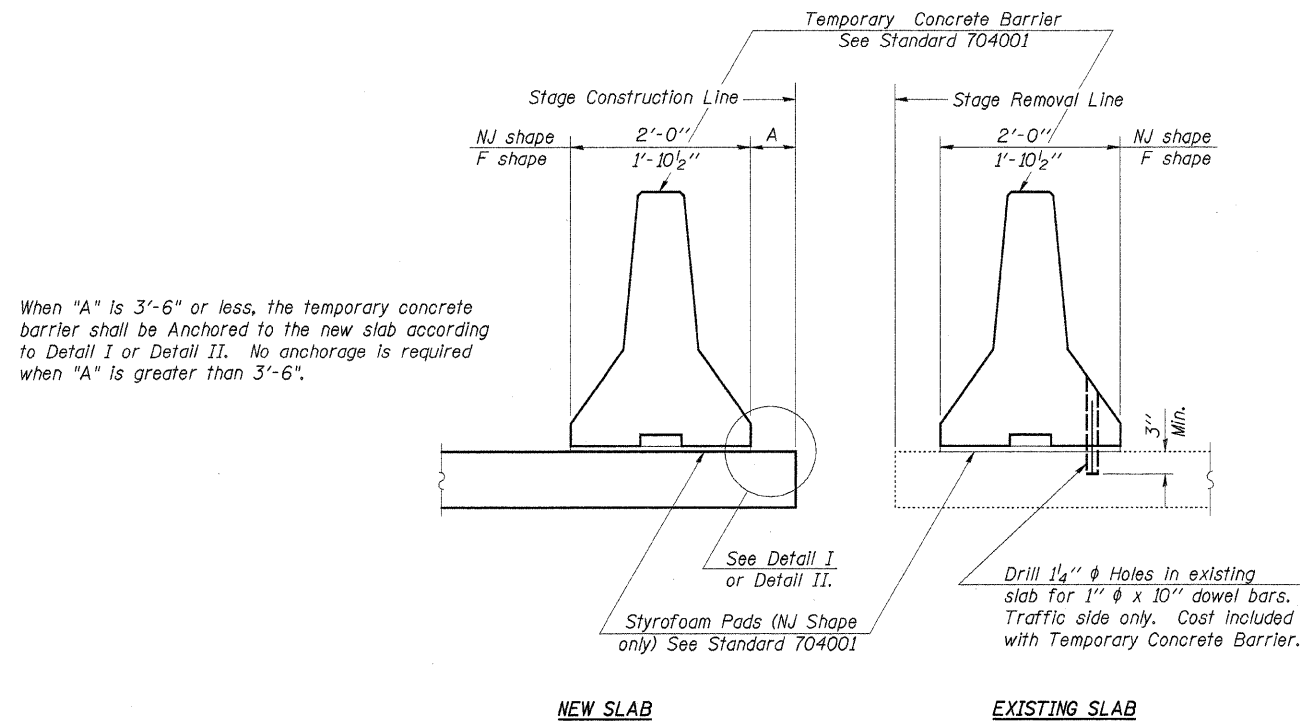


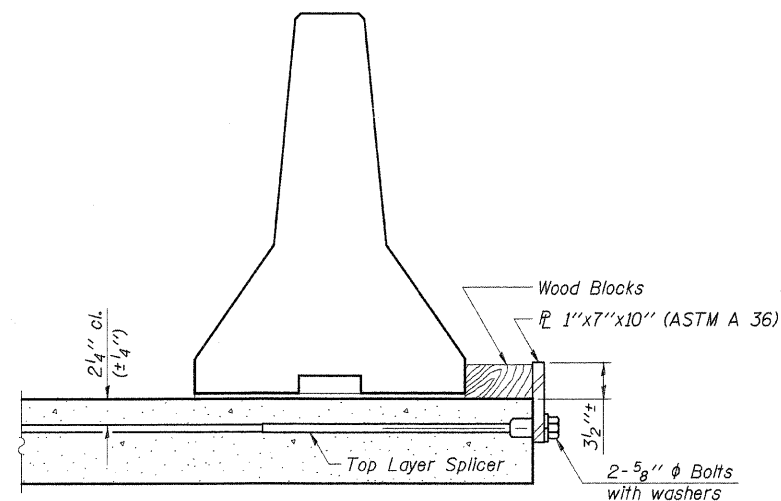
STATE OF ILLINOIS  
DEPARTMENT OF TRANSPORTATION

ROUTE NO.	SECTION	COUNTY	TOTAL SHEETS	SHEET NO.
F.A.P. 330	16BR	KANKAKEE	37	33

ILLINOIS  
CONTRACT NO. 66365  
Sheet 16 of 18

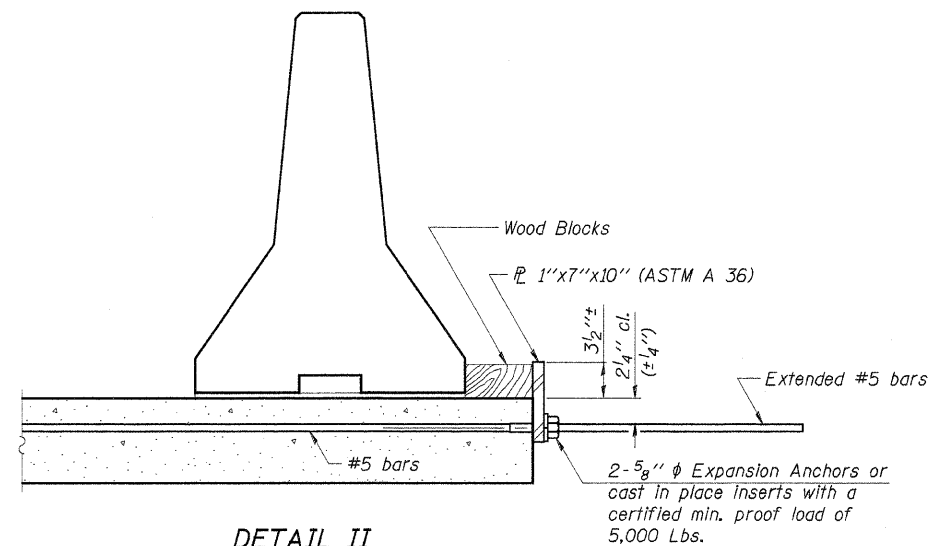


SECTION THRU SLAB



DETAIL I

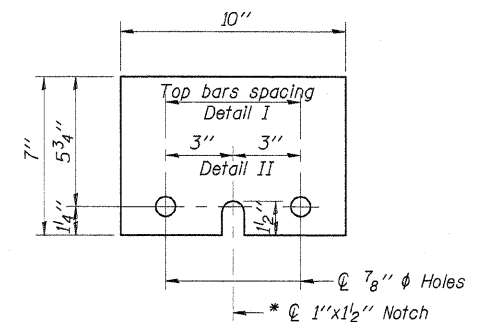
The 1"x7"x10" Plate shall not be removed until Stage II Construction forms and reinforcement bars are in place.



DETAIL II

The 1"x7"x10" Plate shall not be removed until Stage II Construction forms and all reinforcement bars are in place and the concrete is ready to be placed.

- NOTES**
- Detail I - With Bar Splicer or Couplers:  
Connect one (1) 1"x7"x10" steel  $\bar{P}$  to the top layer of couplers with 2-5/8"  $\phi$  bolts screwed to coupler at approximate  $\bar{C}$  of each barrier panel.
- Detail II - With Extended Reinforcement Bars:  
Connect one (1) 1"x7"x10" steel  $\bar{P}$  to the concrete slab with 2-5/8"  $\phi$  Expansion Anchors or cast in place Inserts spaced between the top layer of reinforcement at approximate  $\bar{C}$  of each barrier panel.  
Cost of anchorage is included with Temporary Concrete Barrier.



1" x 7" x 10"

\* Required only with Detail II

Rehabilitation Project

DESIGNED	A.R.K.
CHECKED	P.S.L. & F.J.S.
DRAWN	S.A.P., K.T.R. & J.P.S.
CHECKED	A.R.K. & F.J.S.

R-27 10-31-02

TEMPORARY CONCRETE BARRIER  
FOR STAGE CONSTRUCTION  
U.S. RTE. 45/52 OVER  
SOUTH BRANCH ROCK CREEK  
F.A.P. RTE. 330 - SECTION 16BR  
KANKAKEE COUNTY  
STA. 356+17.50 - STR. NO. 046-0047

4440 ASH GROVE  
SPRINGFIELD, IL 62707  
(217) 793-8600  
oasinc@famvid.com

OZYURT AND STONE, INC.  
CONSULTING ENGINEERS

JOB NO.: 0306.3  
FILE: BARRIER.DGN  
DATE: 08-04-04