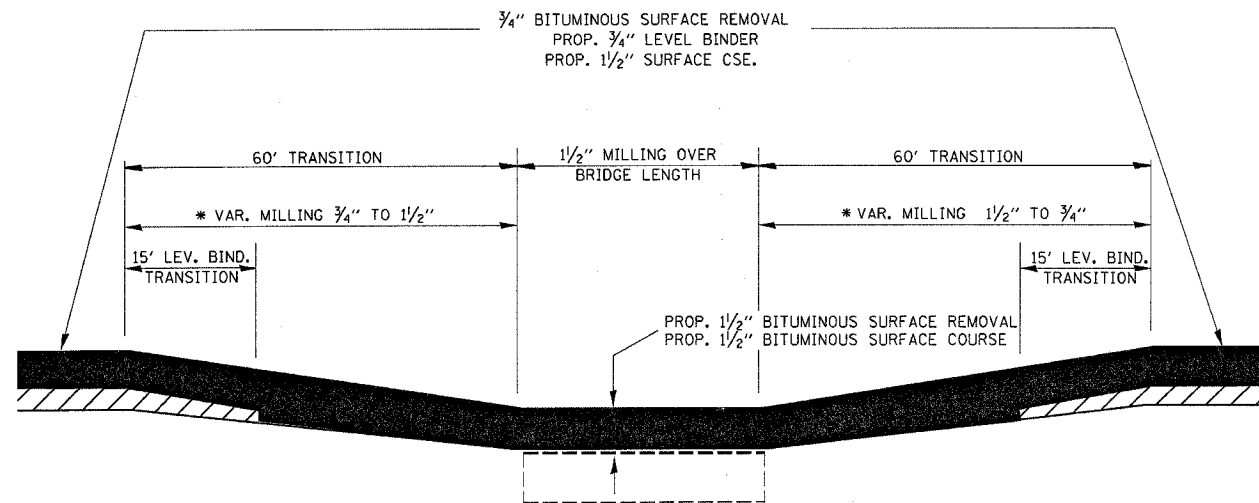


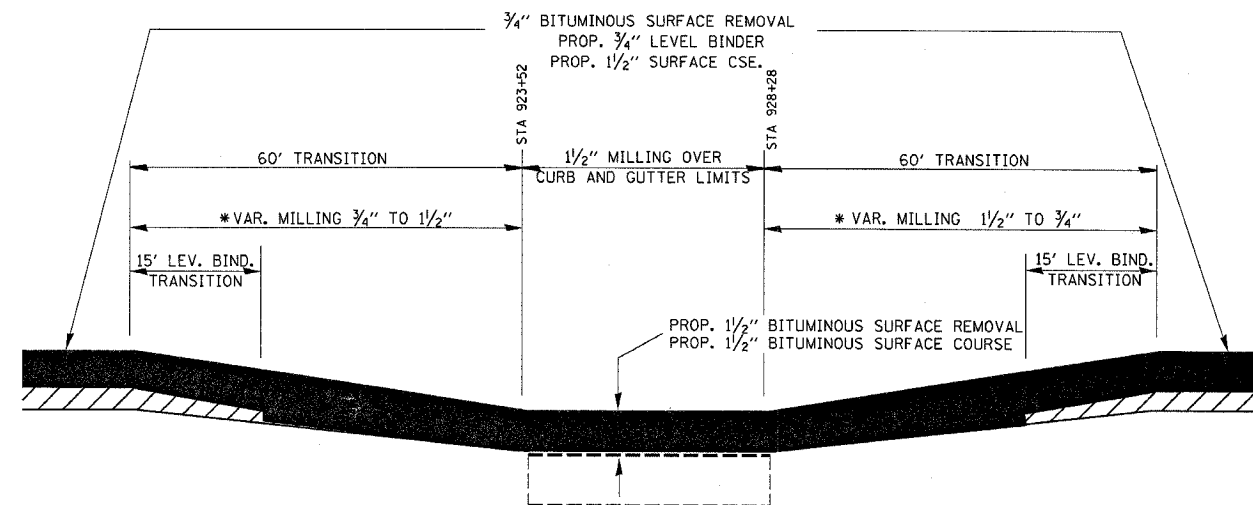
F.A.P. RYE.	SECTION	COUNTY	TOTAL SHEETS	SHEET NO
311	(2&3)RS-2	KENDALL	10	8
STA.		TO STA.		
FED. ROAD DIST. NO.		ILLINOIS	FED. AID PROJECT	



TAPER DETAIL

STRUCTURE 047-C803 STA.939+23
 STRUCTURE 047-2011 STA. 1161+99
 STRUCTURE 047-C802 STA. 1206+78

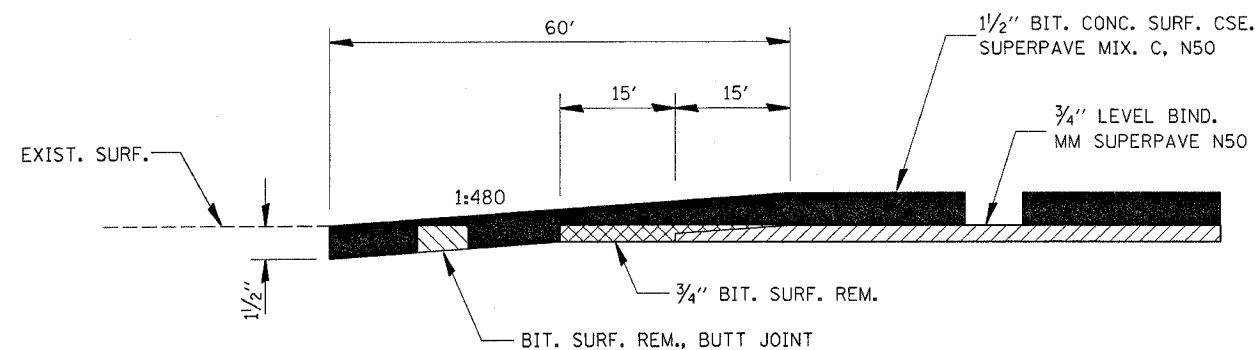
* NOTE: VARIABLE MILLING TO BE PAID FOR AS BITUMINOUS SURFACE REMOVAL BUTT-JOINT



TAPER DETAIL

STA 922+92 TO STA 923+52
 STA 928+28 TO STA 928+88

* NOTE: VARIABLE MILLING TO BE PAID FOR AS BITUMINOUS SURFACE REMOVAL BUTT-JOINT



BUTT JOINT DETAIL

BEGINNING OF PROJECT
 BEGINNING AND END OF BRIDGE OMISSION
 END PROJECT

ILLINOIS DEPARTMENT OF TRANSPORTATION

TAPER DETAILS