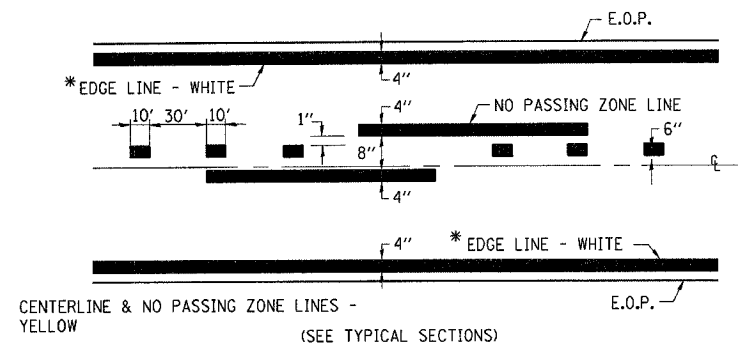


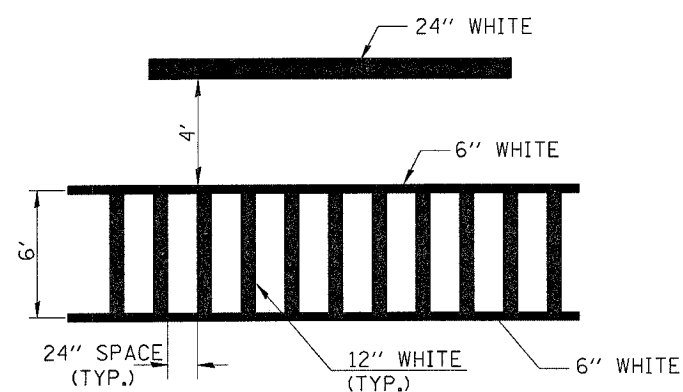
F.A.P. DIST.	SECTION	COUNTY	TOTAL SHEETS	SHEET NO.
326	124RS-6, 125RS-3 & 1	LIVINGSTON	15	14
STA.		TO STA.		
FED. ROAD DIST. NO.	ILLINOIS	FED. AID PROJECT		

CONTRACT #66459

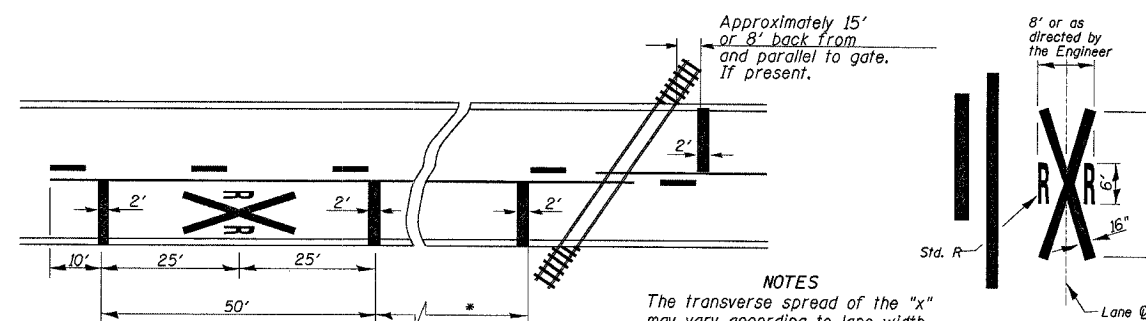
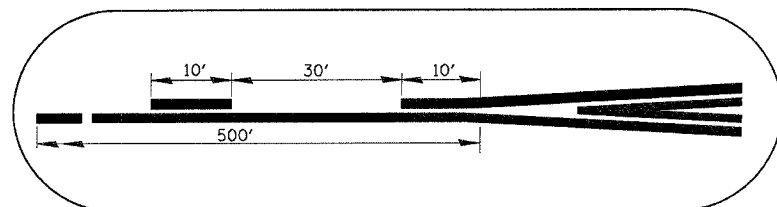


PAVEMENT MARKING

* OMIT EDGE LINE IN CURB AND GUTTER AREAS, EXCEPT STA. 1307+50 TO 1313+75 LT.



TYPICAL SPACING DETAIL FOR CROSSWALKS AND STOP BARS



* Minimum Distance
 400' for 55 MPH
 250' for 45 MPH
 100' for 35 MPH or Less

NOTES
 The transverse spread of the "x" may vary according to lane width.

On multi-lane roads, the stop lines shall extend across all approach lanes and separate RXR symbols shall be placed adjacent to each other in each lane.

PAVEMENT MARKINGS AT RAILROAD-HIGHWAY GRADE CROSSING