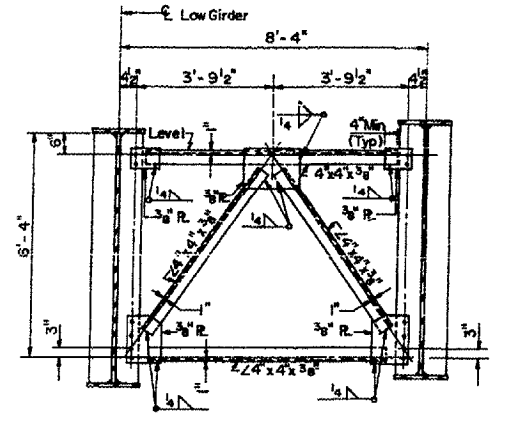
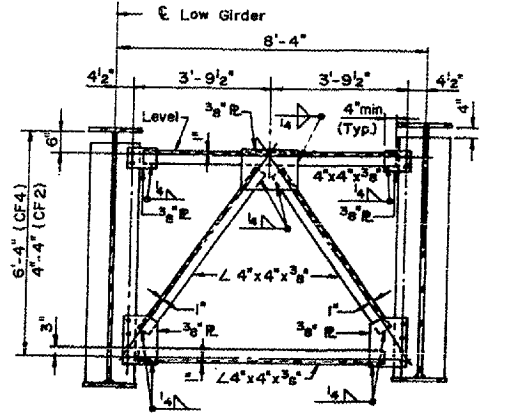


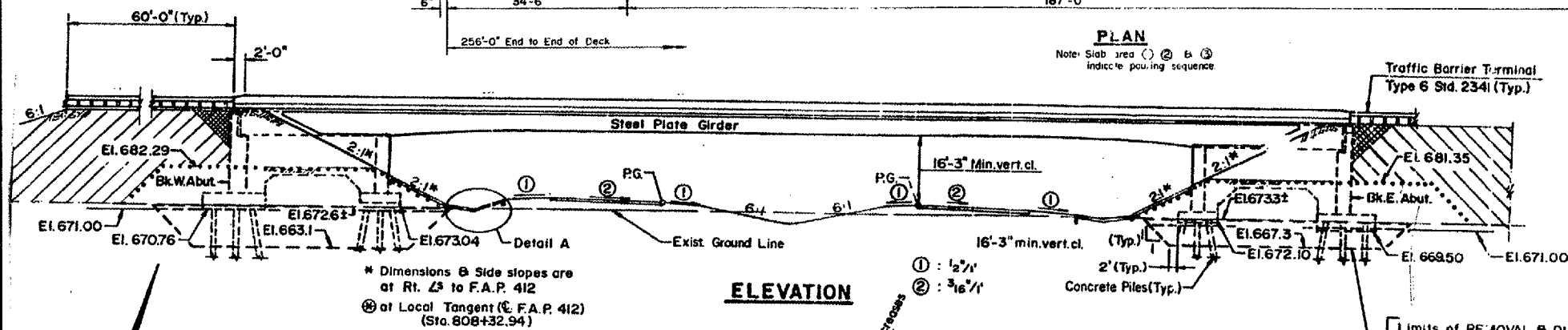
PLAN
 Note: Slab area (1), (2) & (3) indicate pouring sequence



INTERIOR CROSS FRAME - CF1
 No. Req'd. = 6

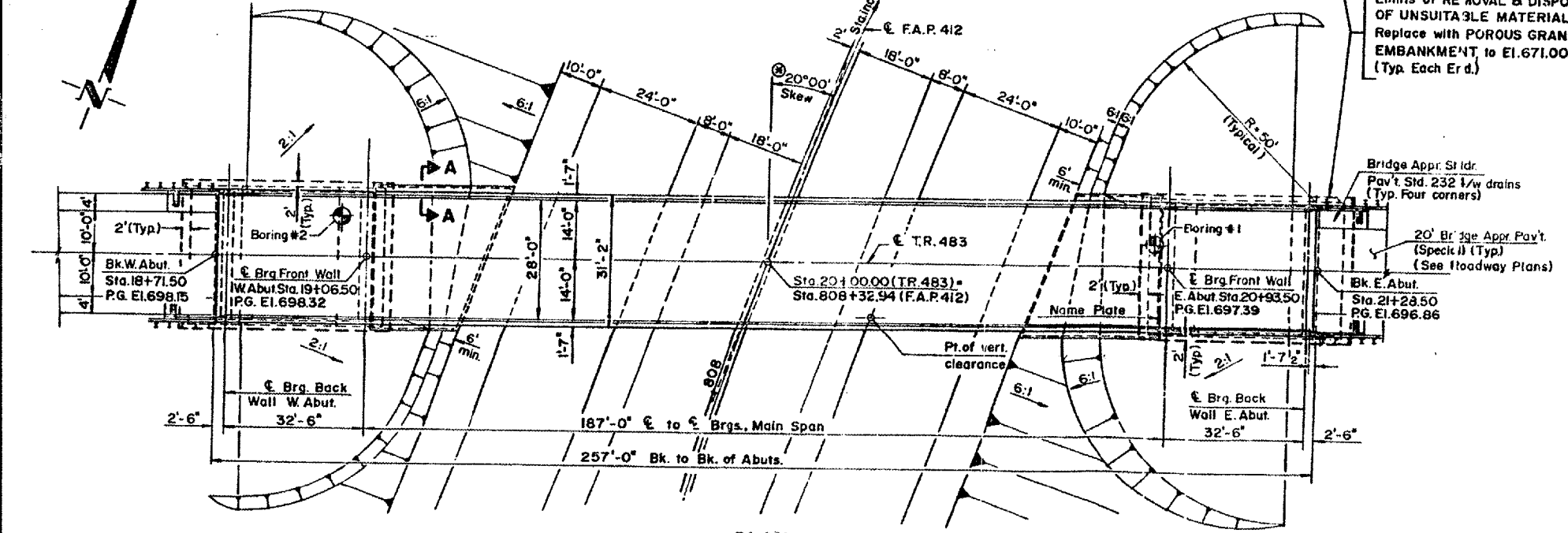


INTERIOR CROSS FRAME - CF2 & CF4
 CF2 No. Req'd. = 6
 CF4 No. Req'd. = 6

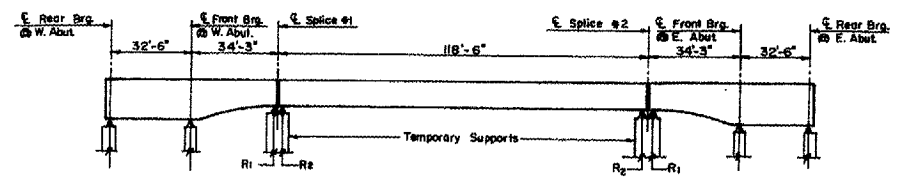


ELEVATION

Limits of RE MOVAL & DISPOSAL OF UNSUITABLE MATERIALS. Replace with POROUS GRANULAR EMBANKMENT to El. 671.00. (Typ. Each End.)



PLAN



ERECTION SKETCH
 R1 = 2.5 K/Girder
 R2 = 13.5 K/Girder

REVISIONS	
NAME	DATE

ILLINOIS DEPARTMENT OF TRANSPORTATION
EXISTING STRUCTURE PLANS
FOR INFORMATION ONLY
BRIDGE LOCATION 2
S.N. 050-0207

SCALE: VERT. _____
 HORIZ. _____

DATE 06/21/04

DRAWN BY RW
 CHECKED BY _____

Date: 06/21/04
 cmain05/cm318/details.dgn