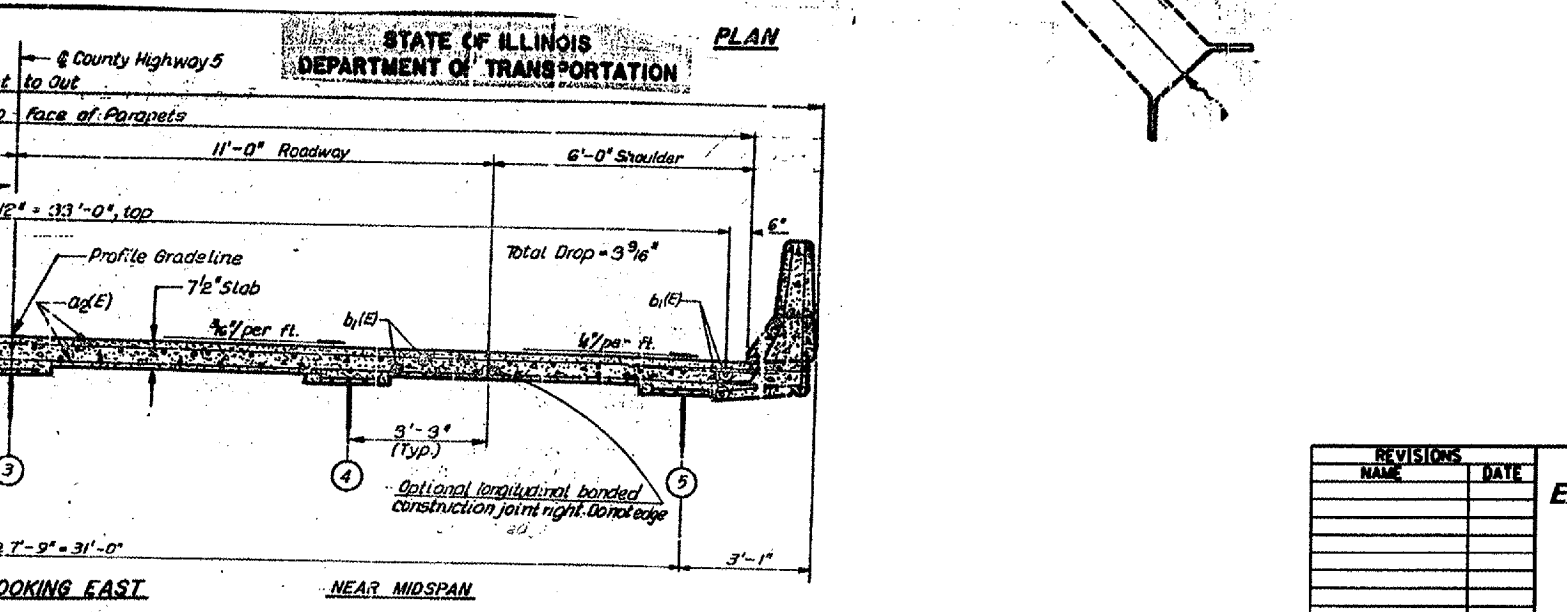
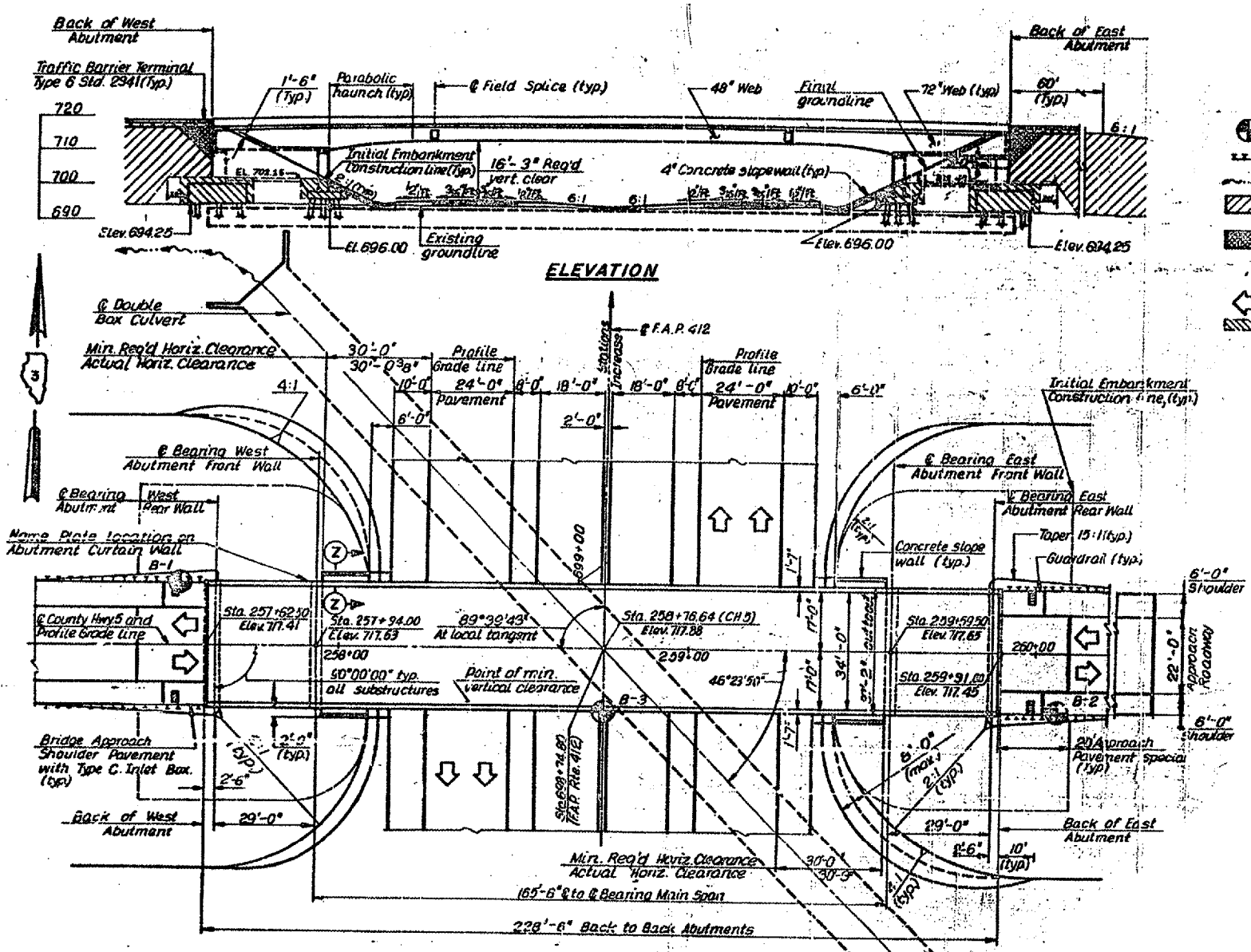
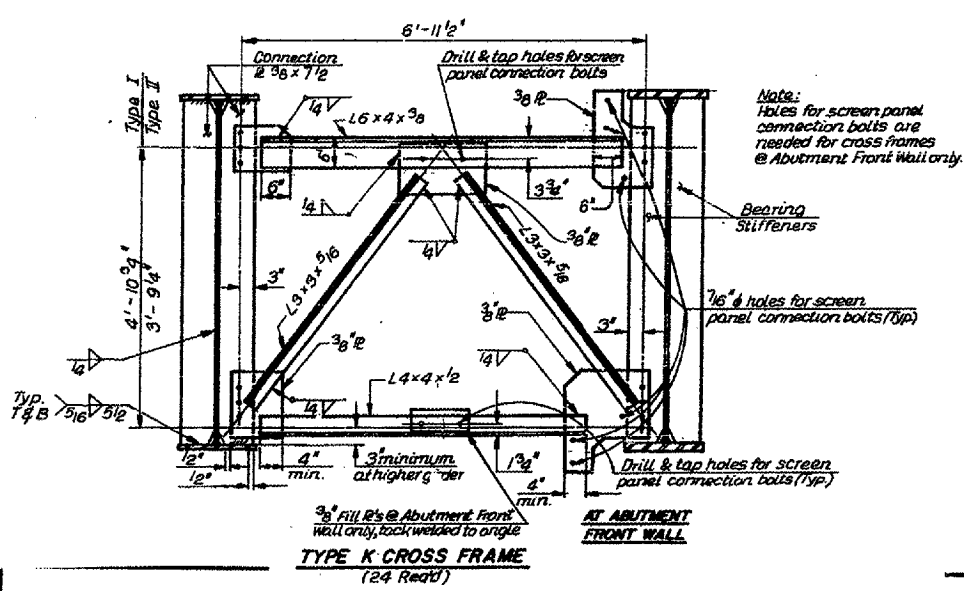
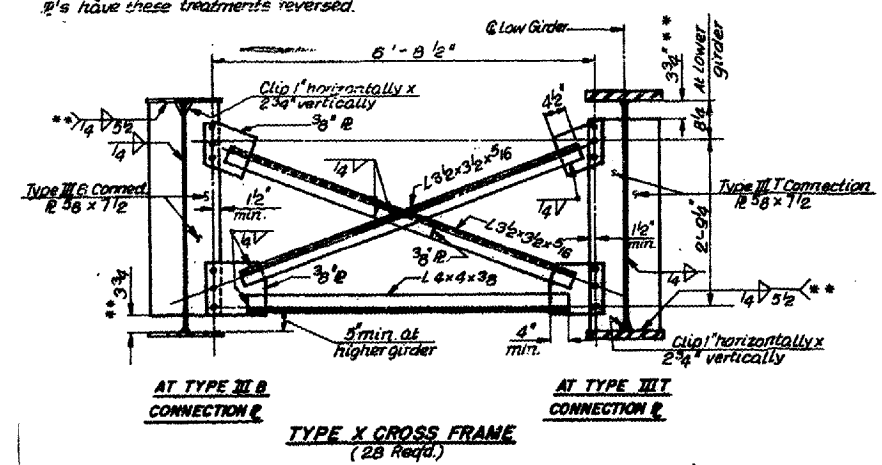


CONTRACT NO. 66518

- LEGEND**
- indicates bearing location
 - indicates guardrail
 - indicates water flow
 - indicates embankment placement after construction of abutment rear wall.
 - indicates porous granula embankment to be placed after construction of the abutment and after construction of the superstructure.
 - indicates direction of traffic lane.
 - structure excavation

Note:
 **Type III B connection @'s have gap @ bottom and tight fit with weld @ top. Type III T connection @'s have these treatments reversed.



REVISIONS	
NAME	DATE

ILLINOIS DEPARTMENT OF TRANSPORTATION
EXISTING STRUCTURE PLANS
 FOR INFORMATION ONLY
 BRIDGE LOCATION 3
 S.N. 050-0208

SCALE: VERT. _____
 HORIZ. _____
 DATE 06/21/04

DRAWN BY RW
 CHECKED BY _____

Date: 06/21/04
 cm105/cm318/details.dgn