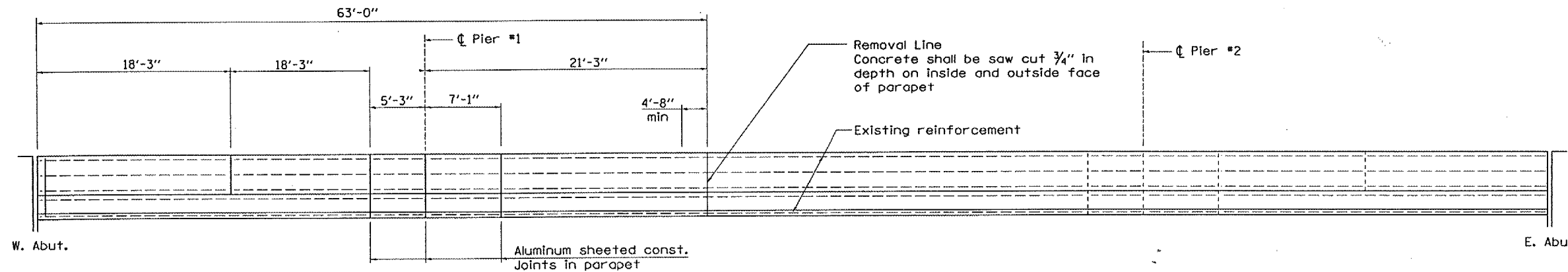


F.A.I. RTE.	SECTION	COUNTY	TOTAL SHEETS	SHEET NO.
80	(32-2B)I	GRUNDY	8	6
STA. 1067+47		TO STA. 1068+89		
FED. ROAD DIST. NO. _____		ALLENOS		



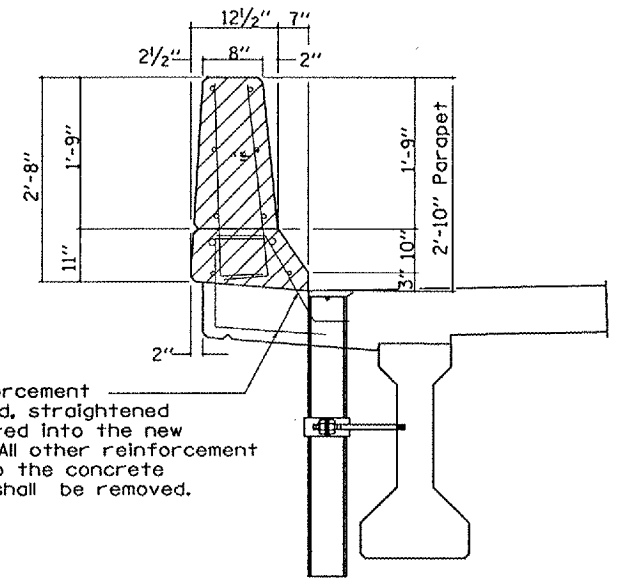
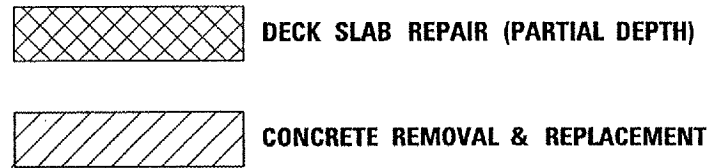
NOTE:

Existing longitudinal reinforcement extending into the concrete removal area shall be cut off at a distance of 4'-8" min from the concrete removal line, cleaned, straightened and incorporated into the new construction.

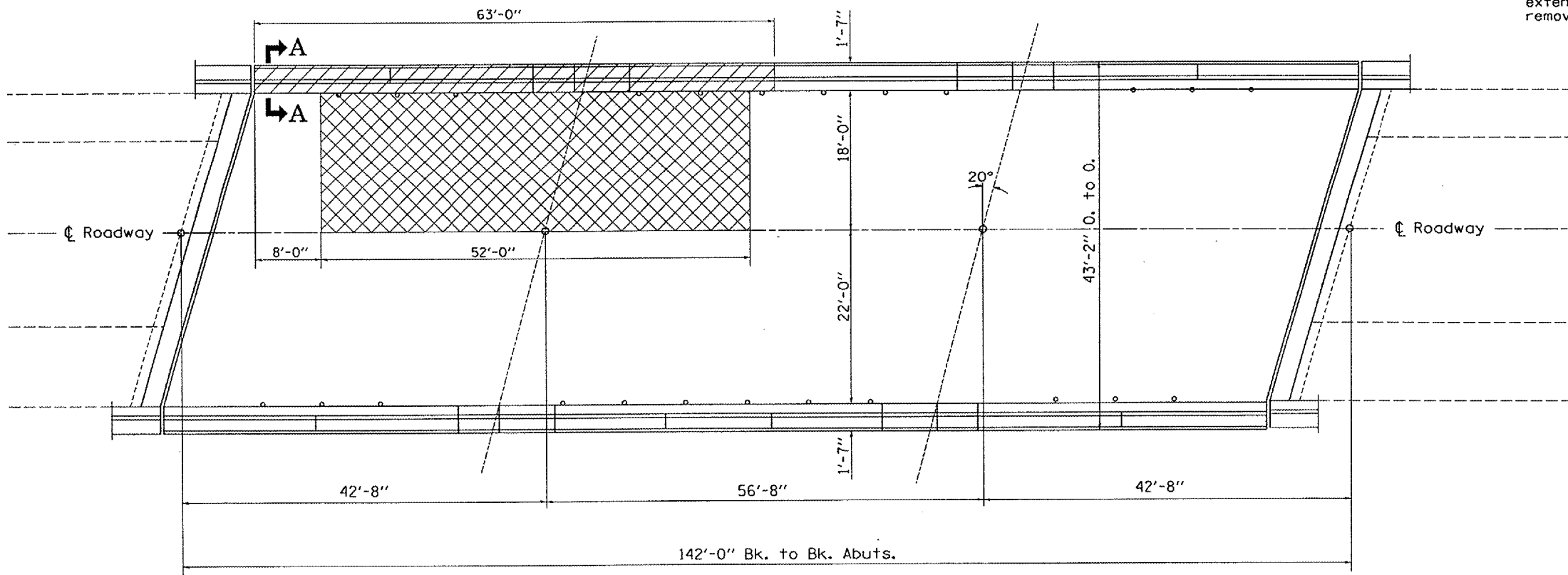
New reinforcement adjacent to construction joint shall be lapped with existing reinforcement.

The Contractor shall exercise care during deck slab repair operations so that the existing deck drains are not damaged. If the deck drains are damaged due in part of the Contractor's operations, it shall be repair or replaced at his/her expense.

ELEVATION



CURB SECTION



PLAN
STRUCTURE NO. 032-0009 (EB)

SUPERSTRUCTURE
BILL OF MATERIAL

Concrete Removal	Cu. Yds.	6.6
Deck Slab Repair (Partial Depth)	Sq. Yds.	104

REVISIONS	
NAME	DATE

ILLINOIS DEPARTMENT OF TRANSPORTATION
REMOVAL DETAILS
FAI ROUTE 80 OVER NETTLE CREEK
FAI ROUTE 80 SECTION (32-2B)I
STA. 1068 + 30
GRUNDY COUNTY
SN 032-0009 (EB)

06/23/04 7/mchd05/0320009/0320009.dgn