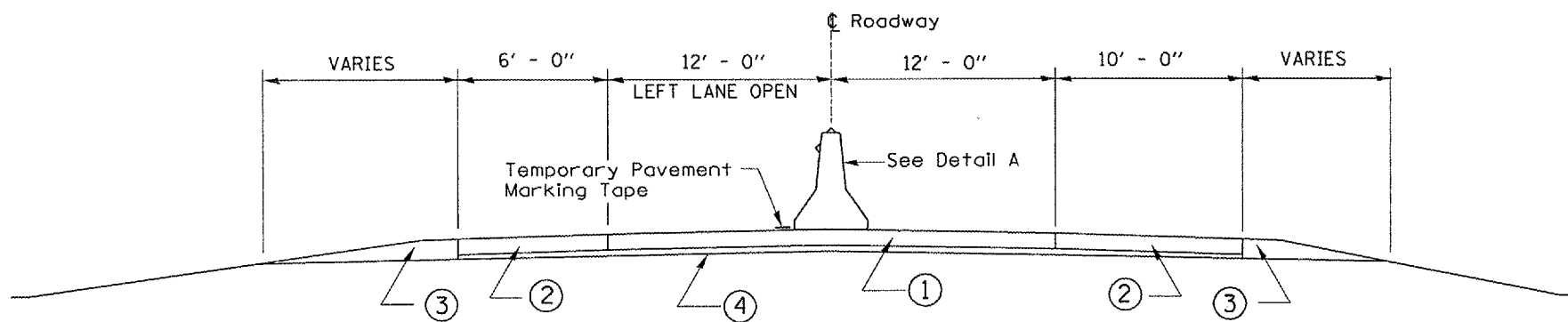


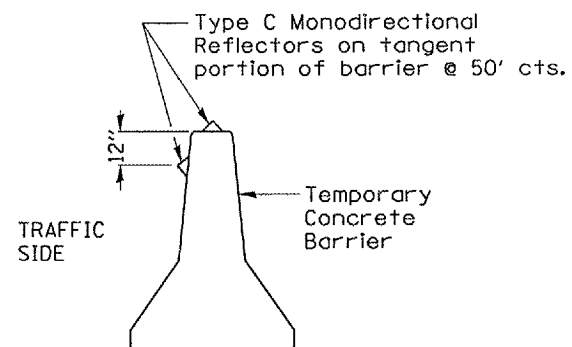
F.A.I. RTE.	SECTION	COUNTY	TOTAL SHEETS	SHEET NO.
412	150-3HB-2IBP	LASALLE	7	4
ILLINOIS				

LENGEND

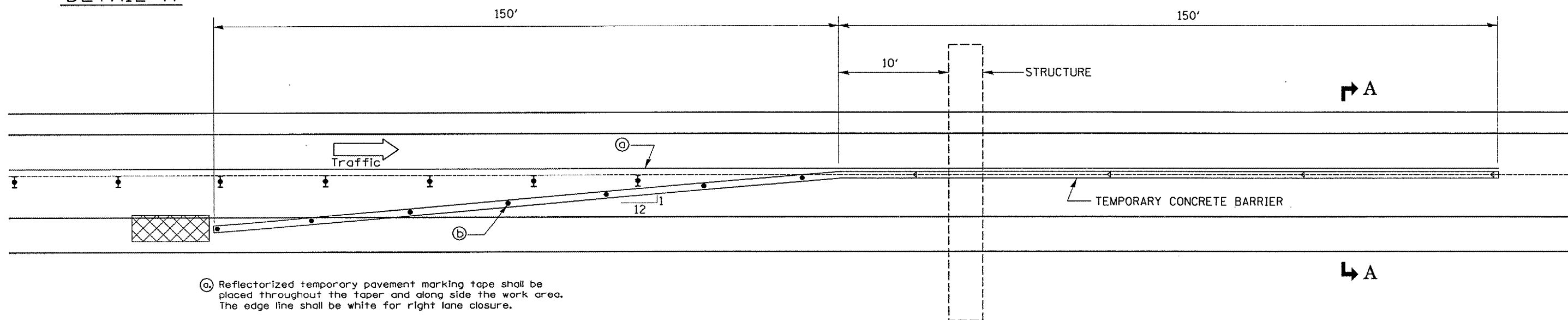
- ↑ Arrow Board
- ▨ Work Zone
- ⊢ Sign
- ⊕ Direction indicator barricade with steady burn monodirectional light
- ⊖ Type II barricade, drum or vertical barricade with steady burn monodirectional light
- Temporary concrete barrier
- ◁ Type C Monodirectional reflector
- Vertical panel with steady burn monodirectional light
- ▩ Impact attenuator



SECTION A-A



DETAIL A



PLAN

- (a) Reflectorized temporary pavement marking tape shall be placed throughout the taper and along side the work area. The edge line shall be white for right lane closure.
- (b) Vertical panels at 25' centers with steady burning monodirectional lights.

REVISIONS	
NAME	DATE

ILLINOIS DEPARTMENT OF TRANSPORTATION

**TRAFFIC CONTROL DETAILS
RIGHT LANE CLOSURE**

SCALE: VERT.
HORIZ.
DATE 6/21/04

DRAWN BY RW
CHECKED BY

Work this sheet with Traffic Control Standards 701400 & 701402