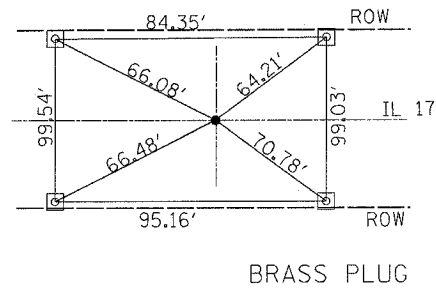


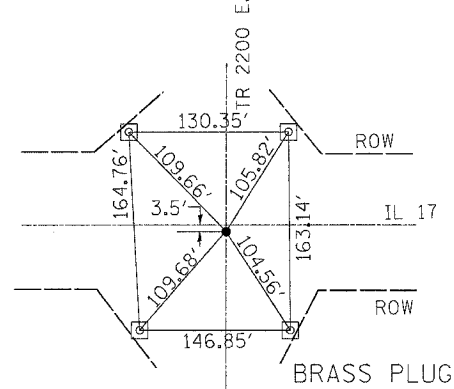
F.A.P. RTE.	SECTION	COUNTY	TOTAL SHEETS	SHEET NO.
649	*	LIVINGSTON	15	9
STA.		TO STA.		
FED. ROAD DIST. NO.	ILLINOIS	FED. AID PROJECT		

•(16)RS-4,(17,28)RS-2

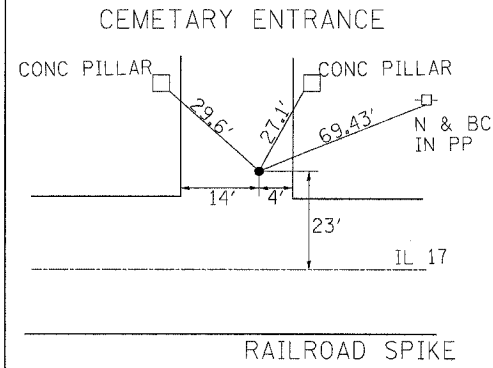
NE CORNER, NW 1/4 SEC. 9  
T30N, R6E



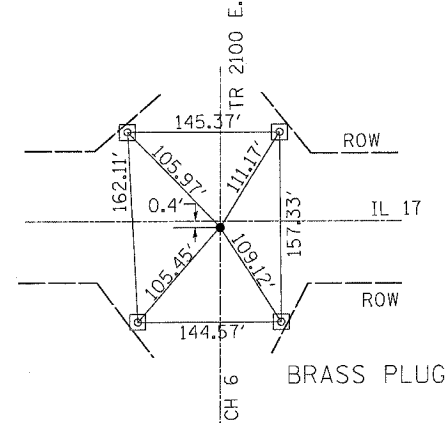
NE CORNER SEC. 10  
T30N, R6E



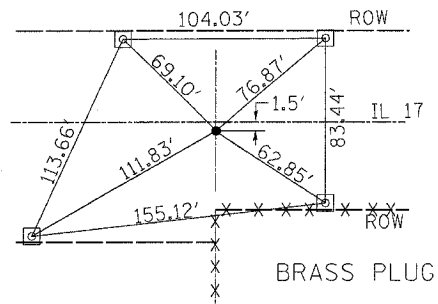
SOUTH 1/4 COR., SEC. 1  
T30N, R6E



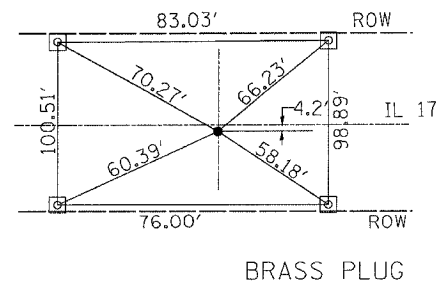
NE CORNER SEC. 9  
T30N, R6E



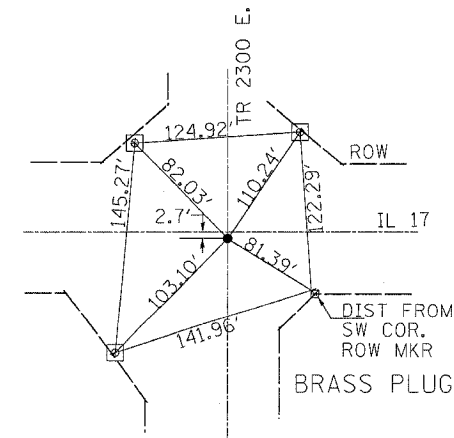
NE CORNER, NW 1/4 SEC. 11  
T30N, R6E



NE CORNER, NW 1/4 SEC. 10  
T30N, R6E



NE CORNER SEC. 11  
T30N, R6E



PLOT DATE = 11/3/2004  
FILE NAME = #FILE#  
PLOT SCALE = #SCALE#  
REFERENCE = #REF#

REVISIONS	
NAME	DATE

ILLINOIS DEPARTMENT OF TRANSPORTATION

# TIE POINTS

SCALE: VERT.  
HORIZ.  
DATE

DRAWN BY  
CHECKED BY