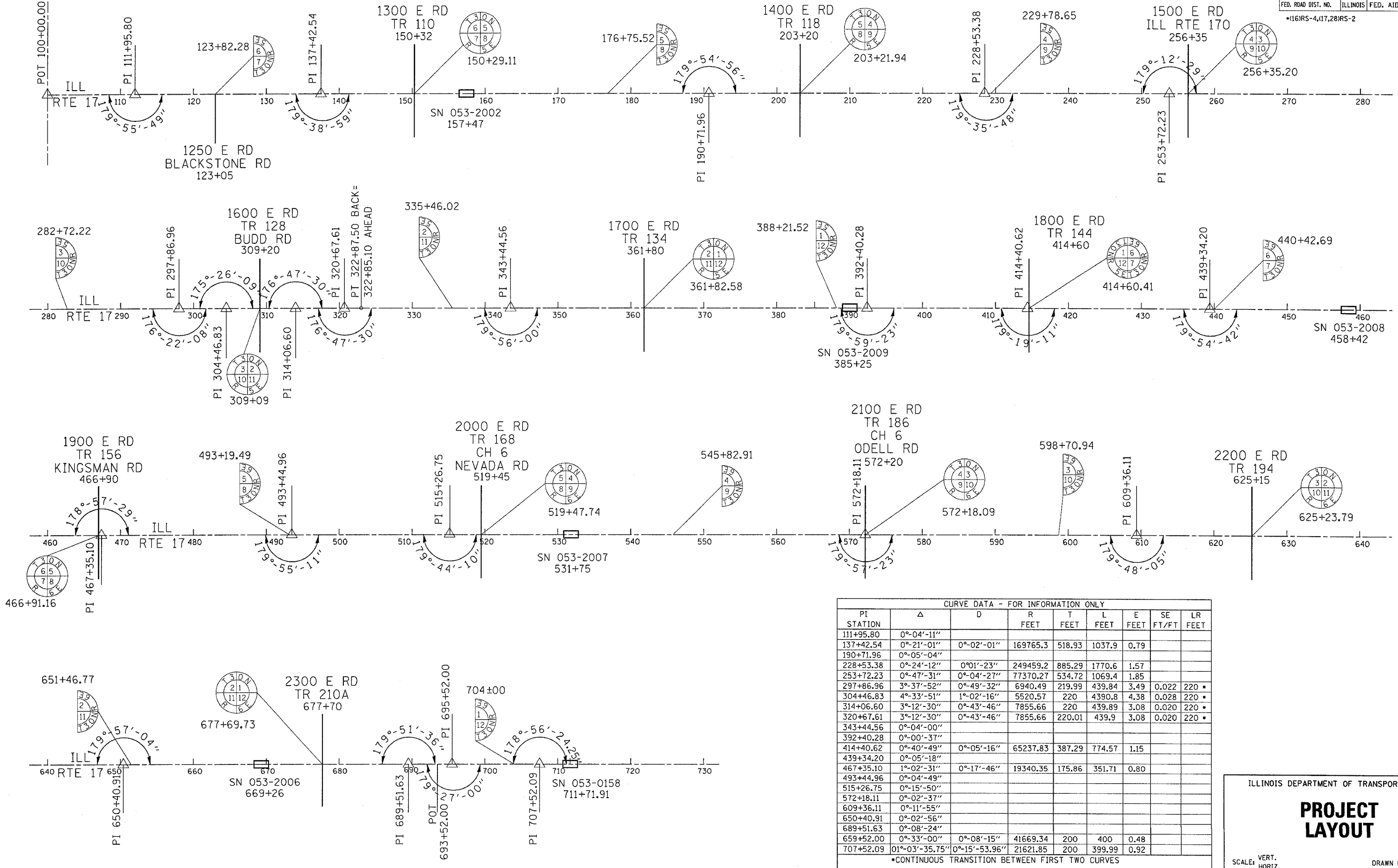


F.A.P. RTE.	SECTION	COUNTY	TOTAL SHEETS	SHEET NO.
649	*	LIVINGSTON	15	10
STA.	TO STA.			
FED. ROAD DIST. NO.	ILLINOIS	FED. AID PROJECT		
*(16)RS-4,(17,28)RS-2				

ILL RTE 18
100+00.00



CURVE DATA - FOR INFORMATION ONLY

PI STATION	Δ	D	R FEET	T FEET	L FEET	E FEET	SE FT/FT	LR FEET
111+95.80	0°-04'-11"							
137+42.54	0°-21'-01"	0°-02'-01"	169765.3	518.93	1037.9	0.79		
190+71.96	0°-05'-04"							
228+53.38	0°-24'-12"	0°01'-23"	249459.2	885.29	1770.6	1.57		
253+72.23	0°-47'-31"	0°-04'-27"	77370.27	534.72	1069.4	1.85		
297+86.96	3°-37'-52"	0°-49'-32"	6940.49	219.99	439.84	3.49	0.022	220 *
304+46.83	4°-33'-51"	1°-02'-16"	5520.57	220	4390.8	4.38	0.028	220 *
314+06.60	3°-12'-30"	0°-43'-46"	7855.66	220	439.89	3.08	0.020	220 *
320+67.61	3°-12'-30"	0°-43'-46"	7855.66	220.01	439.9	3.08	0.020	220 *
343+44.56	0°-04'-00"							
392+40.28	0°-00'-37"							
414+40.62	0°-40'-49"	0°-05'-16"	65237.83	387.29	774.57	1.15		
439+34.20	0°-05'-18"							
467+35.10	1°-02'-31"	0°-17'-46"	19340.35	175.86	351.71	0.80		
493+44.96	0°-04'-49"							
515+26.75	0°-15'-50"							
572+18.11	0°-02'-37"							
609+36.11	0°-11'-55"							
650+40.91	0°-02'-56"							
689+51.63	0°-08'-24"							
659+52.00	0°-33'-00"	0°-08'-15"	41669.34	200	400	0.48		
707+52.09	01°-03'-35.75"	0°-15'-53.96"	21621.85	200	399.99	0.92		

*CONTINUOUS TRANSITION BETWEEN FIRST TWO CURVES

PLOT DATE: 11/8/2004
 FILE NAME: 111818.DWG
 PLOT SCALE: 1"=40'
 REFERENCE: SEE PLAN

ILLINOIS DEPARTMENT OF TRANSPORTATION

PROJECT LAYOUT

SCALE: VERT. 1"=40'
HORIZ. 1"=40'

DRAWN BY: _____
CHECKED BY: _____