

| | | | | |
|-----------------------|-------------|----------------|--------------|-----------|
| CONTRACT NO. 68074 | | | | |
| F.A.S. | SECTION | COUNTY | TOTAL SHEETS | SHEET NO. |
| 1379 | (108B) BR-1 | STARK | 33 | 4 |
| STA. 210+02 | | TO STA. 217+40 | | |
| FED. ROAD DIST. NO. 4 | | ILLINOIS | | IL RTE 91 |

INDIAN CREEK TRIB SEC (108B) BR-1

STRUCTURAL DESIGN TRAFFIC: YEAR 2012
 PV= 1381 SU= 59 MU= 29

ROAD/STREET CLASSIFICATION: CLASS III

PERCENT OF STRUCTURAL DESIGN TRAFFIC IN DESIGN LANE:
 P= 0.5 S= 0.5 M= 0.5

TRAFFIC FACTOR: ACTUAL TF= 0.18
 MINIMUM TF= _____ AC TYPE= 20

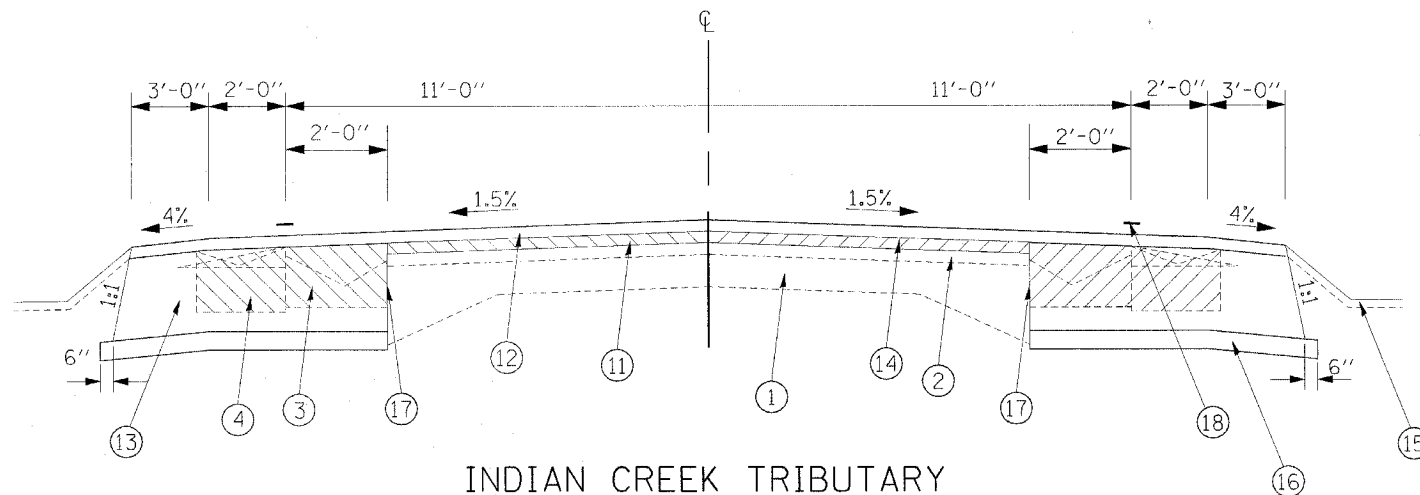
SUBGRADE SUPPORT RATING:
 SSR= POOR (STA _____ TO _____)
 SSR= _____ (STA _____ TO _____)

MODIFIED AASHTO

USE: BITUMINOUS CONCRETE SURFACE COURSE,
 SUPERPAVE, MIX "C", N50 2"

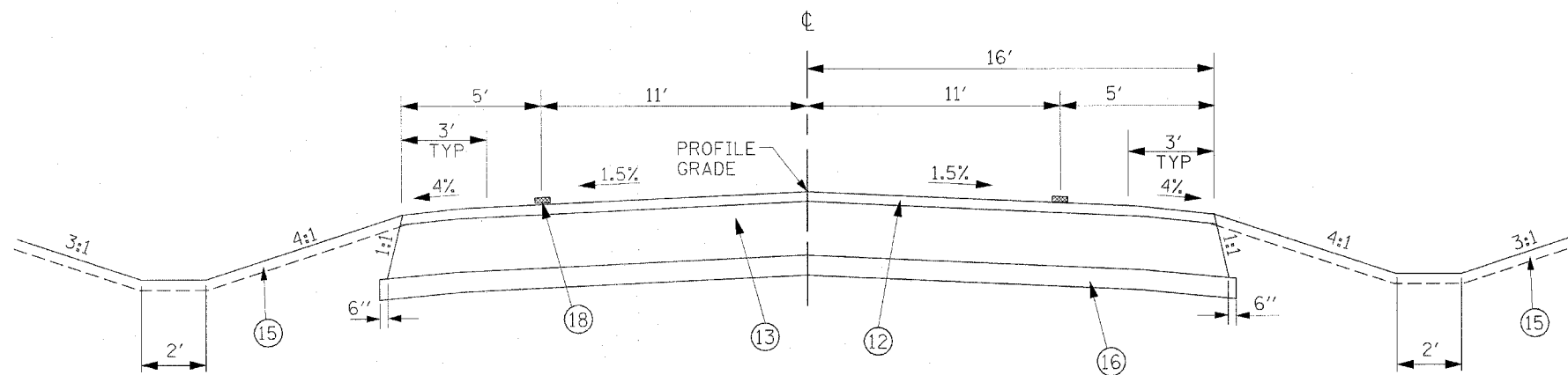
BITUMINOUS CONCRETE BINDER COURSE, (TONAGE)
 SUPERPAVE, IL-19.0, N50, 8 1/2"

SUB-BASE GRANULAR MATERIAL, TYPE B 4"



INDIAN CREEK TRIBUTARY PROP TYPICAL SECTION

STA 210+02 TO STA 214+18
 STA 214+78 TO STA 217+40



INDIAN CREEK TRIB PROP TYPICAL SECTION

STA 214+18.00 TO STA 214+78.00

LEGEND

- ① EXISTING 9-6-9 CONCRETE PAVEMENT
- ② EXISTING BITUMINOUS OVERLAY
- ③ EXISTING BITUMINOUS WIDENING OR BURIED GUTTER TO BE REMOVED
- ④ EXISTING AGGREGATE SHOULDERS OR GUTTER TYPE A (MODIFIED) TO BE REMOVED
- ⑪ PROPOSED BITUMINOUS SURFACE REMOVAL 2"
- ⑫ PROPOSED BITUMINOUS CONC. SURFACE COURSE SUPERPAVE MIX "C", N 50 (2")
- ⑬ PROPOSED BITUMINOUS CONC. BINDER COURSE SUPERPAVE IL 19.0, N 50 (8 1/2")
- ⑭ PROPOSED LEVELING BINDER (M.M) SUPERPAVE N50 (3/4")
- ⑮ PROPOSED TOPSOIL PLACEMENT 4"
- ⑯ PROPOSED SUB-BASE GRANULAR MATERIAL TYPE B 4"
- ⑰ PROPOSED FULL DEPTH SAW CUT & PAVEMENT REMOVAL
- ⑱ PROPOSED PAVEMENT MARKING LINE 4"

NOTE: SEE CROSS SECTIONS
 FOR DITCH ELEVATIONS.

| REVISIONS | |
|-----------|------|
| NAME | DATE |
| | |
| | |
| | |
| | |
| | |

ILLINOIS DEPARTMENT OF TRANSPORTATION

TYPICAL SECTIONS

SCALE: NO SCALE

DATE: 06-2004