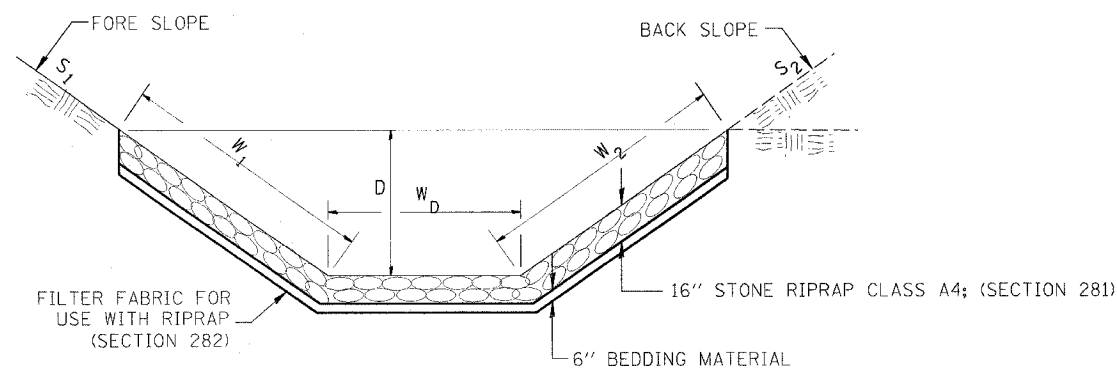


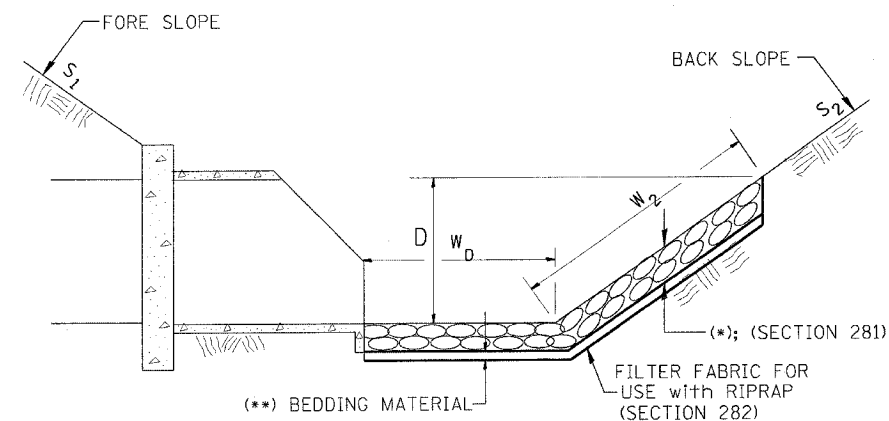
**CASE 1**  
(DITCH)



STONE RIPRAP CLASS A4				
LOCATION	WIDTH (1)	LENGTH	RIPRAP	FABRIC
STA TO STA	m (lin ft)	m (lin ft)	m tons (tons)	m <sup>2</sup> (sq yds)
RT 211+18 TO 211+69	8	50	30	45
LT 211+23 TO 211+53	8	30	18	27
RT 213+97 TO 214+29	11	31	25	38
LT 213+97 TO 214+29	15	32	35	53
RT 214+67 TO 214+99	9	31	21	31
LT 214+67 TO 214+99	12.5	32	30	44
<b>TOTAL</b>			159	238

(1) WIDTH =  $W_1 + W_2 + W_D$

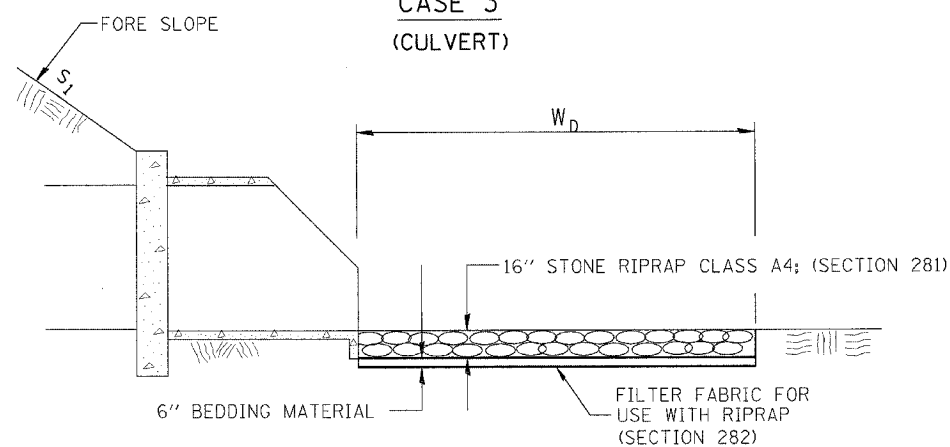
**CASE 2**  
(CULVERT & SLOPE)



(*)				
LOCATION	WIDTH (1)	LENGTH	RIPRAP	FABRIC
STA TO STA	m (lin ft)	m (lin ft)	m tons (tons)	m <sup>2</sup> (sq yds)
<b>TOTAL</b>				

(1) WIDTH =  $W_2 + W_D$

**CASE 3**  
(CULVERT)



STONE RIPRAP CLASS A4				
LOCATION	WIDTH (1)	LENGTH	RIPRAP	FABRIC
STA TO STA	m (lin ft)	m (lin ft)	m tons (tons)	m <sup>2</sup> (sq yds)
RT 214+29 TO 214+67	38	27	70	105
LT 214+29 TO 214+67	37	26	65	98
<b>TOTAL</b>			135	203

(1) WIDTH =  $W_D$

All slope ratios are expressed as units of vertical displacement to units of horizontal displacement (V:H).

All dimensions are in millimeters (inches) unless otherwise noted.

ILLINOIS DEPARTMENT OF TRANSPORTATION

SPECIAL DETAIL SHEET

RIPRAP DITCH FOR EROSION PROTECTION

CADD DETAIL 281001-D4

SCALE: NOT DRAWN TO SCALE

DATE: 10/25/2004

DRAWN BY CADD

CHECKED BY

DATE	REVISIONS	BY
1-1-97	RENUM. A-12.02, NEW REVISION BOX	T.P.
12-1-97	CORRECT FILTER FABRIC LEADER ARROW	J.A.

281001-D4