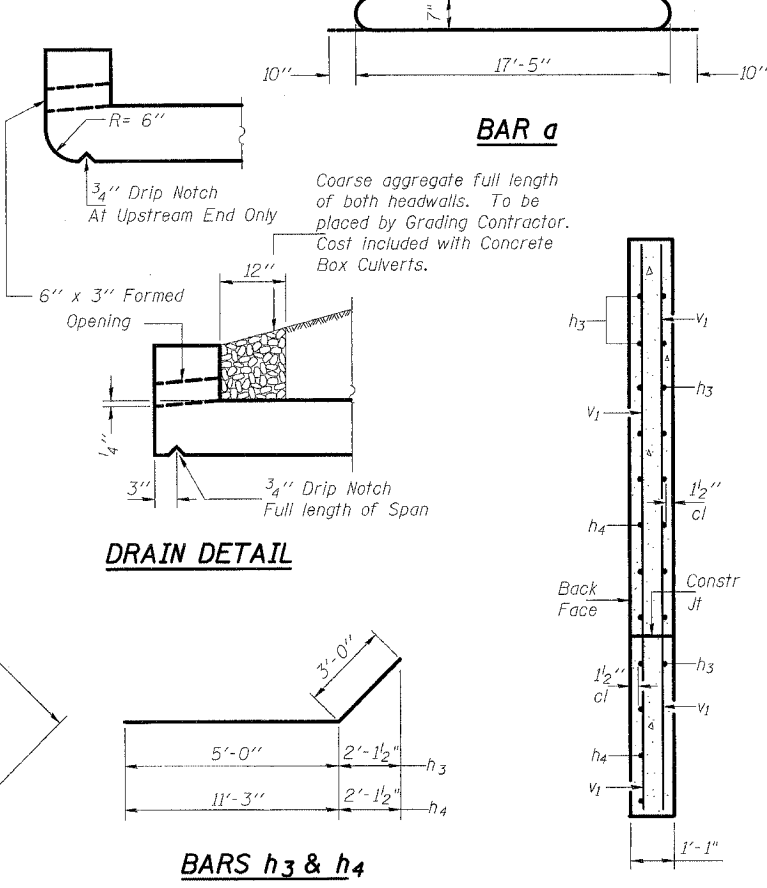
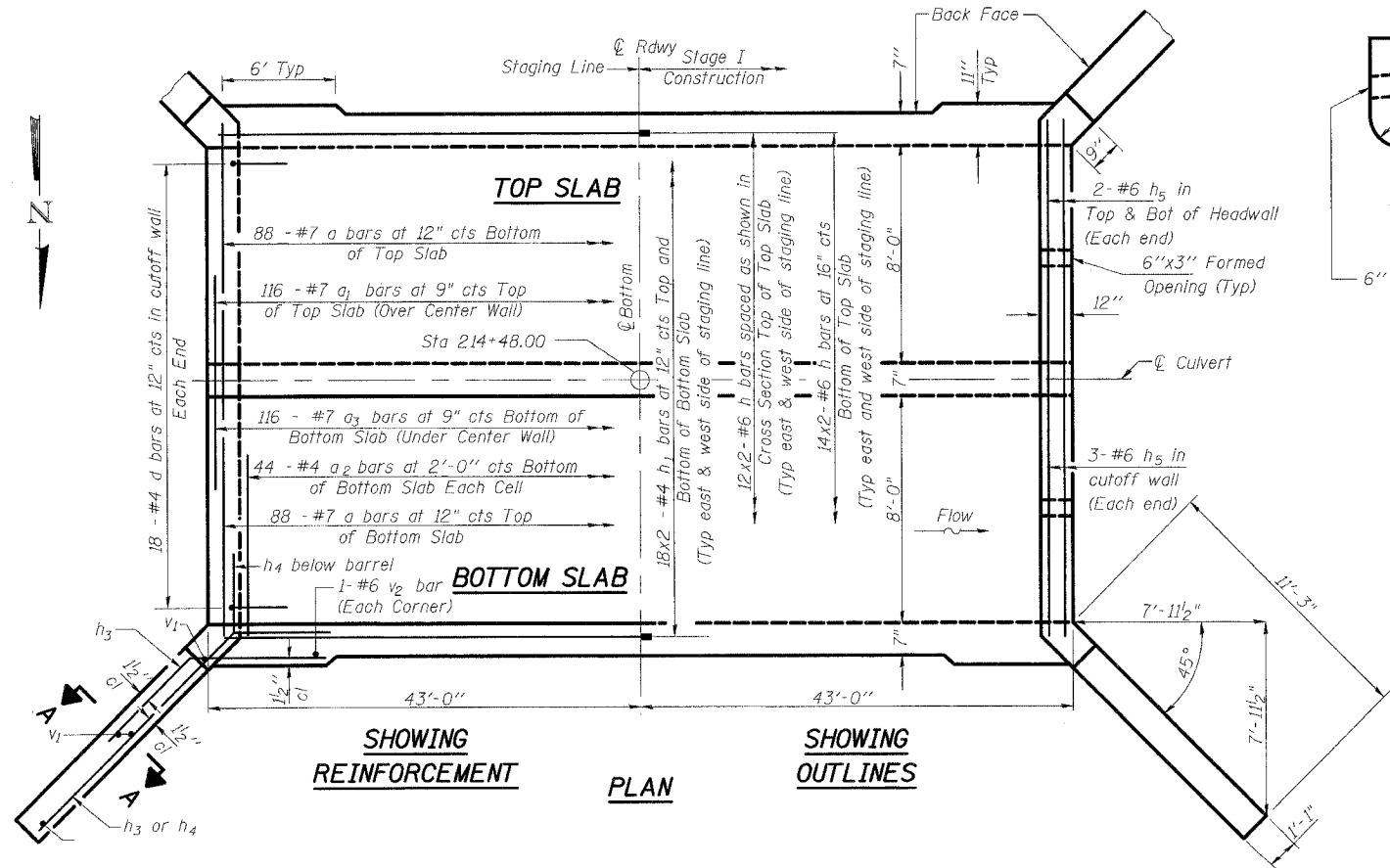
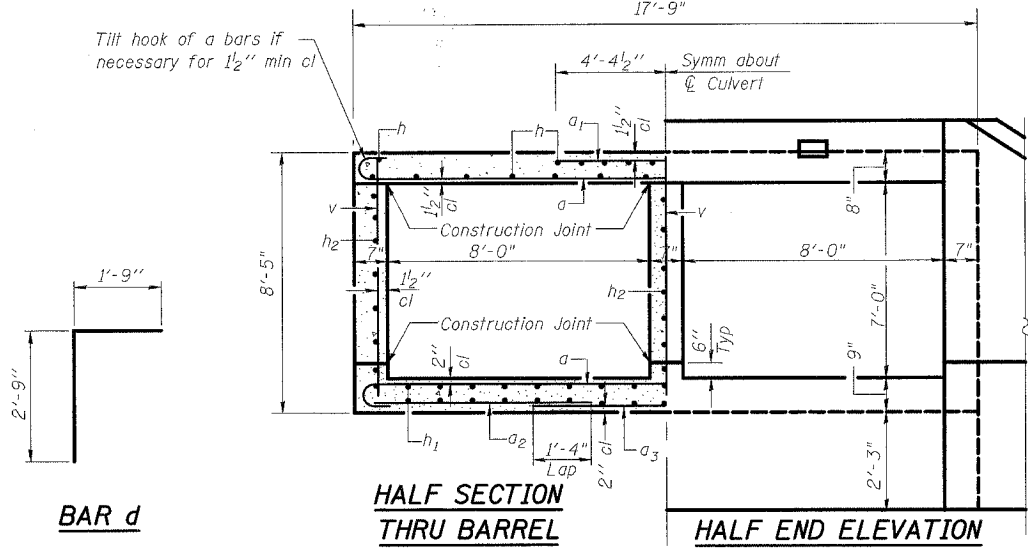
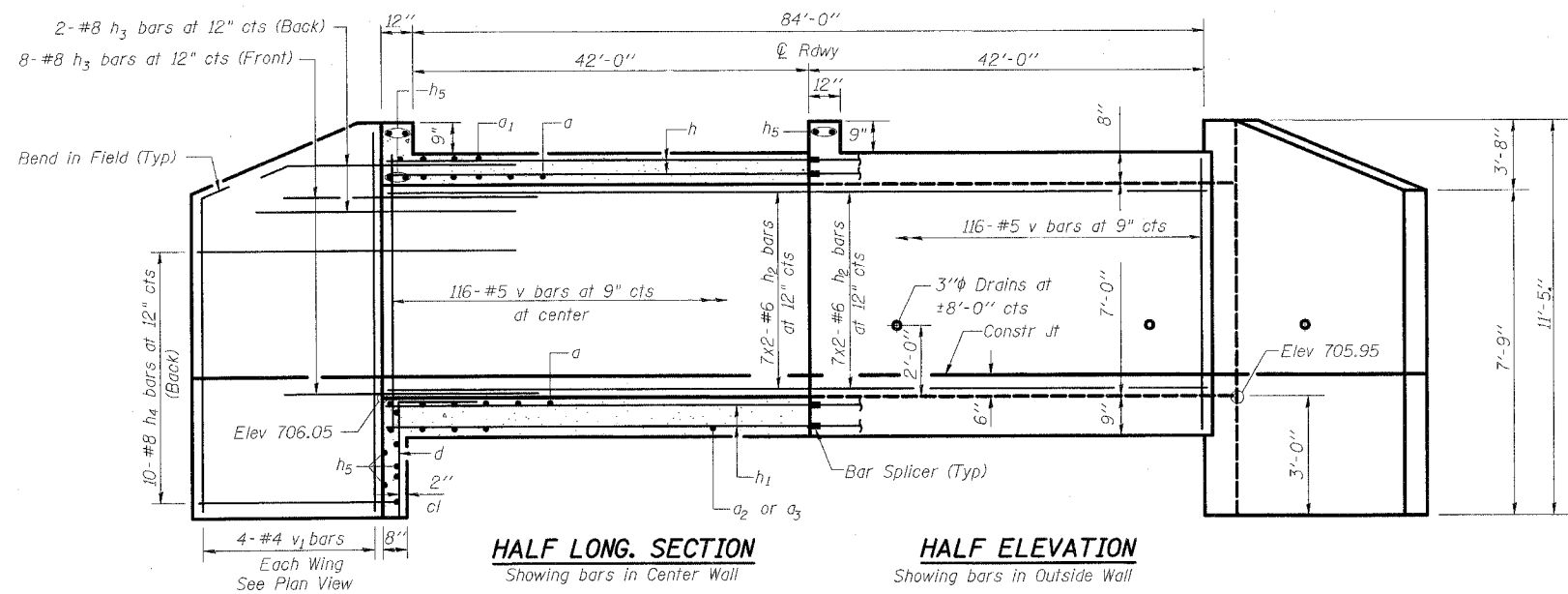


STATE OF ILLINOIS
DEPARTMENT OF TRANSPORTATION

68074

FAS RTE	SECTION	COUNTY	TOTAL SHEETS	SHEET NO
1379	(108B)BR-1	STARK	33	25
STA 214+48.00			ILLINOIS	



BILL OF MATERIAL

Bar	No.	Size	Length	Shape
a	176	#7	19'-1"	U
a1	116	#7	8'-9"	U
a2	88	#4	5'-9"	U
a3	116	#7	6'-8"	U
d	36	#4	4'-6"	J
h	104	#6	22'-5"	U
h1	144	#4	22'-1"	U
h2	84	#6	22'-5"	U
h3	40	#8	8'-0"	U
h4	40	#8	14'-3"	U
h5	16	#6	17'-9"	U
v	348	#5	8'-0"	U
v1	16	#4	11'-0"	U
v2	4	#4	7'-10"	U
Concrete Box Culverts			Cu Yd	143
Reinforcement Bars			Pound	25,270
Bar Splicers			Each	83

DESIGNED	CJM
CHECKED	TAR
DRAWN	JJC
CHECKED	CJM

Notes: A distance of half the length of the wingwall but not less than six feet of the barrel shall be poured monolithically with the wingwalls. Bars indicated thus 18x2-#4 etc indicates 18 lines of bars with 2 lengths per line.

MIN BAR LAP
#4 = 1'-4"
#6 = 2'-0"

CULVERT DETAILS
FAS 1379 (IL RTE 91) OVER
INDIAN CREEK TRIBUTARY
SECTION (108B)BR-1
STARK COUNTY STA 214+48.00
SN 088-2500