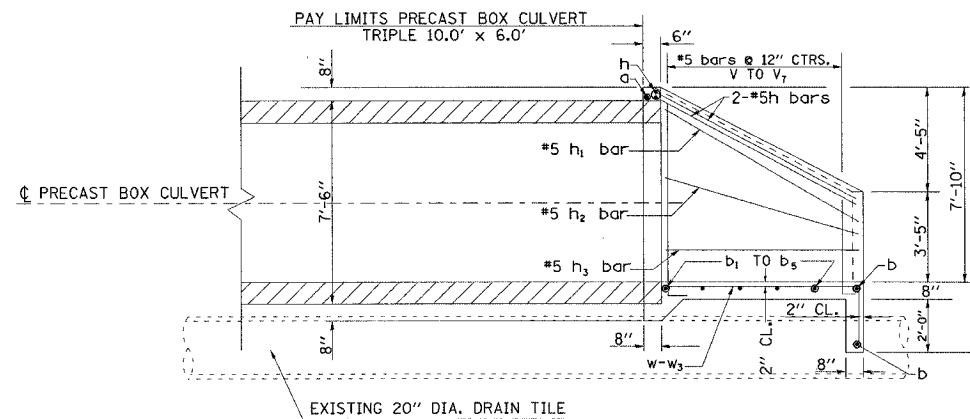
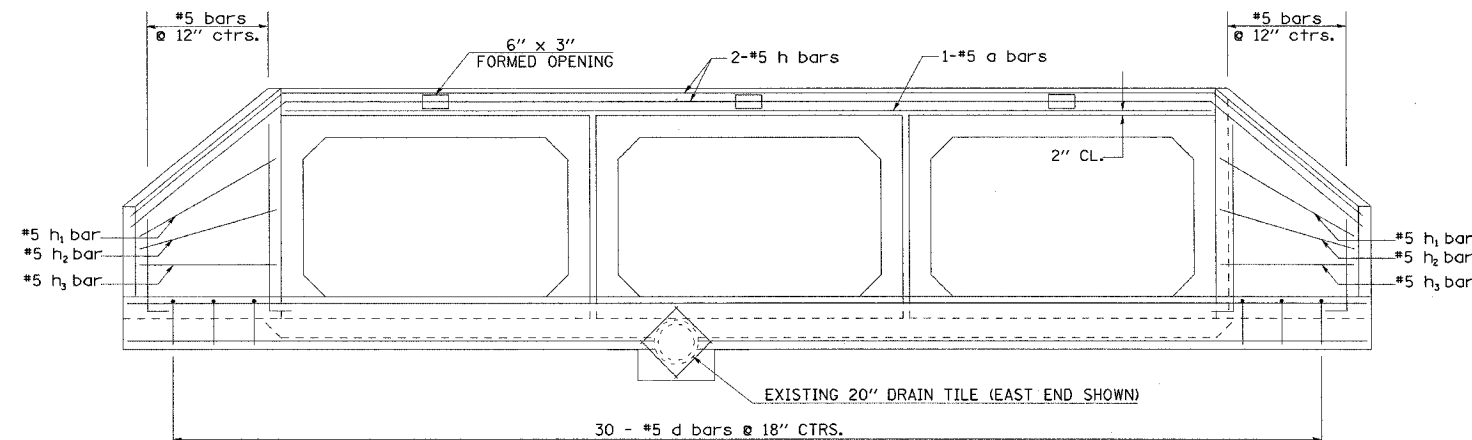


F.A.P. RTE.	SECTION	COUNTY	TOTAL SHEETS	SHEET NO.
332	(48X-2)BR-2	VERMILION	26	13

CONTRACT NO. 70017



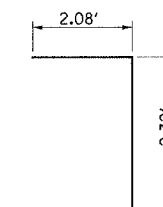
SECTION A-A



END VIEW

NOTES

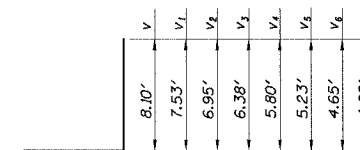
- All bars shall be round and shall conform to the requirements of Art. 1006.10 of the Standard Specifications.
- Class SI Concrete Headwalls shall be used throughout.
- Build tops of headwalls parallel to grade line.
- The Precast Concrete Box Culvert Sections shall conform to the requirements of AASHTO M273.
- All dimensions are in inches (in.) unless otherwise noted.
- The last 8 inch of the Precast Concrete Box Culvert shall have reinforcement exposed to be incorporated with cast-in-place headwall.
- The contractor shall verify location of existing 20" dia. drain tile and protect same during construction.



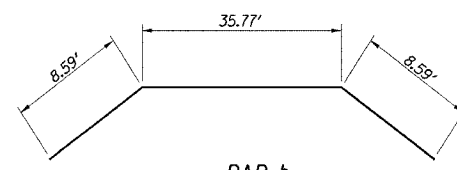
BAR d

BILL OF MATERIAL (ONE HEADWALL)

Bar	No.	Size	Length (ft)	Shape
a	1	#5	35.15	---
b	2	#5	46.95	---
b ₁	1	#5	36.79	---
b ₂	1	#5	38.79	---
b ₃	1	#5	40.79	---
b ₄	1	#5	42.79	---
b ₅	1	#5	44.79	---
d	30	#5	4.40	┘
h	2	#5	52.95	┘
h ₁	2	#5	8.46	---
h ₂	2	#5	7.64	---
h ₃	2	#5	7.33	---
v	2	#5	10.10	┘
v ₁	2	#5	9.53	┘
v ₂	2	#5	8.95	┘
v ₃	2	#5	8.38	┘
v ₄	2	#5	7.80	┘
v ₅	2	#5	7.23	┘
v ₆	2	#5	6.65	┘
v ₇	2	#5	6.08	┘
v ₈	4	#4	4.00	---
w	2	#5	1.34	---
w ₁	2	#5	2.84	---
w ₃	2	#5	3.71	---



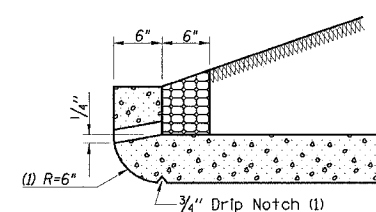
BARS v, v₁, v₂, etc.



BAR h

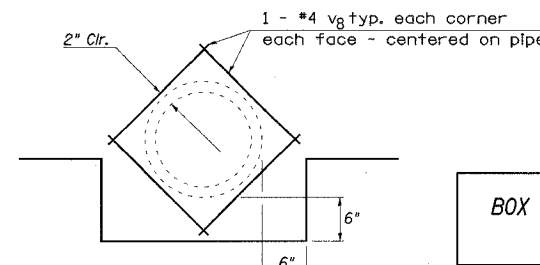
STATION 724+23.00
BUILT 200 BY
STATE OF ILLINOIS
F.A.P. RT. 332 SEC. (48X-2)BR-2
LOADING HS20
STR. NO. 092-2038

NAME PLATE
See Std. 515001



SECTION THRU HEADWALL

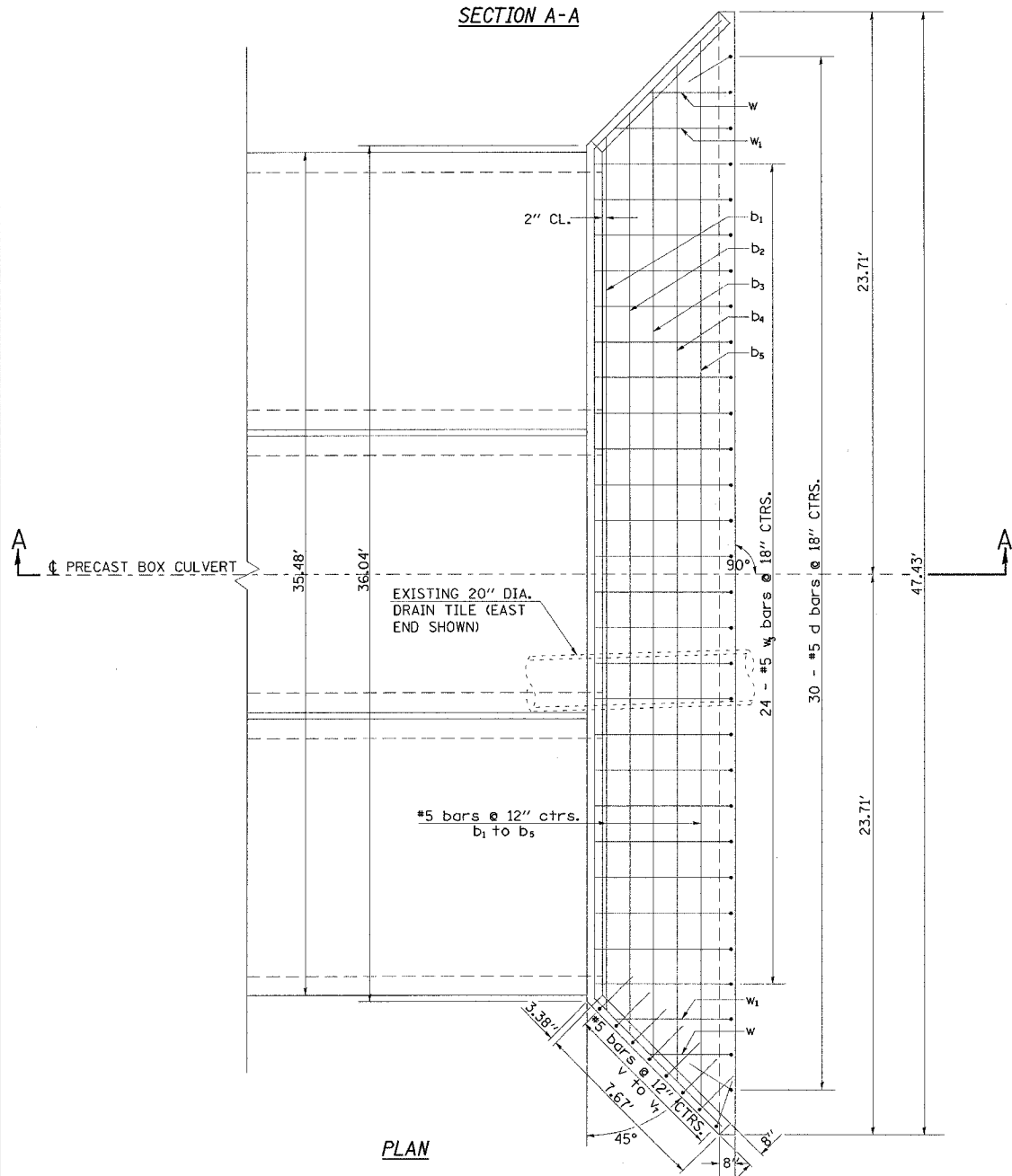
(1) (Up Stream End Only)
PLACE COURSE AGGREGATE WRAPPED IN FABRIC-FULL LENGTH OF BOTH HEADWALLS. COST INCIDENTAL TO CONTRACT.



DETAIL OF PIPE THRU TOE WALLS

ESTIMATED QUANTITIES

REINFORCEMENT BARS	LBS.	881
CLASS SI CONC HEADWALL	CU. YD.	18



PLAN

BOX CULVERT END SECTIONS (CAST IN PLACE)
STATION 724+23.00 0° SKEW

REINFORCED CONCRETE HEADWALL DETAILS