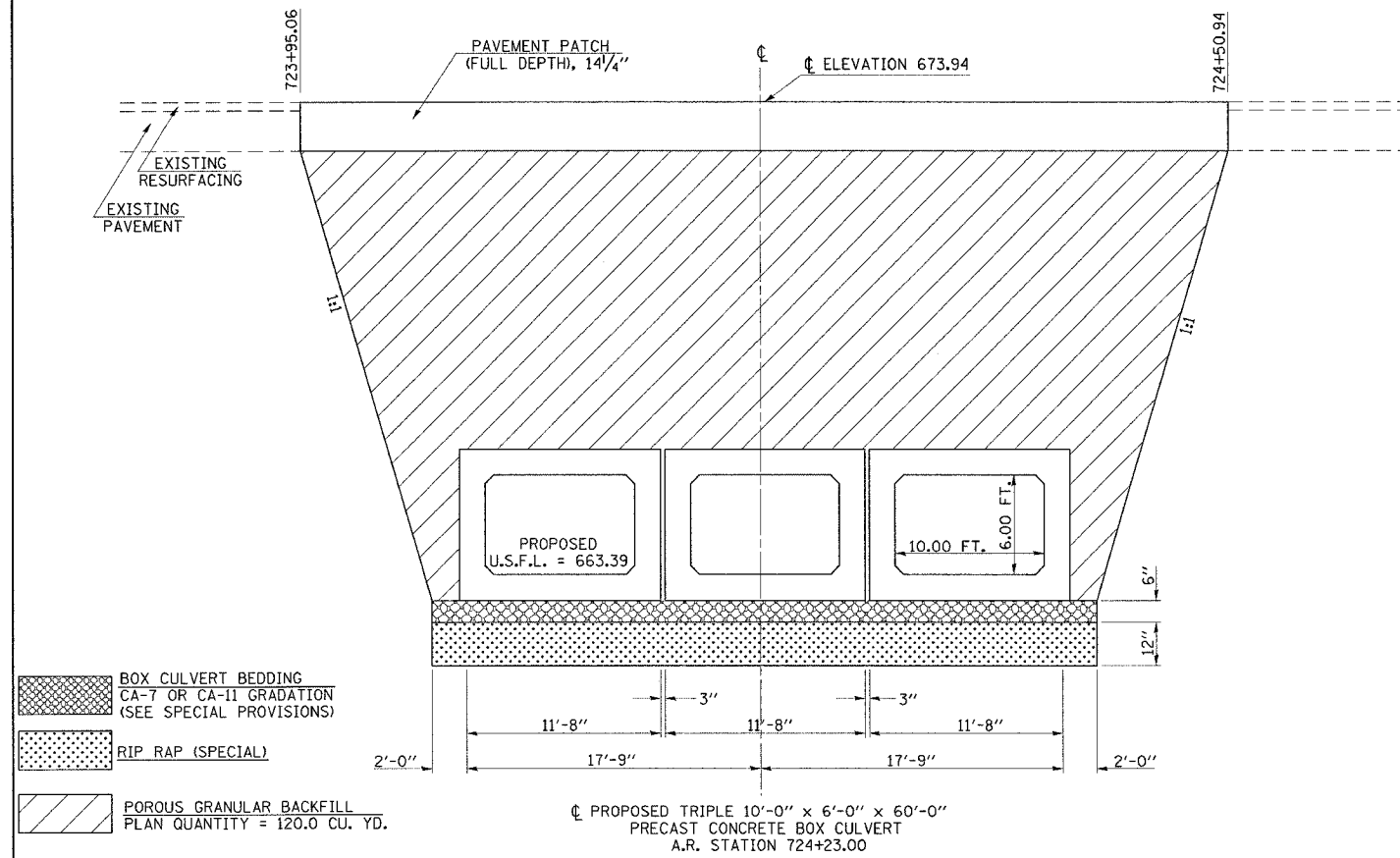


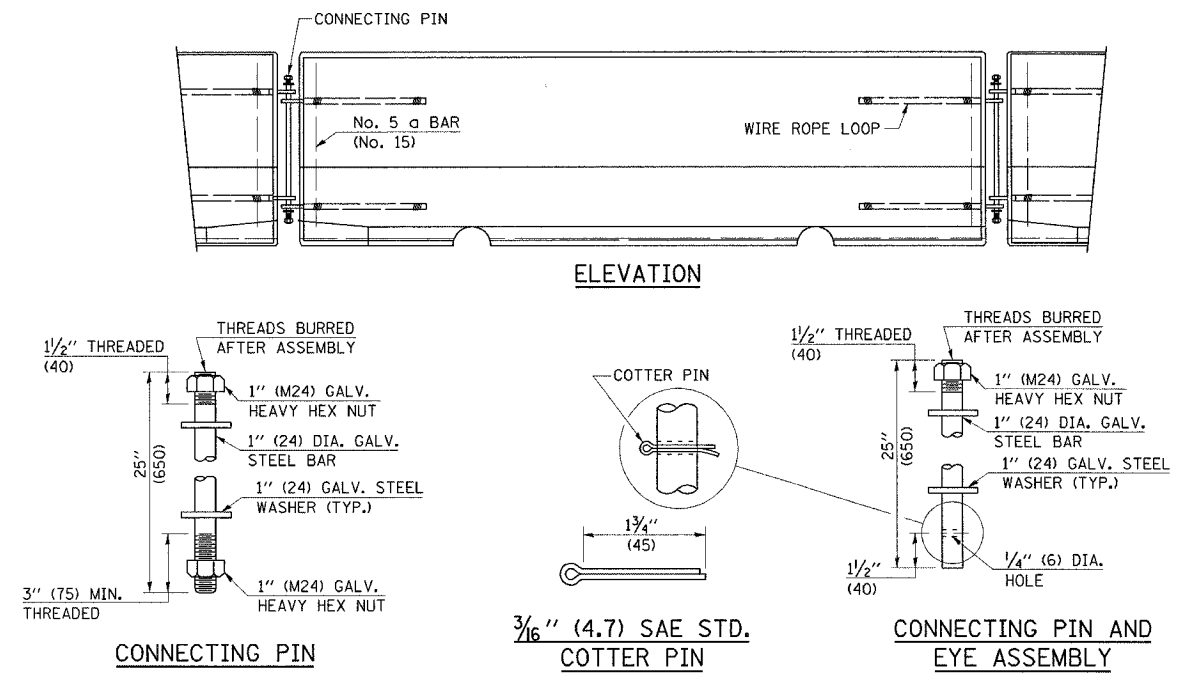
DETAIL OF POROUS GRANULAR BACKFILL PAY LIMITS



| F.A.P. RTE. | SECTION | COUNTY | TOTAL SHEETS | SHEET NO. |
|-------------|-------------|-----------|--------------|-----------|
| 332 | (48X-2)BR-2 | VERMILION | 26 | 15 |

CONTRACT NO. 70017

SPECIAL DETAIL OF ALTERNATE CONNECTING PINS



| | NAME | DATE | REVISIONS | |
|----------|--------|------|-----------|-------|
| | | | NAME | DATE |
| DESIGNED | | | | |
| CHECKED | | | K.A.G. | 08/03 |
| CADD NO. | F-3.02 | | | |

ALL DIMENSIONS ARE IN INCHES (MILLIMETERS) UNLESS OTHERWISE SHOWN.

NOTE: THESE CONNECTING PINS SHALL BE USED IN LIEU OF THE CONNECTING PINS ON STANDARD 704001.