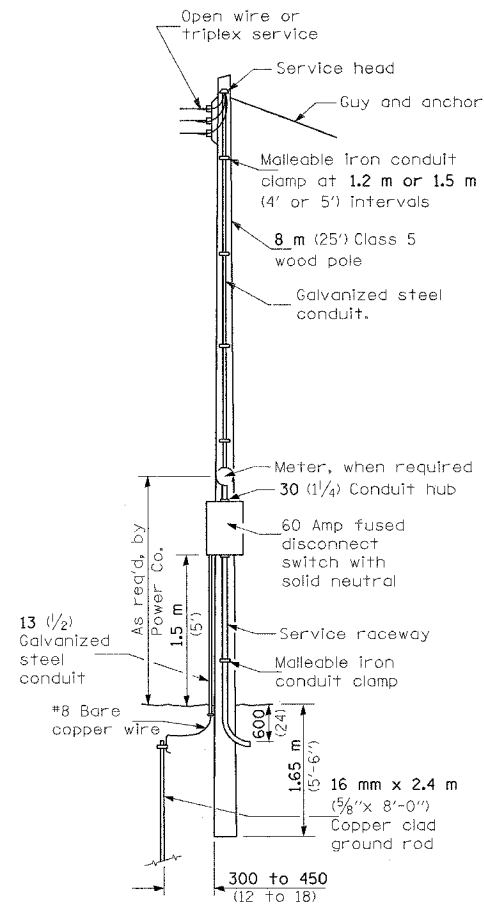
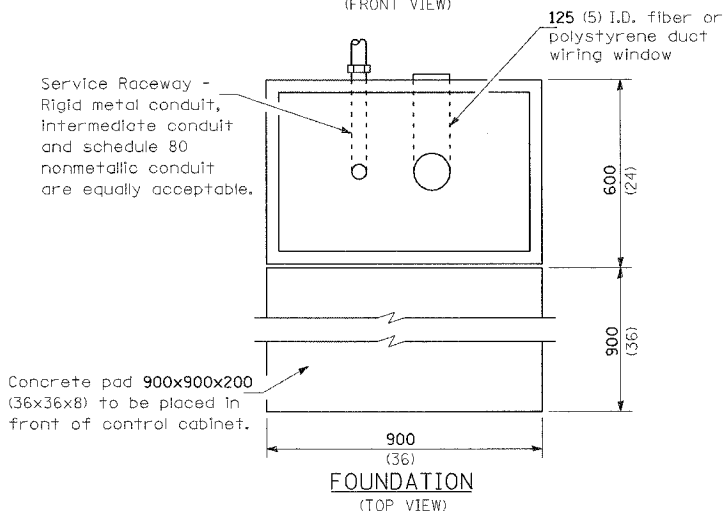
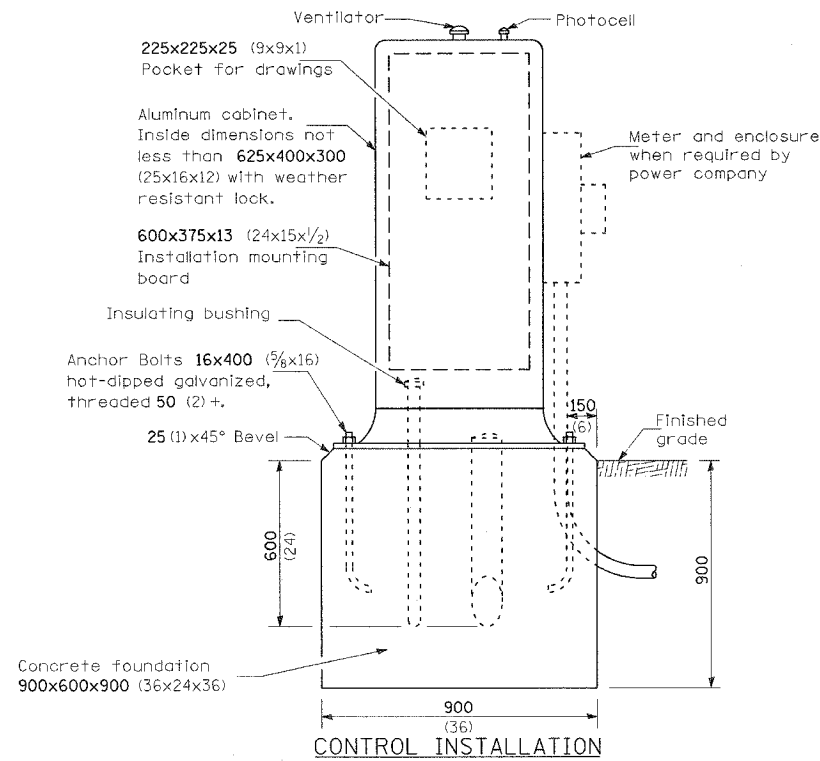


F.A.I. RTE.	SECTION	COUNTY	TOTAL SHEETS	SHEET NO.
57		CHAMPAIGN	10	10

CONTRACT NO. 70441
 D-5 CONTRACT MAINT 2005-1

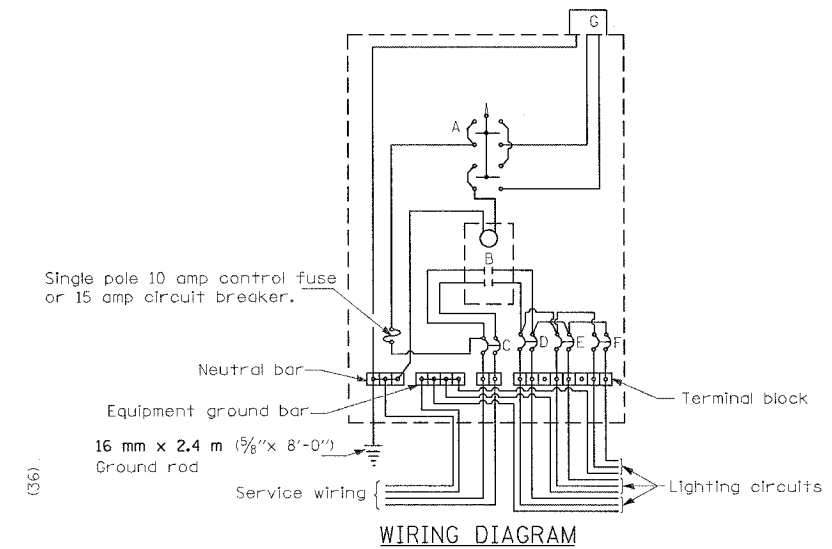


SERVICE POLE



- 240 V. SERVICE
- 480 V. SERVICE

- A Selector switch
- B 2 Pole 60 amp contactor
- C 2 Pole 60 amp service disconnect
- D,E,F 2 Pole 30 amp breakers
- G Photocell w/Integral surge arrester



GENERAL NOTES

Locate service pole and control installation adjacent to R.O.W. line with a minimum distance of 9 m (30') from the edge of pavement. Exact location shall be established by the Engineer.

The underground service entrance wiring shall not exceed 46 m (150'). Total aerial and underground service between the control installation and primary transformer shall not exceed 76 m (250').

Raceways shall terminate 75 (3) above top of concrete foundation.

For 480 V. systems, a 480/120 V. control transformer will be required.

All dimensions are in millimeters unless otherwise shown.

DATE	REVISIONS	CONTROL INSTALLATION TYPE CB-RCS-60

LGT005.M32