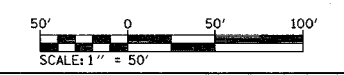
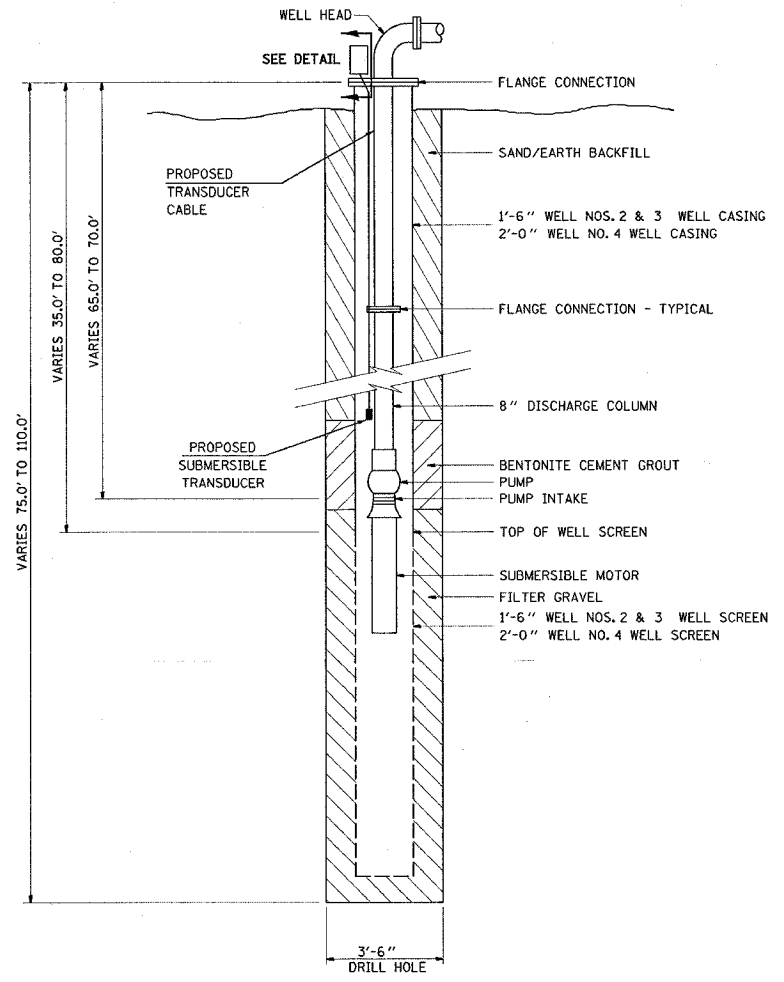
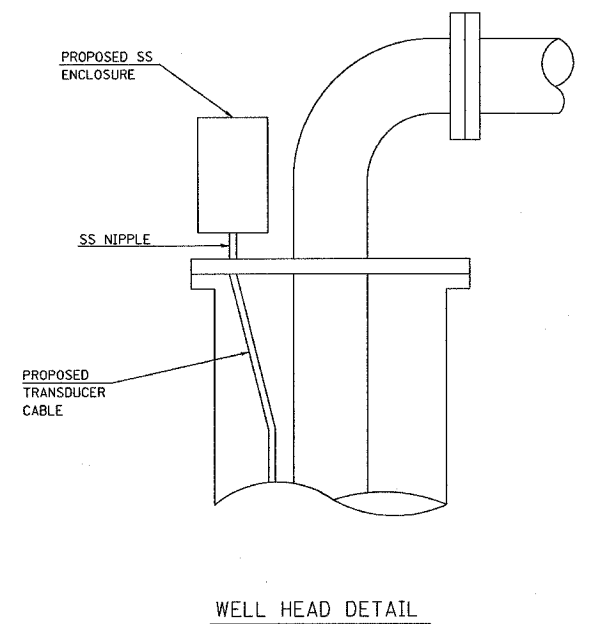


FAP ROUTE	SECTION	COUNTY	TOTAL SHEETS	SHEET NO
*	**	***	7	6

STA. TO STA.

- EXISTING CONDITIONS:
- \* VARIOUS ROUTES
  - \*\* DISTRICT 8 DEEP WELLS 2005-1
  - \*\*\* ST. CLAIR COUNTY

PLAN	REVISION	DATE
NO.	BY	
	DATE	
	BY	
	DATE	
	BY	
	DATE	



REVISIONS	
NAME	DATE

ILLINOIS DEPARTMENT OF TRANSPORTATION

**VARIOUS ROUTES  
TYPICAL WELL DETAILS**

VARIOUS ROUTES  
DISTRICT 8 DEEP WELLS 2005-1  
ST. CLAIR COUNTY

DRAWN BY: