

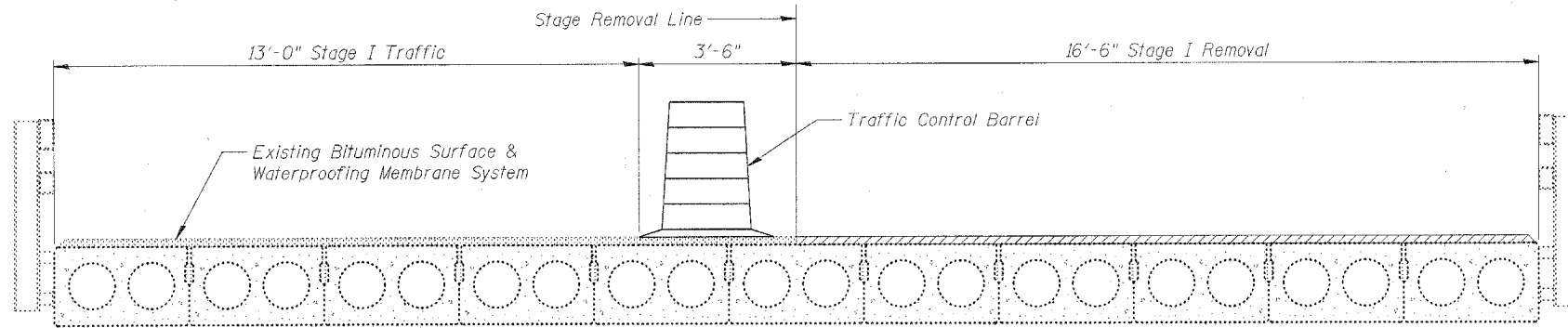
STATE OF ILLINOIS  
DEPARTMENT OF TRANSPORTATION

ROUTE NO.	SECTION	COUNTY	PROJECT SHEETS	SHEET NO.
F.A.P. Route 314	110 BR-1	MADISON	10	9
FED. ROAD DIST. NO. 7	ILLINOIS	FED. AID PROJECT		

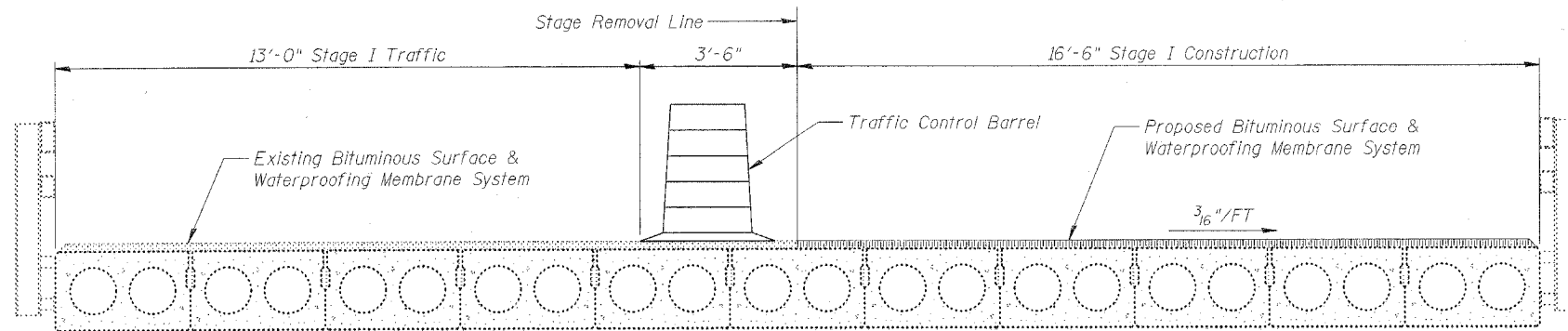
SHEET NO. 3

4 SHEETS

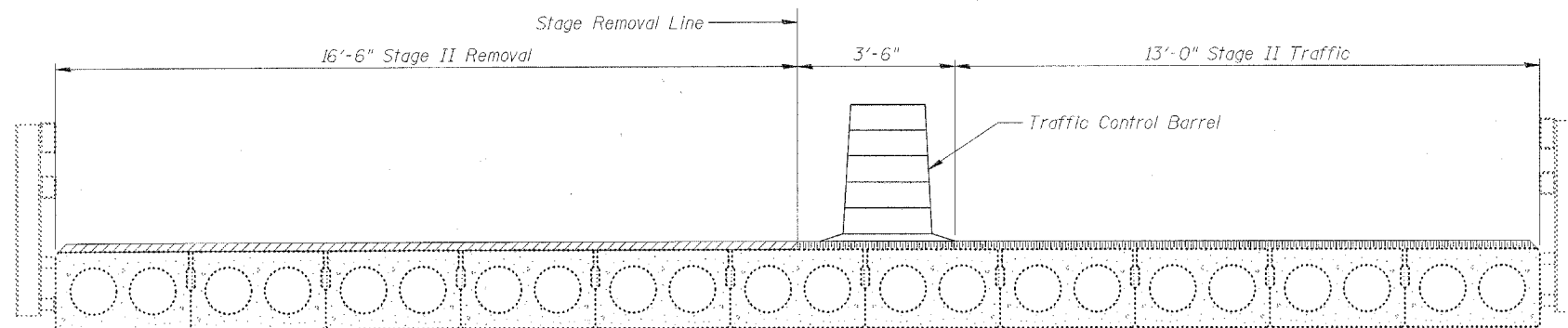
CONTRACT NO: 76865



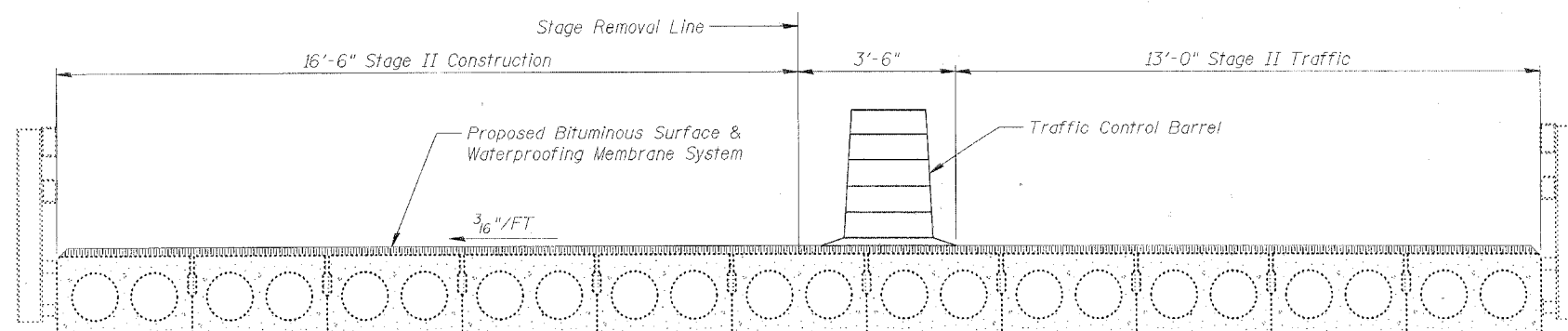
STAGE I REMOVAL



STAGE I CONSTRUCTION



STAGE II REMOVAL



STAGE II CONSTRUCTION

DESIGNED	KPH
CHECKED	DLS
DRAWN	KPH
CHECKED	DLS

**HORNER & SHIFRIN, INC.**

ENGINEERS ■ ARCHITECTS ■ PLANNERS  
5200 OAKLAND AVENUE • ST. LOUIS, MISSOURI  
141 MARKET PLACE, STE. 208 • FAIRVIEW HEIGHTS, ILLINOIS

STAGE CONSTRUCTION DETAILS  
ILLINOIS ROUTE 4  
FAP ROUTE 314  
SECTION 110 BR-I  
MADISON COUNTY  
SN 060-0109