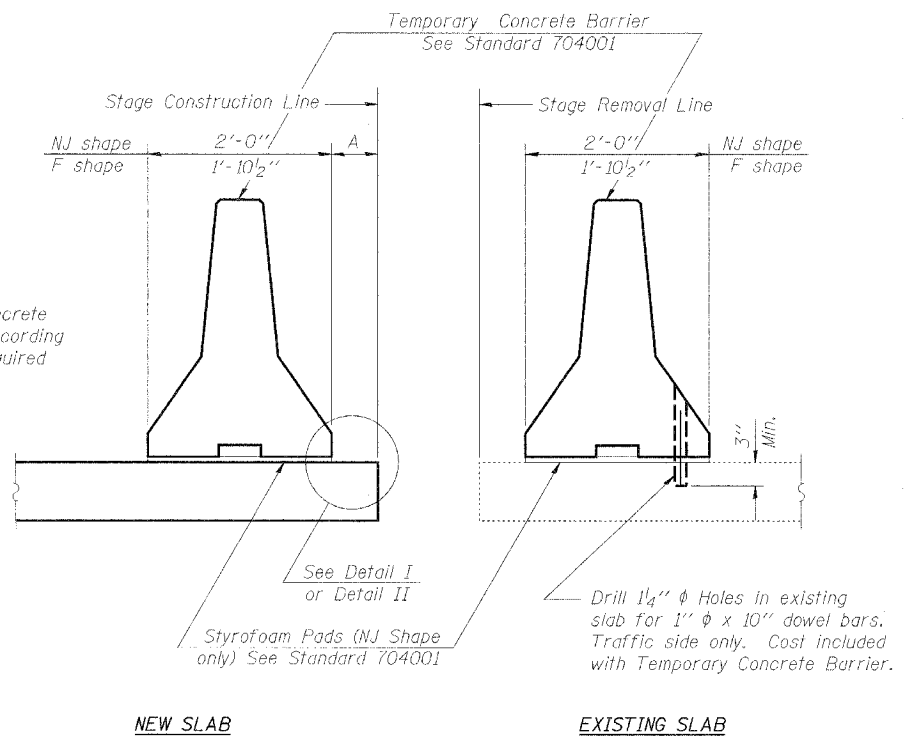


F.A.U. RTE.	SECTION	COUNTY	TOTAL SHEETS	SHEET NO.
3732	00-00125-00-BR	COOK	58	22
STA. 102+57.23		TO STA. 103+82.77		
FED. ROAD DIST. NO.	ILLINOIS	PROJECT BHM-7003(802)		
Sheet S-5 of S-28				CONTRACT 83564



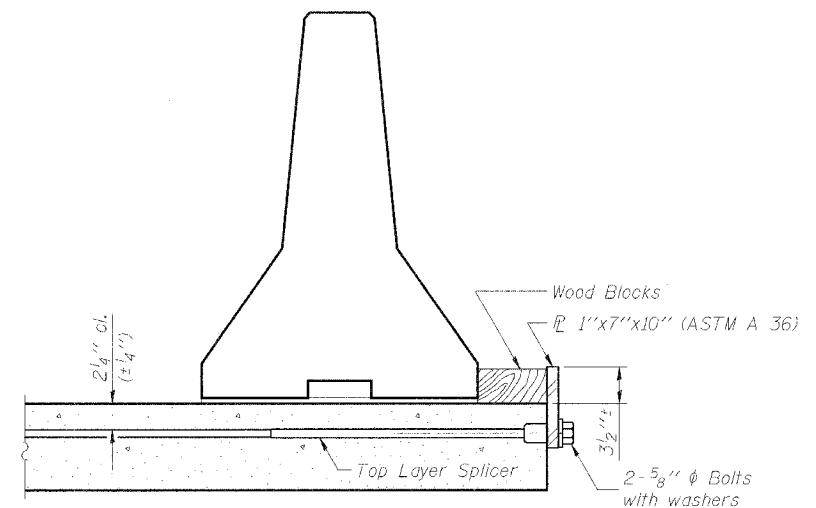
SECTIONS THRU SLAB

NOTES

Detail I - With Bar Splicer or Couplers:
Connect one (1) 1"x7"x10" steel PL to the top layer of couplers with 2-5/8" φ bolts screwed to coupler at approximate C of each barrier panel.

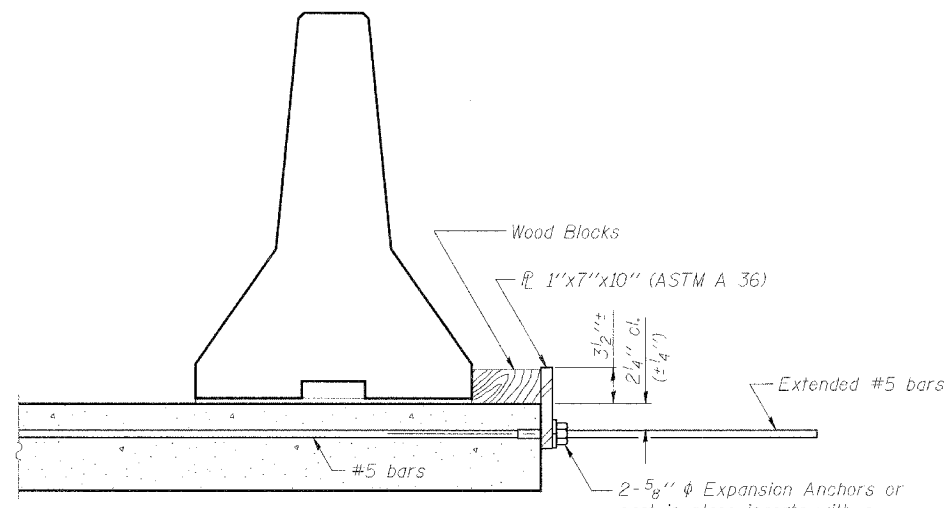
Detail II - With Extended Reinforcement Bars:
Connect one (1) 1"x7"x10" steel PL to the concrete slab with 2-5/8" φ Expansion Anchors or cast in place inserts spaced between the top layer of reinforcement at approximate C of each barrier panel.

Cost of anchorage is included with Temporary Concrete Barrier.



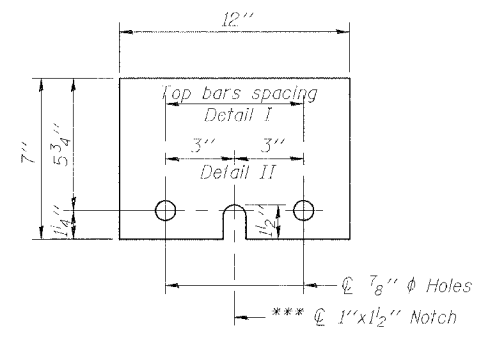
DETAIL I

The 1"x7"x10" Plate shall not be removed until Stage II Construction forms and reinforcement bars are in place.



DETAIL II

The 1"x7"x10" Plate shall not be removed until Stage II Construction forms and all reinforcement bars are in place and the concrete is ready to be placed.



1"x7"x12"

*** Required only with Detail II

TEMPORARY CONCRETE BARRIER FOR STAGE CONSTRUCTION

Clorba Group, Inc.
CONSULTING ENGINEERS
607 NORTH CUMBERLAND AVENUE - CHICAGO, ILLINOIS 60666 - (773) 775-4009

REVISIONS	
NAME	DATE

CITY OF EVANSTON, ILLINOIS
TEMPORARY CONCRETE BARRIER
ASBURY AVENUE OVER CTA YELLOW LINE
SECTION 00-00215-00-BR
COOK COUNTY
STA. 103+20.00
STRUCTURE NO. 016-6959

SCALE: NONE
DATE: OCTOBER 2004
FILE: 3212

DRAWN BY: IMG
CHECKED BY: SCD

DATE: 10/29/2004
FILENAME: N:\PROJ\3212\Design\Structural\3212-S-05-TempConcBarrier.dgn