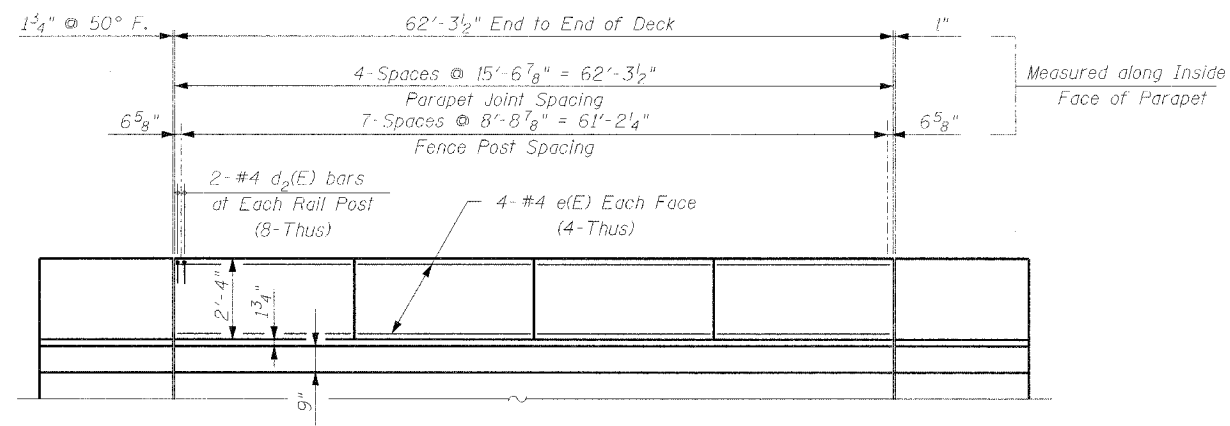
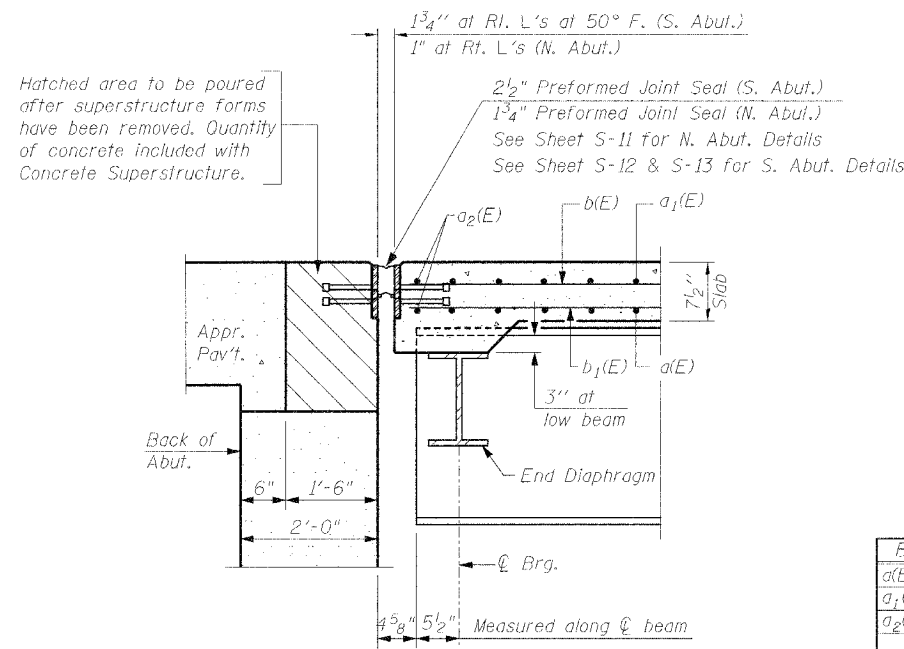


F.A.U. RTE.	SECTION	COUNTY	TOTAL SHEETS	SHEET NO.
3732	00-00125-00-BR	COOK	58	26
STA. 102+57.23		TO STA. 103+82.77		
FED. ROAD DIST. NO.	ILLINOIS PROJECT	BHM-70031802)		
Sheet S-9 of S-28		CONTRACT 83584		



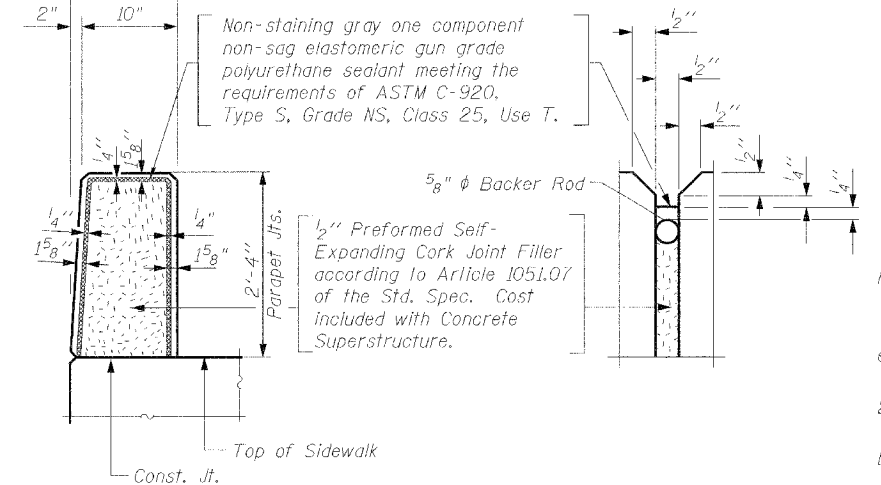
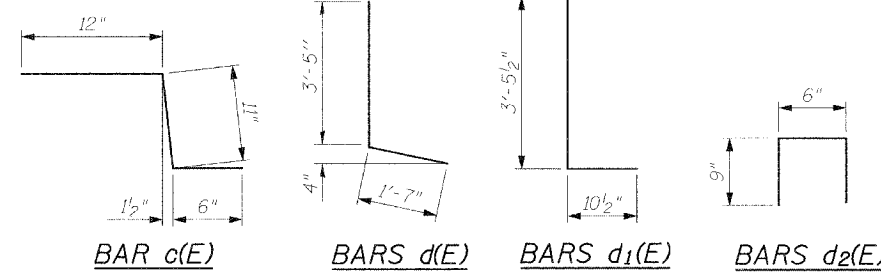
**INSIDE ELEVATION OF PARAPET**  
(Looking West)



**SECTION A-A**

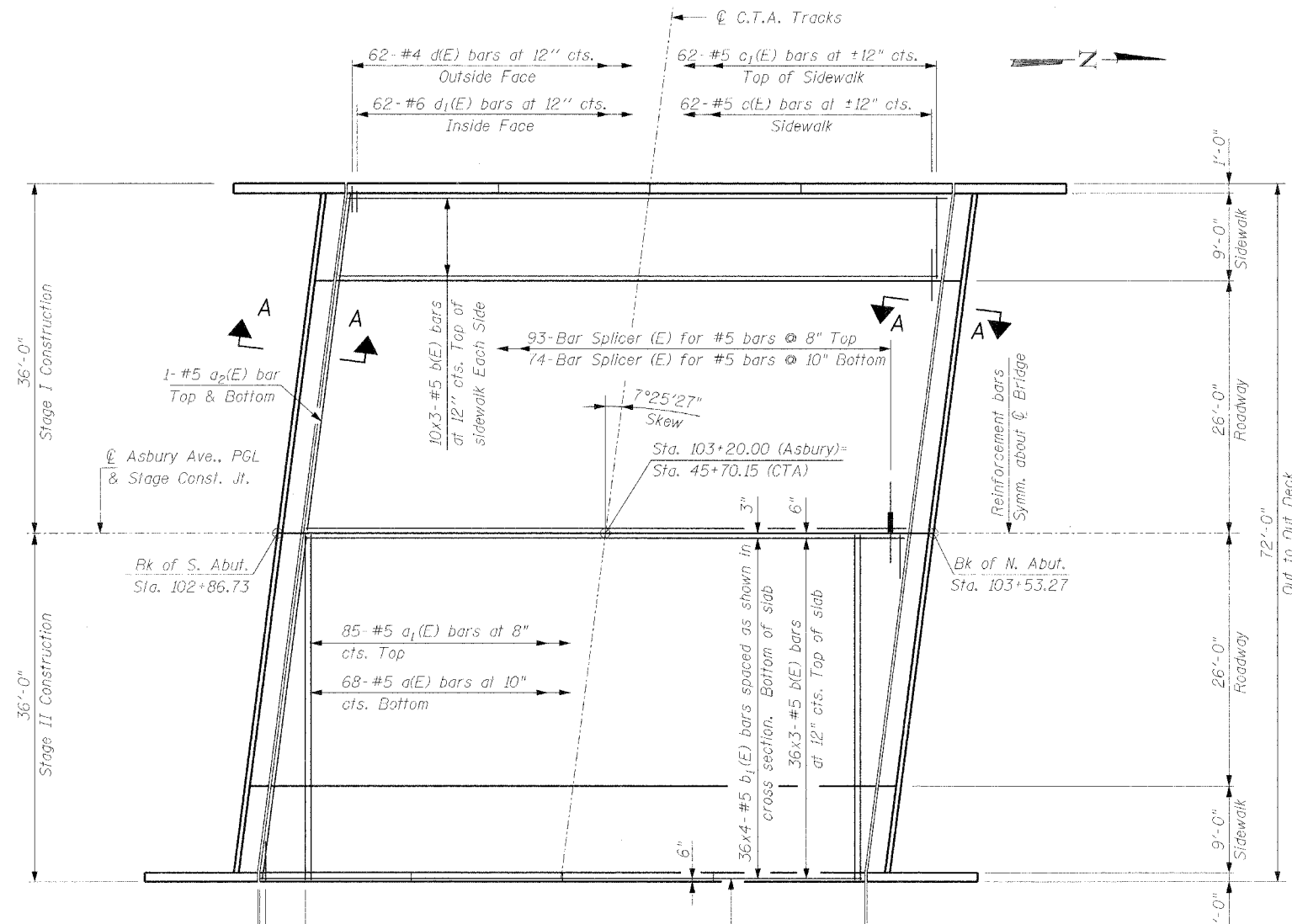
**SUPERSTRUCTURE BILL OF MATERIAL**

Bar	No.	Size	Length	Shape
a(E)	148	#5	33'-10"	—
a1(E)	186	#5	35'-4"	—
a2(E)	8	#5	34'-0"	—
b(E)	288	#5	21'-8"	—
b1(E)	288	#5	16'-6"	—
c(E)	124	#5	2'-5"	┌
c1(E)	124	#5	9'-7"	—
d(E)	124	#4	5'-0"	L
d1(E)	124	#6	4'-4"	L
d2(E)	32	#4	2'-0"	□
e(E)	64	#4	15'-3"	—
Reinforcement Bars, Epoxy Coated		Pound	27,290	
Concrete Superstructure		Cu.Yd.	169.5	
Bar Splicer		Each	167	



**PARAPET JOINT DETAILS**

Notes:  
See Sheet S-10 for superstructure details. Reinforcement bars designated (E) shall be epoxy coated.  
Bars indicated thus 20 x 3-#5 etc. indicates 20 lines of bars with 3 lengths per line.  
Min. lap 1'-1" for #4 bars and 1'-4" for #5 bars.



**PLAN**

\*\*\* Order a(E) and a1(E) bars full length. Cut to fit skew and use remainder of bars in opposite end.

\*\*\*8-#5 a1(E) bars at 8" cts. Top  
\*\*\*6-#5 a(E) bars at 10" cts. Bottom  
2x3-#5 b(E) bars Outside Face of Sidewalk

REVISIONS	
NAME	DATE

**Giorba Group, Inc.**  
CONSULTING ENGINEERS  
697 NORTH CUMBERLAND AVENUE • CHICAGO, ILLINOIS 60656 • (773) 778-1000

CITY OF EVANSTON, ILLINOIS  
BRIDGE SUPERSTRUCTURE DETAILS  
ASBURY AVENUE OVER CTA YELLOW LINE  
SECTION 00-00215-00-BR  
COOK COUNTY  
STA. 103+20.00  
STRUCTURE NO. 016-6959

SCALE: NONE  
DATE: OCTOBER 2004  
FILE: 3212

DRAWN BY: IMG  
CHECKED BY: SCD

DATE: 10/29/2004  
FILENAME: N:\PROJ\3212\Design\Structural\3212-S-09-DeckPlan.dgn