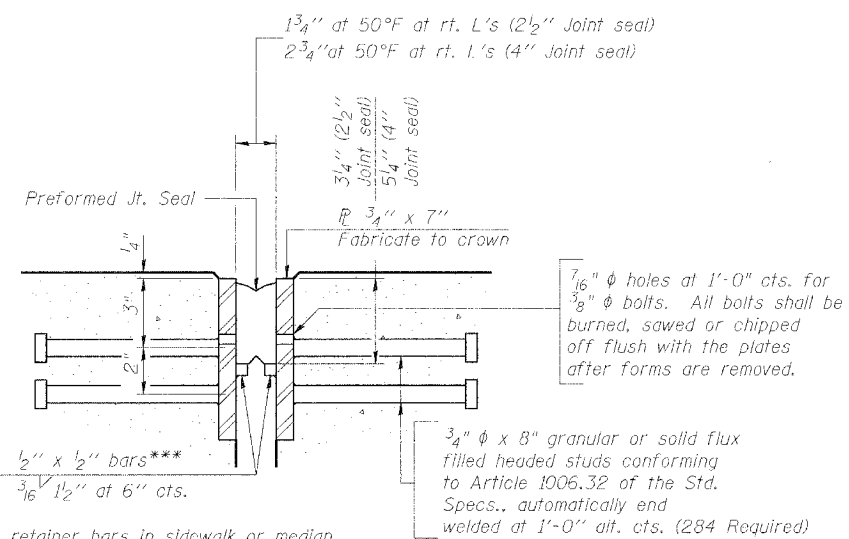


**GENERAL NOTES**

Furnish steel plates in segments of 20 feet maximum length. Maximum space between installed segments shall be 3/16". Seal space with silicone sealant suitable for structural steel.

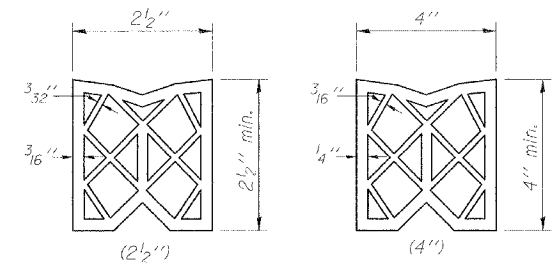
| Design Movement | Required Prefomed Joint Seal Size | Required Strip Seal Rated movement |
|-----------------|-----------------------------------|------------------------------------|
| 1"              | 2 1/2"                            | 1"                                 |
| 1 5/8"          | 4"                                | 2"                                 |



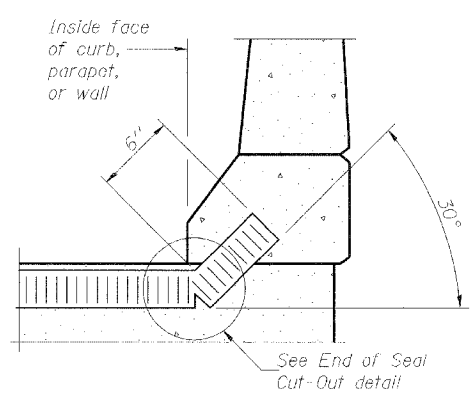
\*\*\*Cut retainer bars in sidewalk or median 6" short of the sidewalk or median face.

**SECTION THRU EXPANSION JOINT (SOUTH ABUTMENT)**

(2 1/2" and 4" joint seals)

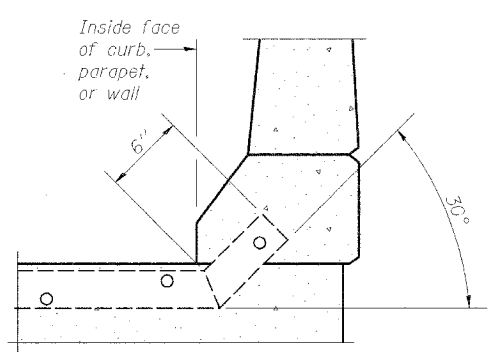


**PREFORMED JOINT SEAL**



**AT CURB, PARAPET, OR WALL**

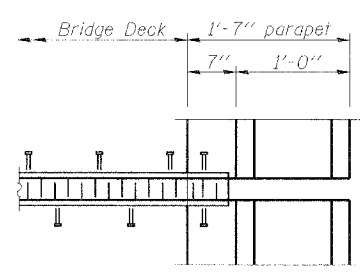
(Showing seal)



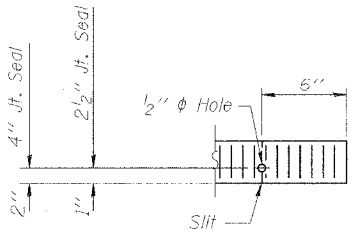
**AT CURB, PARAPET, OR WALL**

(Showing plate)

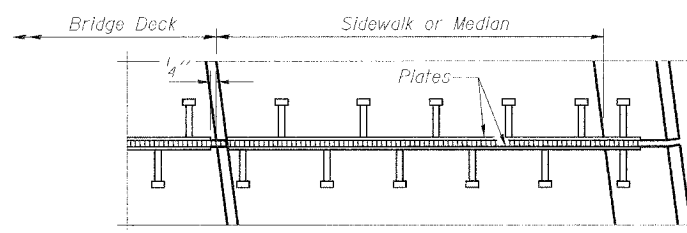
**TYPICAL END TREATMENTS**



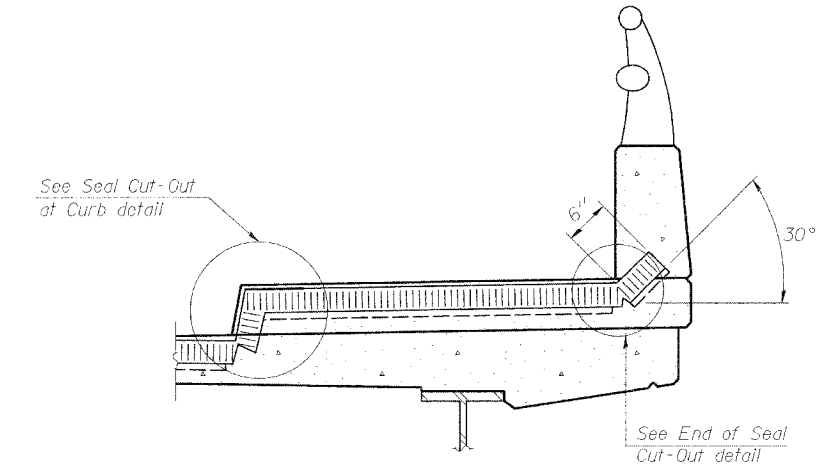
**PLAN AT PARAPET**



**END OF SEAL CUT-OUT**



**PLAN AT SIDEWALK OR MEDIAN**



**AT SIDEWALK OR MEDIAN\*\*\***

(Showing plate and seal)

\*\*\* Shorter plates with a single row of studs at 12" centers may be necessary on medians which are shallower than 9". See manufacturer's recommendation.

**BILL OF MATERIAL**

| Item                            | Unit | Total |
|---------------------------------|------|-------|
| Bridge Joint System (Expansion) | Foot | 73    |

(Sheet 1 of 2)

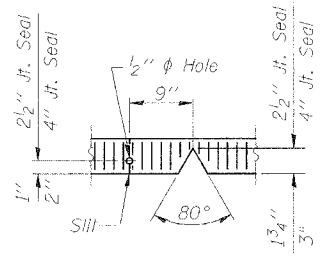
**BRIDGE JOINT SYSTEM - EXPANSION (PREFORMED JOINT SEAL)**



CITY OF EVANSTON, ILLINOIS  
BRIDGE JOINT SYSTEM-EXPANSION  
ASBURY AVENUE OVER CTA YELLOW LINE  
SECTION 00-00215-00-BR  
COOK COUNTY  
STA. 103+20.00  
STRUCTURE NO. 016-6959

| REVISIONS |      |
|-----------|------|
| NAME      | DATE |
|           |      |
|           |      |
|           |      |
|           |      |
|           |      |
|           |      |
|           |      |
|           |      |
|           |      |

SCALE: NONE  
DATE: OCTOBER 2004  
FILE: 3212  
DRAWN BY: IMG  
CHECKED BY: SCD



**SEAL CUT-OUT AT CURB**

DATE: 10/29/2004  
FILENAME: N:\PROJ\3212\Design\Structural\3212-S-11-S-12-S-13-BridgeJoint.dgn

EJ-BJS 10-31-02