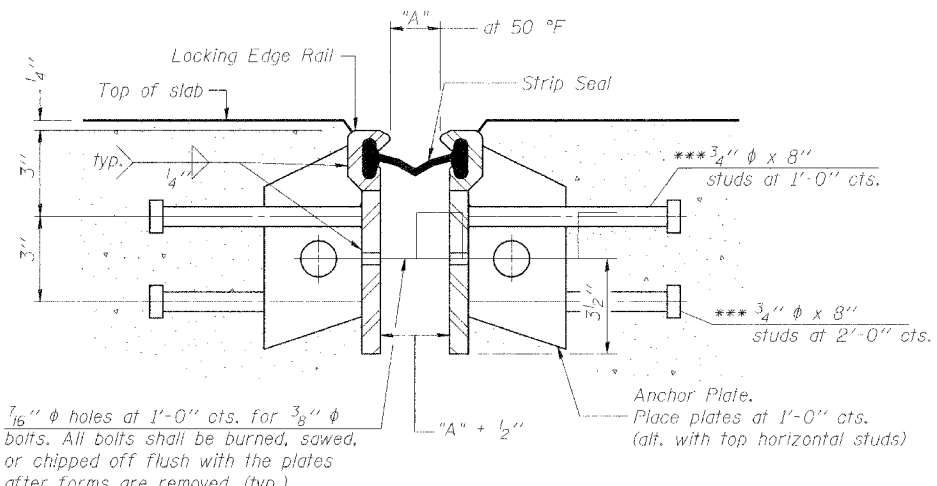


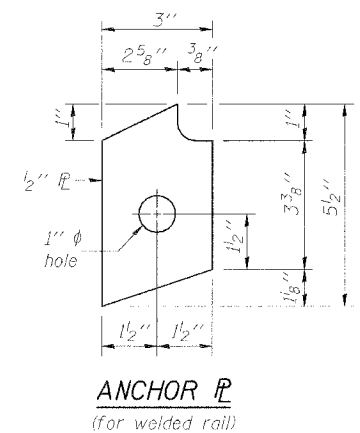
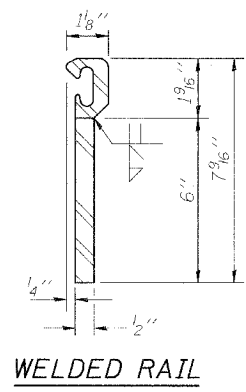
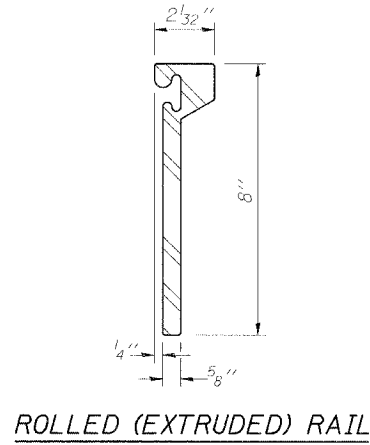
**SECTION THRU ROLLED RAIL EXP. JOINT
(SOUTH ABUTMENT)**
(354 Studs Required)



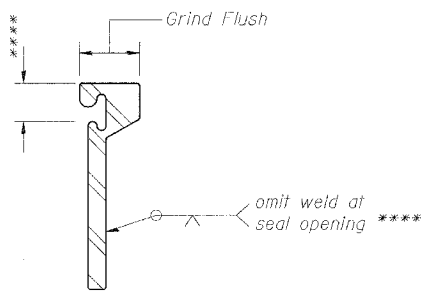
**SECTION THRU WELDED RAIL EXP. JOINT
(SOUTH ABUTMENT)**
(212 Studs Required)
(140 Anchor Plates Required)

*** Granular or solid flux filled headed studs conforming to Article 1006.32 of the Std. Specs., automatically end welded.

GENERAL NOTES
The strip seal shall be made continuous and shall have a minimum thickness of 1/4". The configuration of the strip seal shall match the configuration of the Locking Edge Rails.
The height and thickness of the Locking Edge Rails shown are minimum dimensions. The actual configuration of the Locking Edge Rails and matching strip seal may vary from manufacturer to manufacturer. Flanged edge rails will not be allowed.
Locking Edge Rails may be spliced at slope discontinuities and stage construction joints.
The manufacturer's recommended installation methods shall be followed.
The joint opening and deck dimensions detailed on the superstructure are based on a preformed joint seal. If the contractor elects to use the alternate strip seal joint, the opening and deck dimensions shall be modified according to the dimensions detailed on this sheet. Required modifications shall be made at no additional cost to the State.

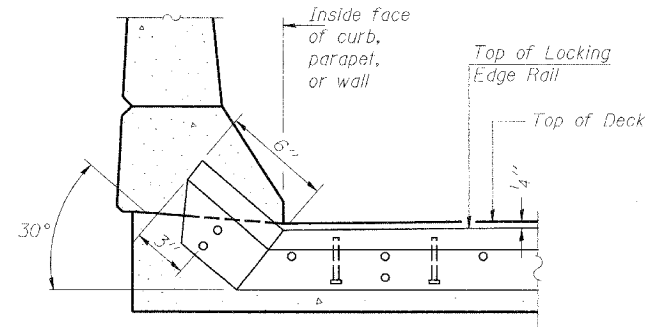


LOCKING EDGE RAILS

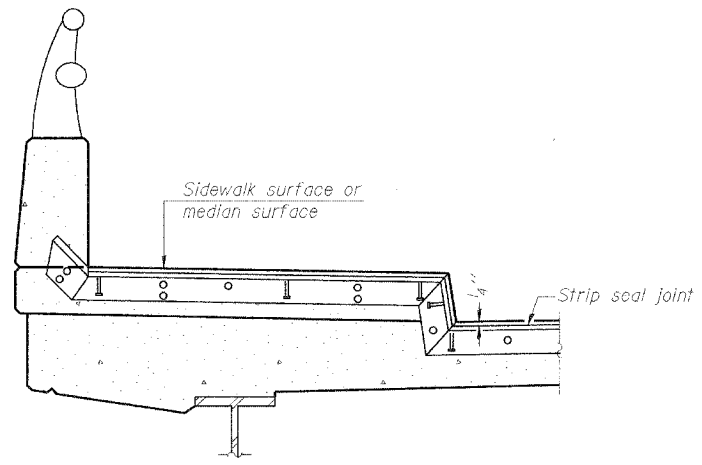


LOCKING EDGE RAIL SPLICE

The inside of the locking edge rail groove shall be free of weld residus.



AT CURB, PARAPET, OR WALL



AT SIDEWALK OR MEDIAN***

*** Shorter plates with a single row of studs at 12" centers may be necessary on medians which are shallower than 9". See manufacturer's recommendation.

TYPICAL END TREATMENTS

(Sheet 2 of 2)
**BRIDGE JOINT SYSTEM - EXPANSION
(ALTERNATE-STRIP SEAL)**

REVISIONS	
NAME	DATE

Clorba Group, Inc.
CONSULTING ENGINEERS
507 NORTH CUMBERLAND AVENUE - CHICAGO, ILLINOIS 60661 - (773) 775-4000

CITY OF EVANSTON, ILLINOIS
BRIDGE JOINT SYSTEM-EXPANSION (ALTERNATE)
ASBURY AVENUE OVER CTA YELLOW LINE
SECTION 00-00215-00-BR
COOK COUNTY
STA. 103+20.00
STRUCTURE NO. 016-6959

SCALE: NONE
DATE: OCTOBER 2004
FILE: 3212

DRAWN BY: IMG
CHECKED BY: SCD