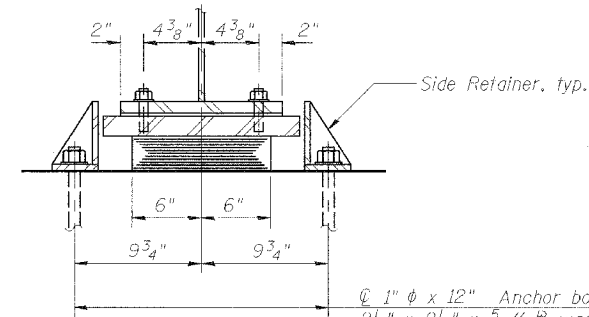


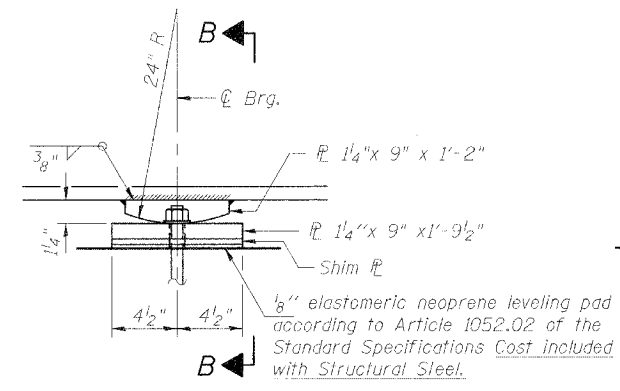
ELEVATION AT SOUTH ABUTMENT



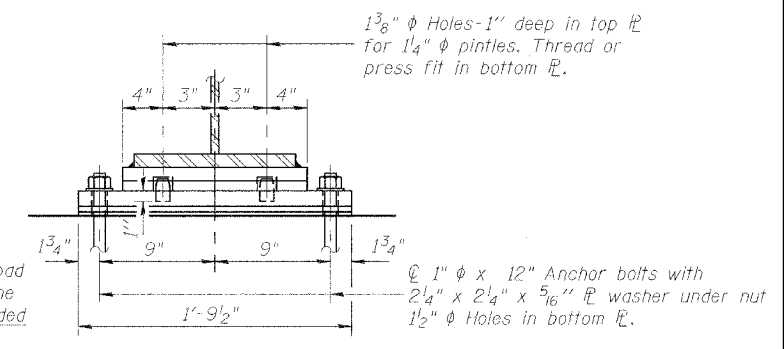
SECTION A-A

TYPE I ELASTOMERIC EXP. BRG.

Notes: Anchor bolts at fixed bearings may be built into the masonry. See sheet S-26 for Anchor Bolt Installation.

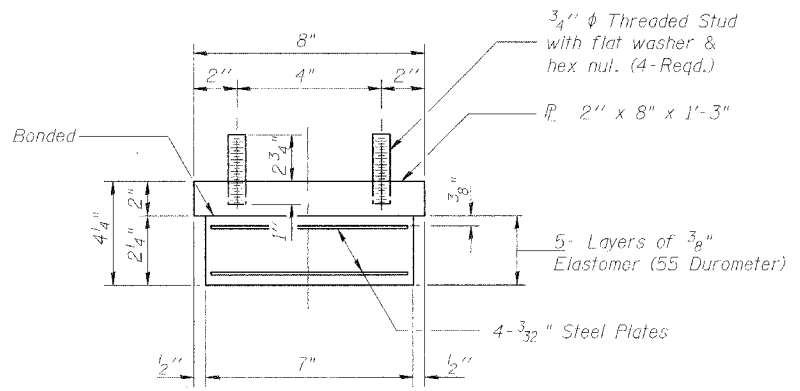


ELEVATION AT NORTH ABUTMENT



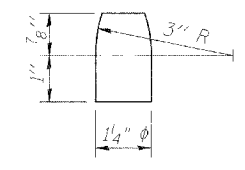
SECTION B-B

FIXED BEARING

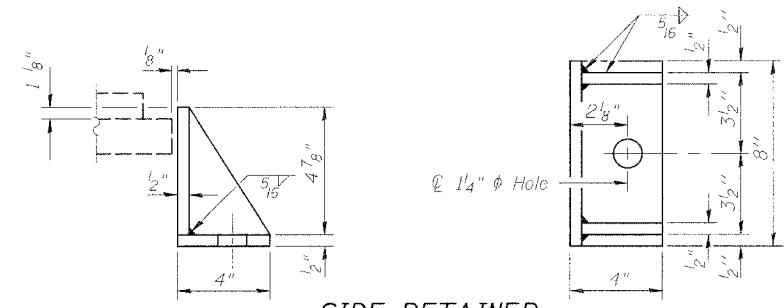


BEARING ASSEMBLY

Note: Shim plates shall not be placed under Bearing Assembly.



PINTLE



SIDE RETAINER

Equivalent rolled angle with stiffeners will be allowed in lieu of welded plates. Weight included with Structural Steel.

BILL OF MATERIAL

Item	Unit	Total
Elastomeric Bearing Assembly Type I	Each	14

REVISIONS	
NAME	DATE

CG Ciorba Group, Inc.
CONSULTING ENGINEERS
6607 NORTH CUMBERLAND AVENUE - CHICAGO, ILLINOIS 60656 - (773) 776-4000

CITY OF EVANSTON, ILLINOIS
BEARING DETAILS
ASBURY AVENUE OVER CTA YELLOW LINE
SECTION 00-00215-00-BR
COOK COUNTY
STA. 103+20.00
STRUCTURE NO. 016-6959

SCALE: NONE
DATE: OCTOBER 2004
FILE: 3212

DRAWN BY: IMG
CHECKED BY: SCD