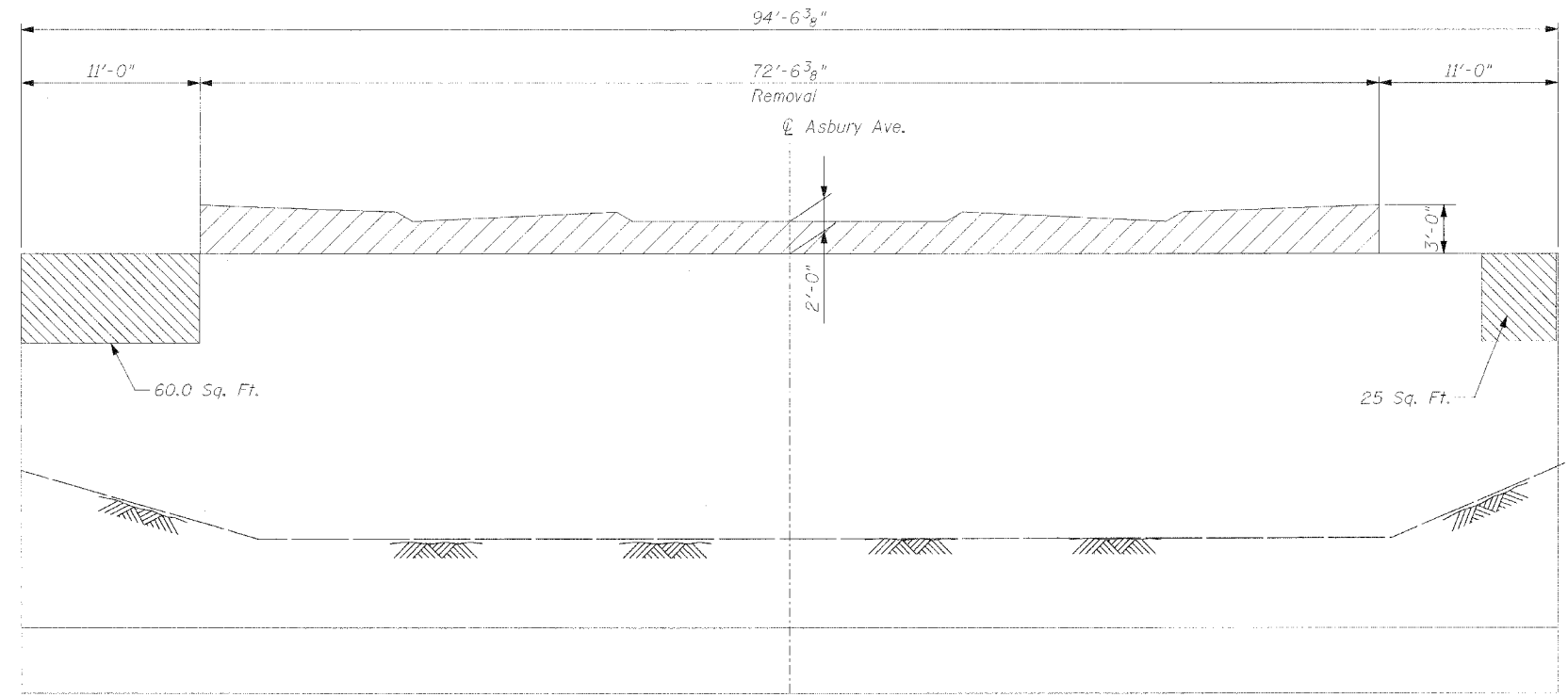
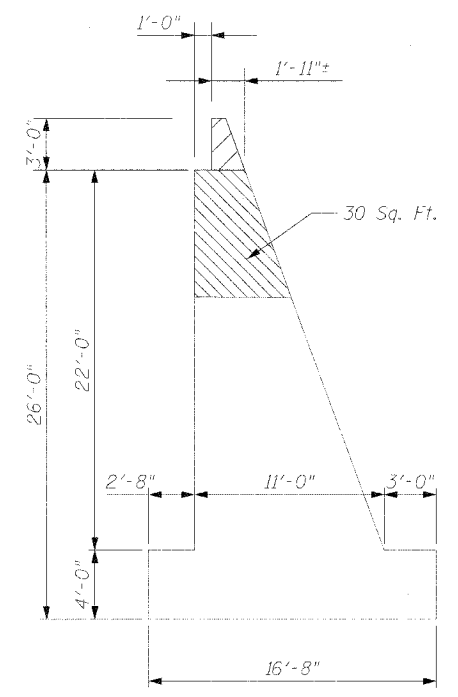


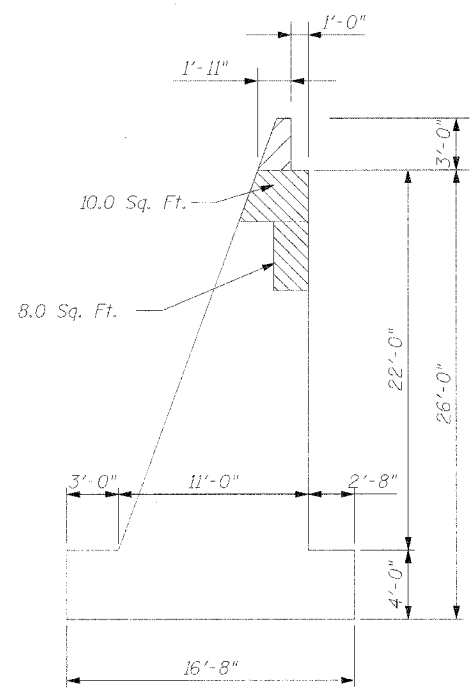
WEST ELEVATION



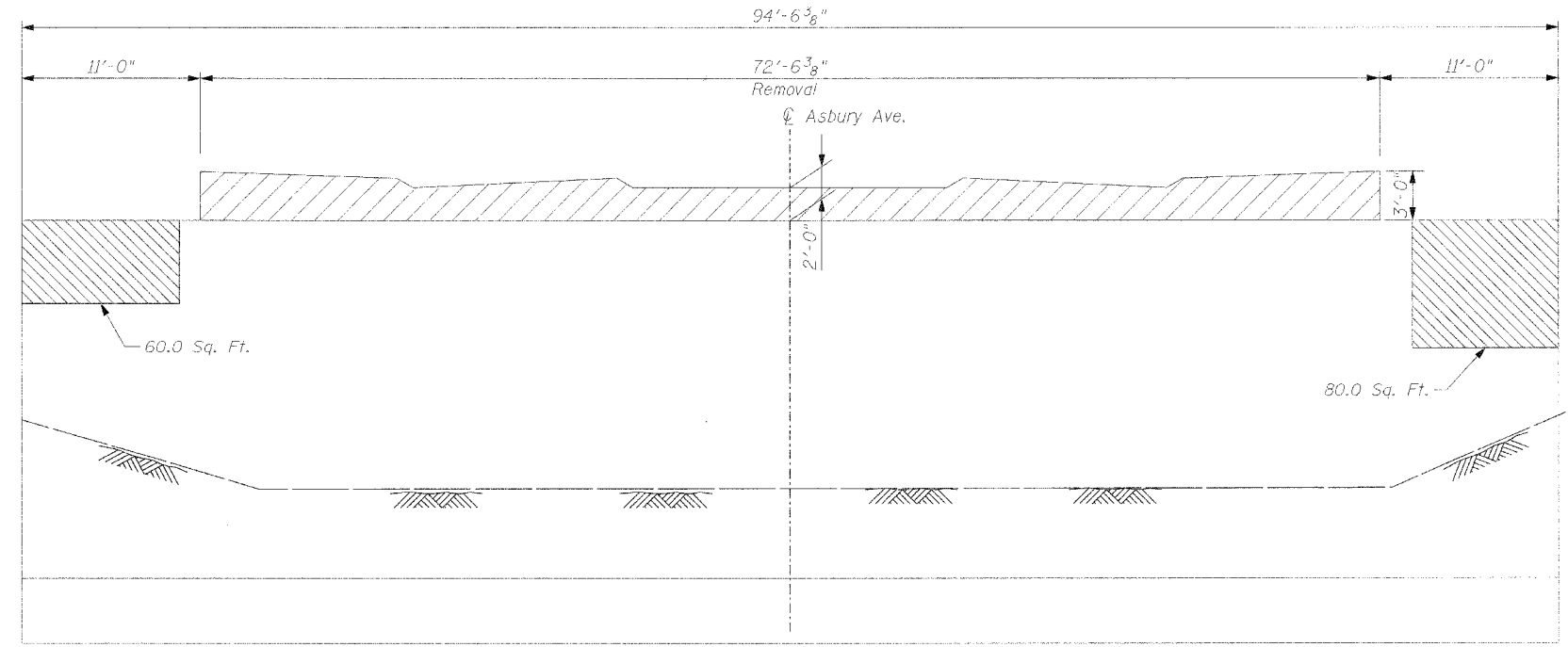
NORTH ABUTMENT ELEVATION
LOOKING NORTH



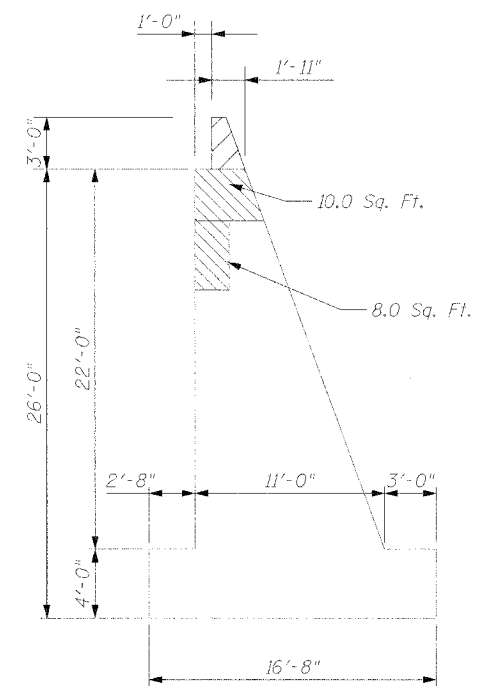
EAST ELEVATION



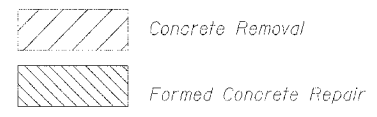
EAST ELEVATION



SOUTH ABUTMENT ELEVATION
LOOKING SOUTH



WEST ELEVATION




BILL OF MATERIAL

Item	Unit	Total
Formed Concrete Repair (Depth Equal to or Less Than 5")	Sq. Ft.	331.0
Concrete Removal	Cu. Yd.	17.0

REVISIONS

NAME	DATE


Ciorba Group, Inc.
 CONSULTING ENGINEERS
 5507 NORTH CUMBERLAND AVENUE - CHICAGO, ILLINOIS 60666 - (773) 775-8000

CITY OF EVANSTON, ILLINOIS
 EXISTING ABUTMENTS REMOVAL & REPAIR
 ASBURY AVENUE OVER CTA YELLOW LINE
 SECTION 00-00215-00-BR
 COOK COUNTY
 STA. 103+20.00
 STRUCTURE NO. 016-6959

SCALE: NONE
 DATE: OCTOBER 2004
 FILE: 3212

DRAWN BY: IMG
 CHECKED BY: SCJ