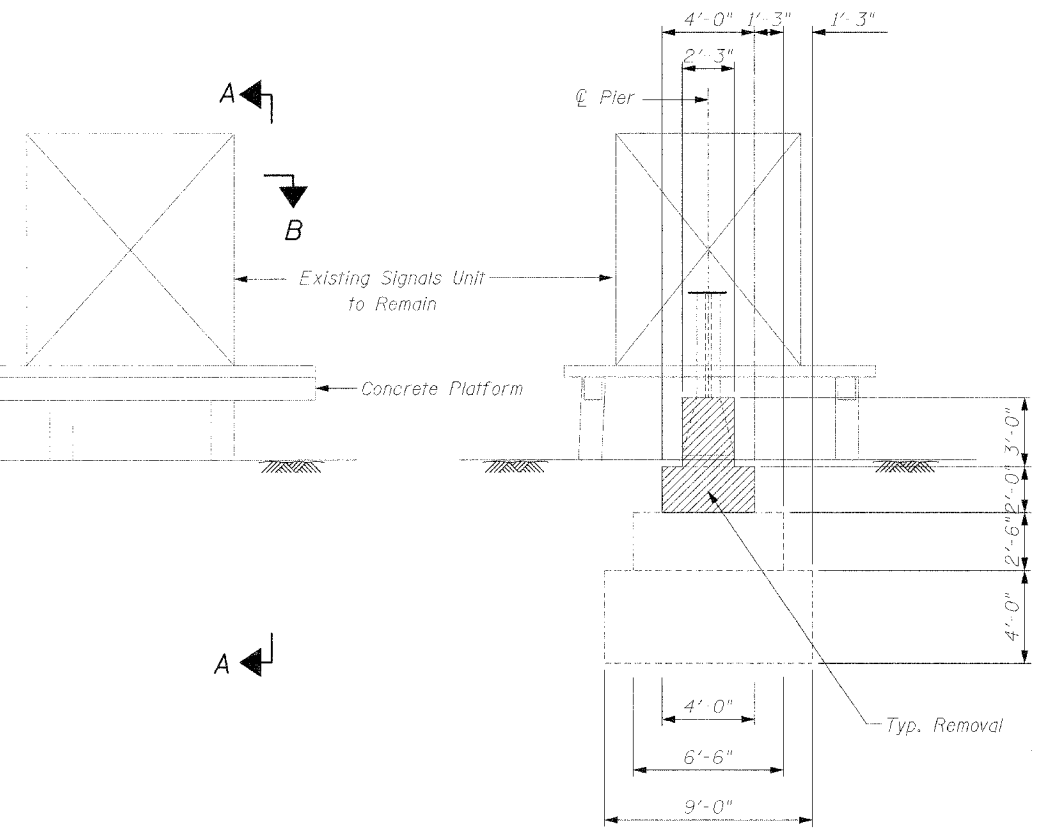
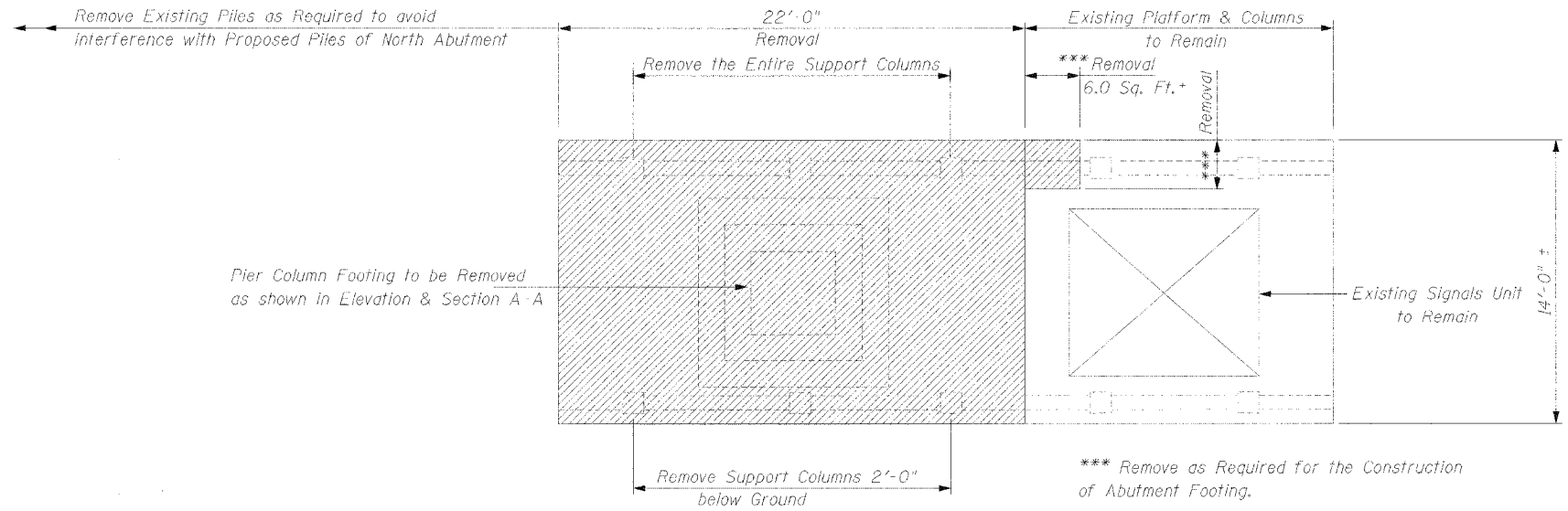


NORTH PIER NORTH ELEVATION
SOUTH PIER SIMILAR



SECTION A-A



SECTION B-B

Notes:
For details of Construction Stages See Sheet S-3

BILL OF MATERIAL-TWO PIERS

Item	Unit	Total
Concrete Removal	Cu. Yd.	14.6

REVISIONS	
NAME	DATE

Clorba Group, Inc.
CONSULTING ENGINEERS
6907 NORTH CUMBERLAND AVENUE - CHICAGO, ILLINOIS 60656 - (773) 775-4099

CITY OF EVANSTON, ILLINOIS
EXISTING PIER REMOVAL
ASBURY AVENUE OVER CTA YELLOW LINE
SECTION 00-00215-00-BR
COOK COUNTY
STA. 103+20.00
STRUCTURE NO. 016-6959

SCALE: NONE
DATE: OCTOBER 2004
FILE: 3212

DRAWN BY: IMG
CHECKED BY: SCD