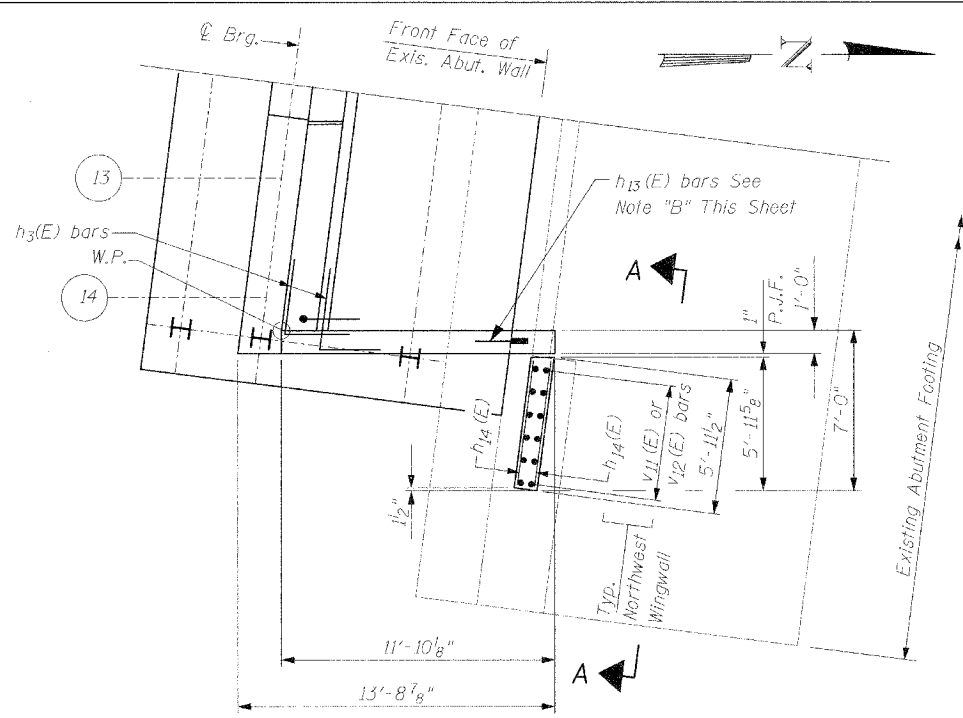
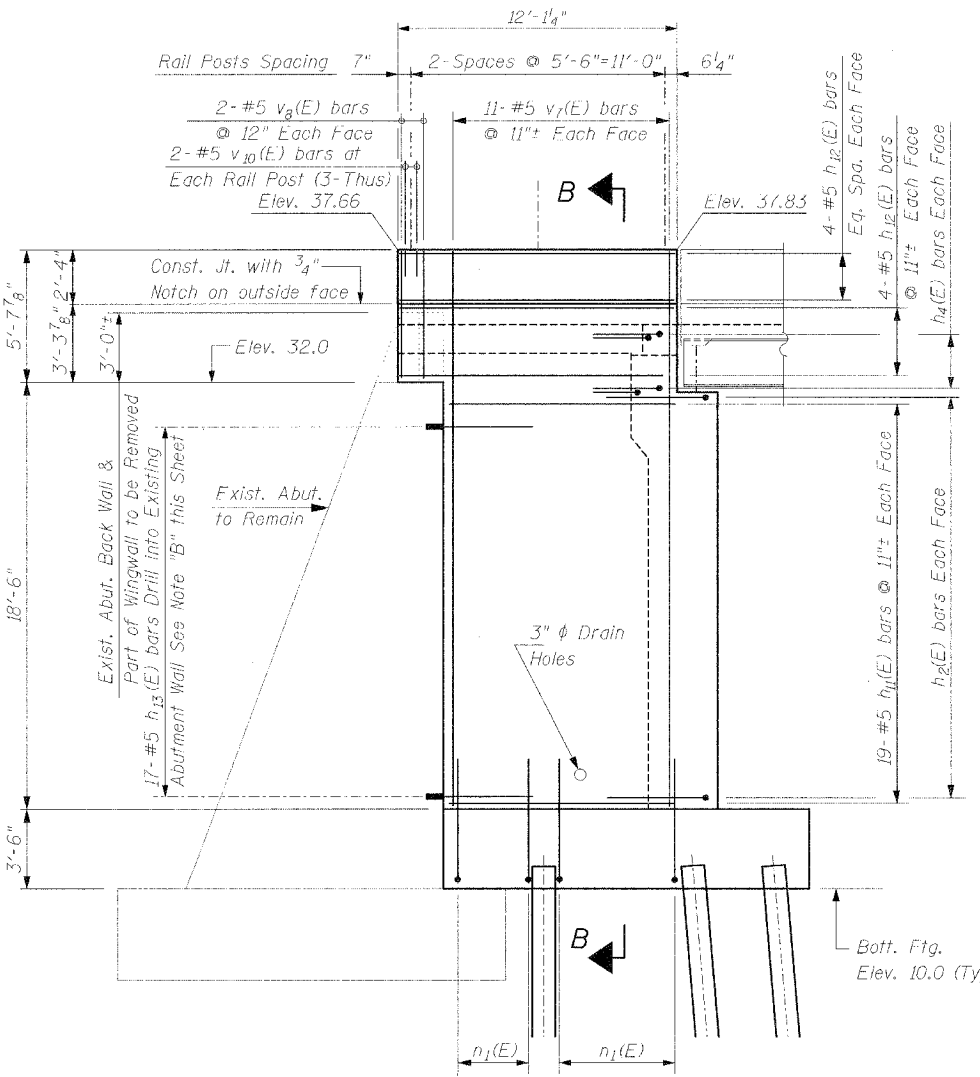


NORTHWEST WINGWALL PLAN

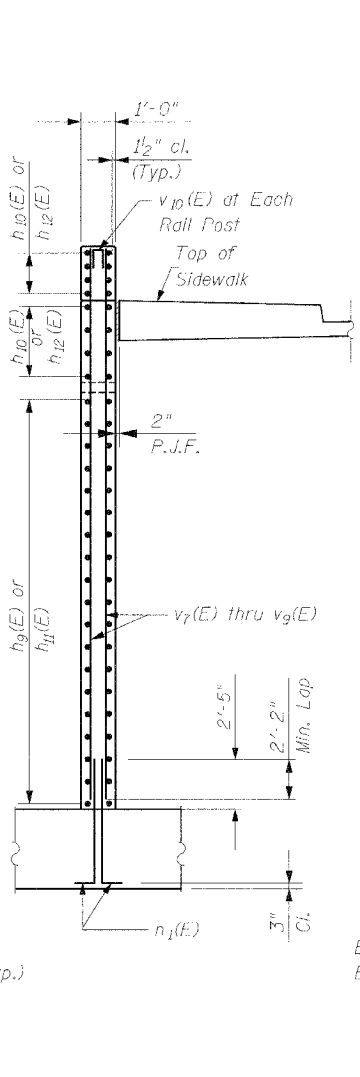


NORTHEAST WINGWALL PLAN

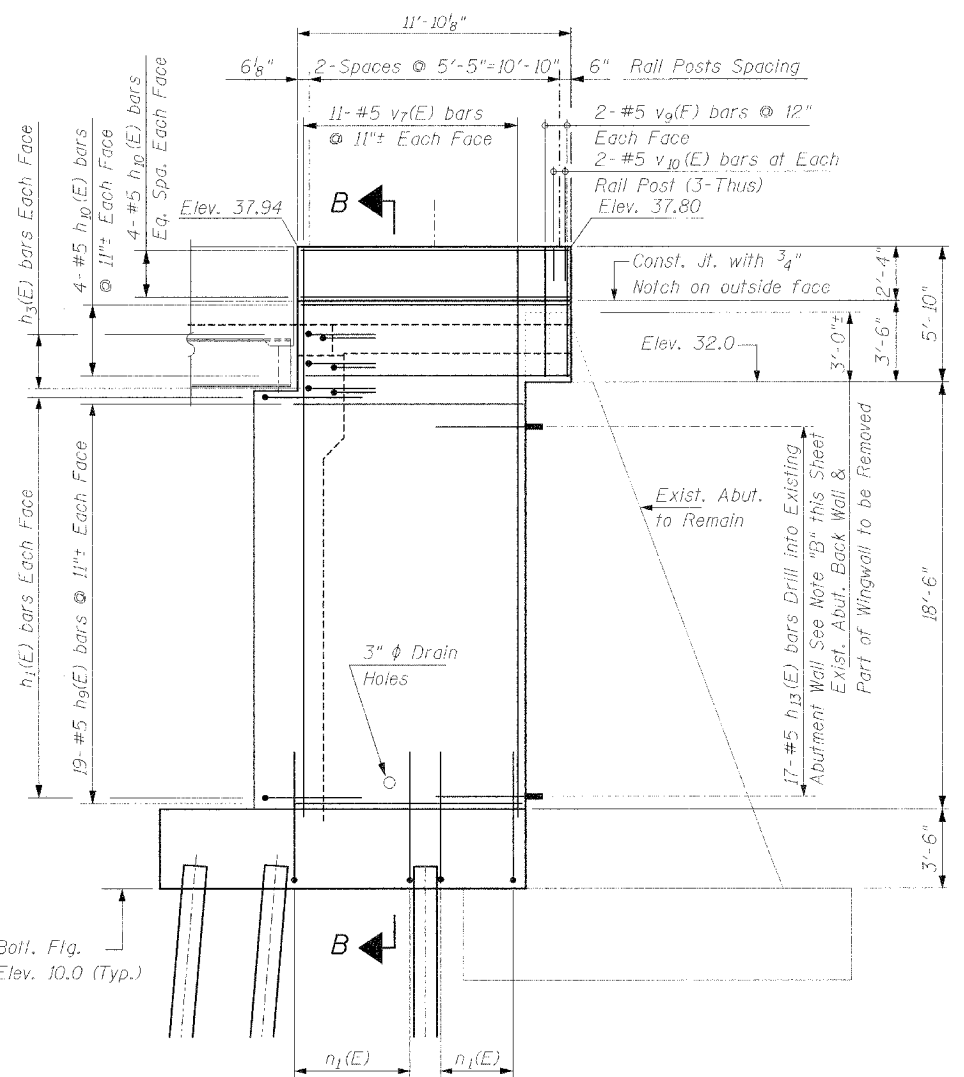
Note "A": Existing vertical bars to remain in place, blast clean and lap with new vertical bars. Horizontal bars shall be removed.
 Note "B": Epoxy grout h₁₃(E) & v₁₂(E) bars in 9" minimum drilled holes according to Section 584 of the Standard Specifications.



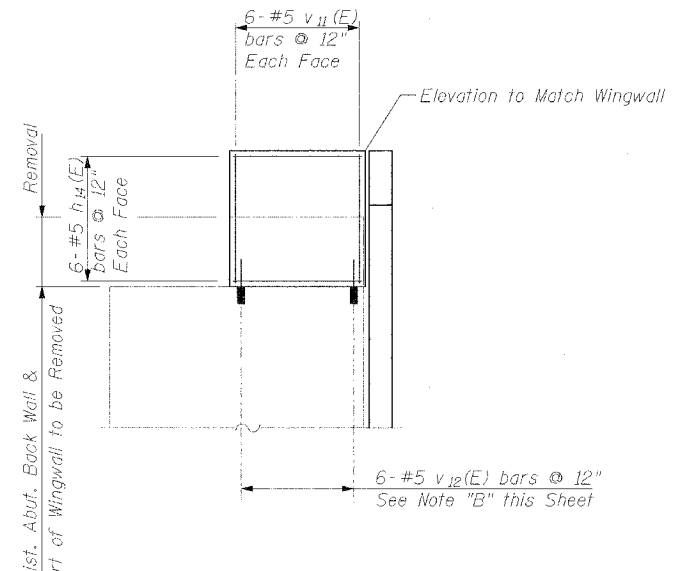
SOUTHEAST WINGWALL ELEVATION
(Looking East)



SECTION B-B



NORTHEAST WINGWALL ELEVATION
(Looking West)



SECTION A-A

Reinforcement bars designated (E) shall be epoxy coated.
 For details of Bar Splicers, see Sheet S-27.

REVISIONS	
NAME	DATE

Clorba Group, Inc.
 CONSULTING ENGINEERS
 5907 NORTH CUMBERLAND AVENUE - CHICAGO, ILLINOIS 60656 - (773) 775-4999

CITY OF EVANSTON, ILLINOIS
 NORTH ABUTMENT WINGWALLS DETAIL
 ASBURY AVENUE OVER CTA YELLOW LINE
 SECTION 00-00215-00-BR
 COOK COUNTY
 STA. 103+20.00
 STRUCTURE NO. 016-6959

SCALE: NONE
 DATE: OCTOBER 2004
 FILE: 3212

DRAWN BY: IMG
 CHECKED BY: SCD