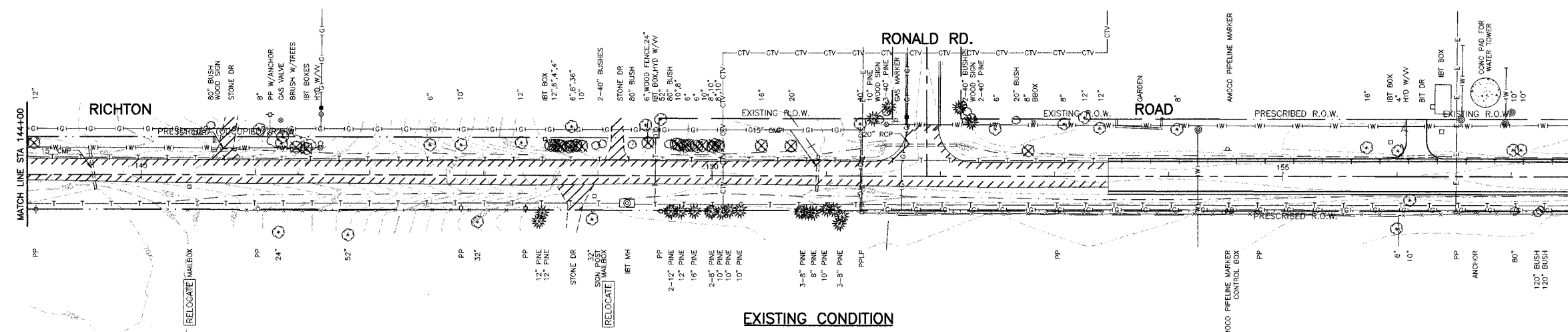
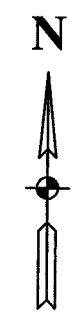


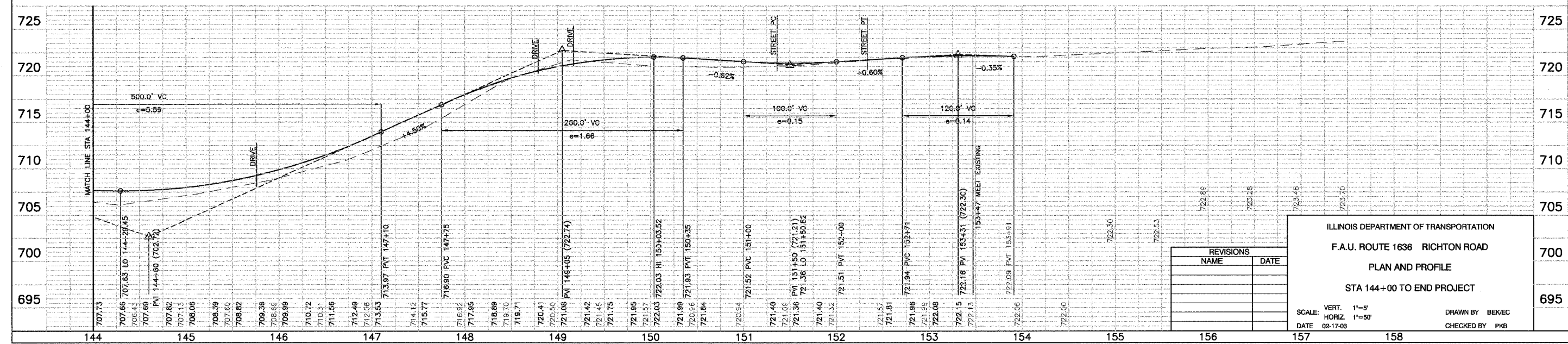
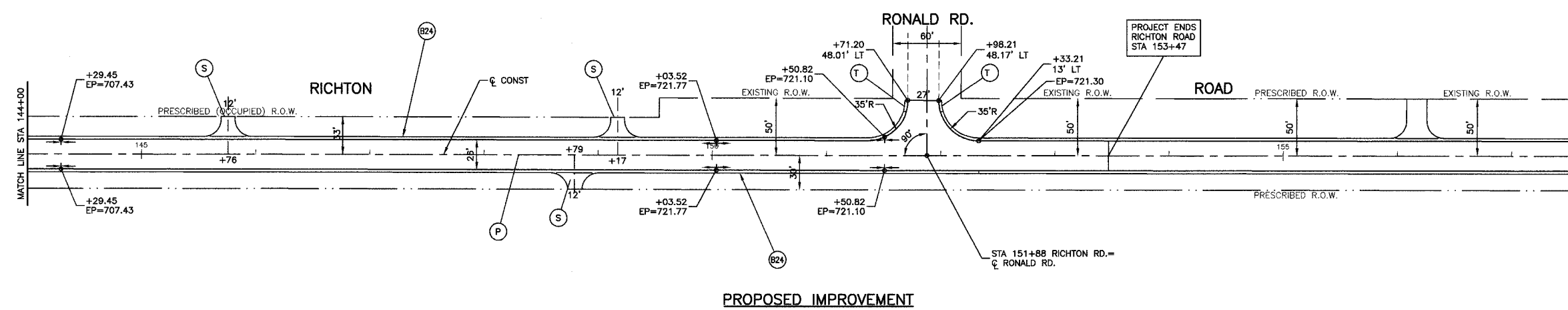
F.A.U. RTE	SECTION	COUNTY	TOTAL SHEETS	SHEET NO
1636	92-00037-03-PV	WILL	39	19
STA.	TO STA.			
FED. ROAD DIST. NO.	ALTERN.	FED. AID PROJECT		

83680



PROPOSED LEGEND

- (P) FULL DEPTH PAVEMENT
- (C) CONCRETE DRIVEWAY
- (S) STABILIZED DRIVEWAY
- (B24) COMBINATION CONCRETE CURB AND GUTTER, TYPE B-6.24
- (T) TRANSITION FROM TYPE B-6.24 CURB AND GUTTER TO 0" CURB HEIGHT
- /// PAVEMENT/DRIVEWAY REMOVAL
- (X) TREE TO BE REMOVED



REVISIONS	
NAME	DATE

ILLINOIS DEPARTMENT OF TRANSPORTATION
 F.A.U. ROUTE 1636 RICHTON ROAD
 PLAN AND PROFILE
 STA 144+00 TO END PROJECT

SCALE: VERT. 1"=5'
 HORIZ. 1"=50'
 DATE 02-17-03

DRAWN BY BEKEC
 CHECKED BY PKB