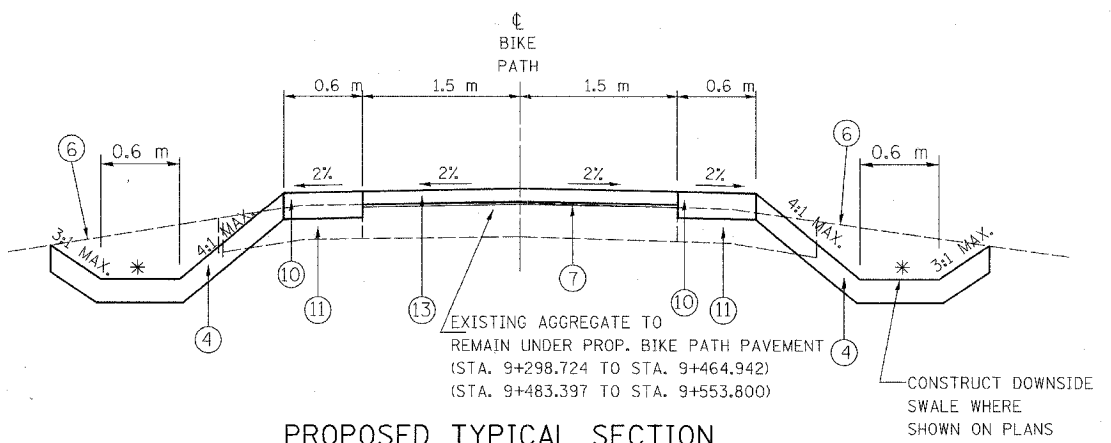


SECTION	COUNTY	TOTAL SHEETS	SHEET NO.
02-00090-00-BT	DUPAGE	117	6
STA.	TO STA.		
IDOT PROJECT NO. M-8003(222)			
SALT CREEK GREENWAY TRAIL			

CONTRACT NO. 83713

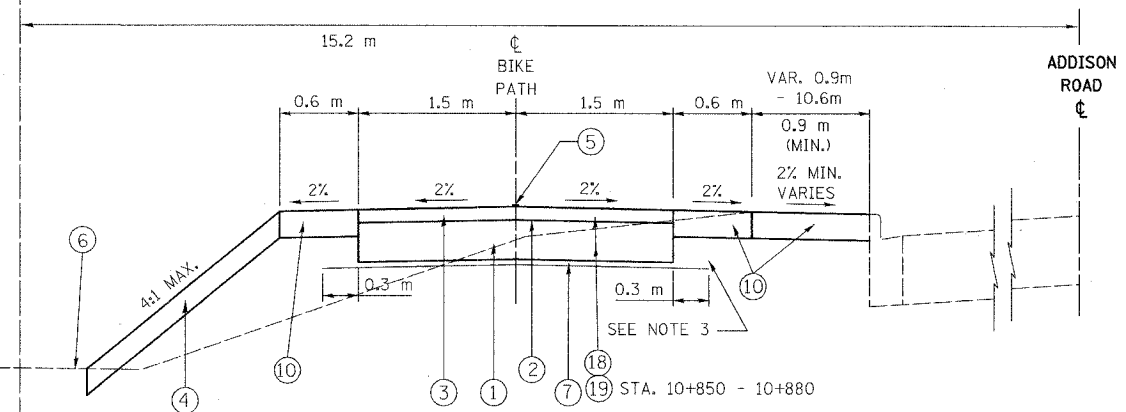


PROPOSED TYPICAL SECTION

STA. 9+298.724 TO STA. 9+464.942
 STA. 9+483.397 TO STA. 9+553.800
 STA. 9+464.942 TO STA. 9+483.397 - EXISTING BRIDGE

* FOR SPECIAL DITCH DETAILS SEE CROSS SECTIONS

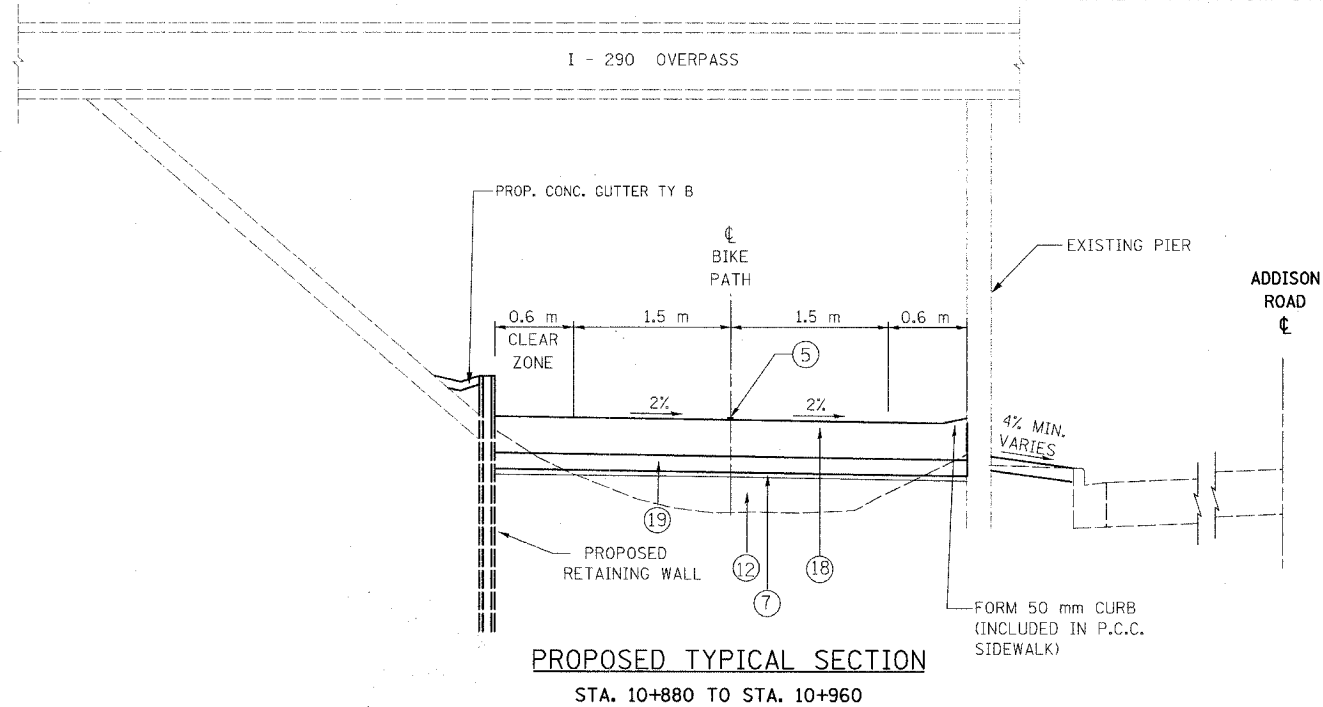
EXIST. R.O.W.



PROPOSED TYPICAL SECTION

STA. 9+553.800 TO STA. 10+880.000

NOTE:
 EXIST. BITUMINOUS SURFACE COURSE TO BE REMOVED
 AND EXIST. GRAVEL BASE TO BE REMAIN UNDER
 PROPOSED BIKE PATH FROM STA. 9+822.5 TO STA. 10+004



PROPOSED TYPICAL SECTION

STA. 10+880 TO STA. 10+960

LEGEND:

- ① AGGREGATE BASE COURSE, TYPE B, 150 mm
- ② BITUMINOUS PRIME COAT
- ③ BITUMINOUS CONCRETE SURFACE COURSE, SUPERPAVE MIX "C", N50, 50 mm
- ④ 150 mm TOP SOIL AND SEEDING CLASS 4A
- ⑤ PAINT PAVEMENT MARKING, 100 mm YELLOW
- ⑥ EXISTING GROUND
- ⑦ GEOTECHNICAL FABRIC FOR GROUND STABILIZATION
- ⑧ PRECAST BLOCK RETAINING WALL
- ⑨ EXISTING SIDEWALK TO BE REMOVED
- ⑩ 150 mm TOP SOIL AND SEEDING, CLASS 1 B
- ⑪ EARTH EXCAVATION
- ⑫ SUITABLE EMBANKMENT MATERIAL (NO TOPSOIL)
- ⑬ LIMESTONE SCREENINGS 50 mm
- ⑭ PCC SIDEWALK PAVEMENT 150 mm
- ⑮ AGGREGATE BASE COURSE, TYPE B, 100 mm

ITEM	AC TYPE	VOIDS	RAP %	USAGE
BITUMINOUS CONCRETE SURFACE COURSE, SUPERPAVE, MIX. C, N50	PG 64-22	4% @ 50 GYR	15%	BIKE PATH SURFACE

NOTE 1:
 AT LOCATIONS OF UNSUITABLE MATERIAL, AS DETERMINED BY THE ENGINEER, THE SUBGRADE TREATMENT WILL CONSIST OF EXCAVATION OF UNSUITABLE MATERIAL TO A DEPTH 300 mm BELOW AGGREGATE BASE COURSE AND PLACEMENT OF 300 mm OF POROUS GRANULAR EMBANKMENT SUBGRADE AND A GEOTECHNICAL FABRIC FOR GROUND STABILIZATION.

NOTE 2:
 THE CONTRACTOR SHALL CONSTRUCT THE PATH SO THAT THE CROSS SLOPE IS IN THE DIRECTION OF THE GROUND SLOPE WHERE SHEET FLOW ACROSS THE PATH WILL OCCUR. WHERE SHEET FLOW ACROSS THE PATH IS NOT A CONCERN DUE TO THE PRESENCE OF A SWALE ON THE UPSTREAM SIDE, THE CONTRACTOR SHALL SLOPE THE PATH OUT FROM THE CENTERLINE.

NOTE 3:
 ADDITIONAL FILL MATERIAL TO BE PLACED ABOVE FABRIC IN CUT SECTIONS SHALL NOT BE MEASURED FOR PAYMENT. MATERIAL SHALL BE SUITABLE EMBANKMENT MATERIAL.

NOTE 4:
 AT ALL INTERSECTIONS BIKE PATH AND STREETS/DRIVEWAYS DEPRESS THE CURB (IF APPLICABLE) AND KEEP EXISTING PAVEMENT ELEVATIONS.

URS 1701 GOLF ROAD, SUITE 1000 TEL (847) 228-0707
 ROLLING MEADOWS, IL 60008 FAX (847) 228-1115

VILLAGE OF ADDISON
SALT CREEK GREENWAY TRAIL
 TYPICAL SECTIONS

REVISIONS		
NO.	NAME	DATE

DATE: 10/22/04
 DESIGNED BY: MIA
 DRAWN BY: MIA&VP
 CHECKED BY: DDL