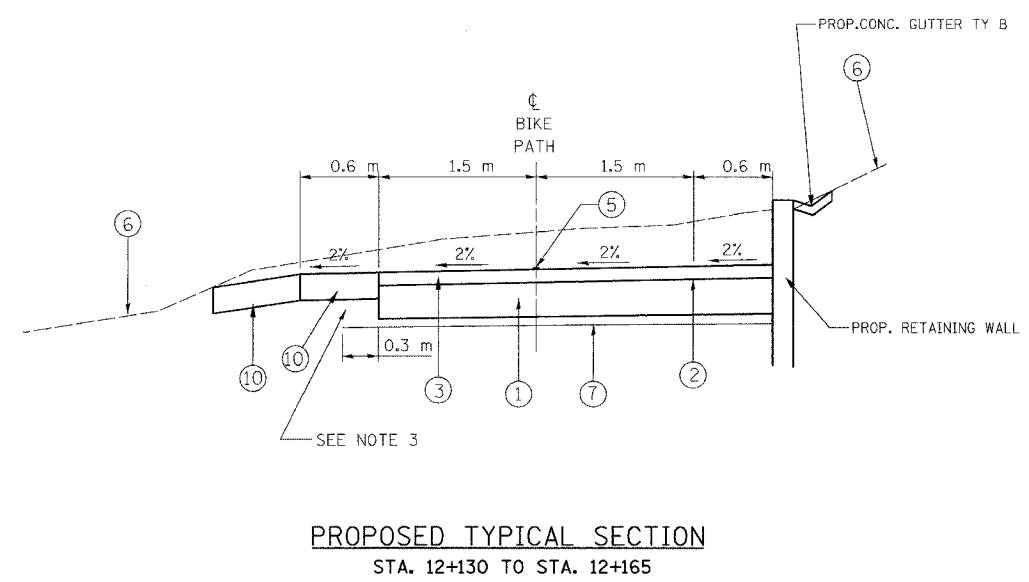
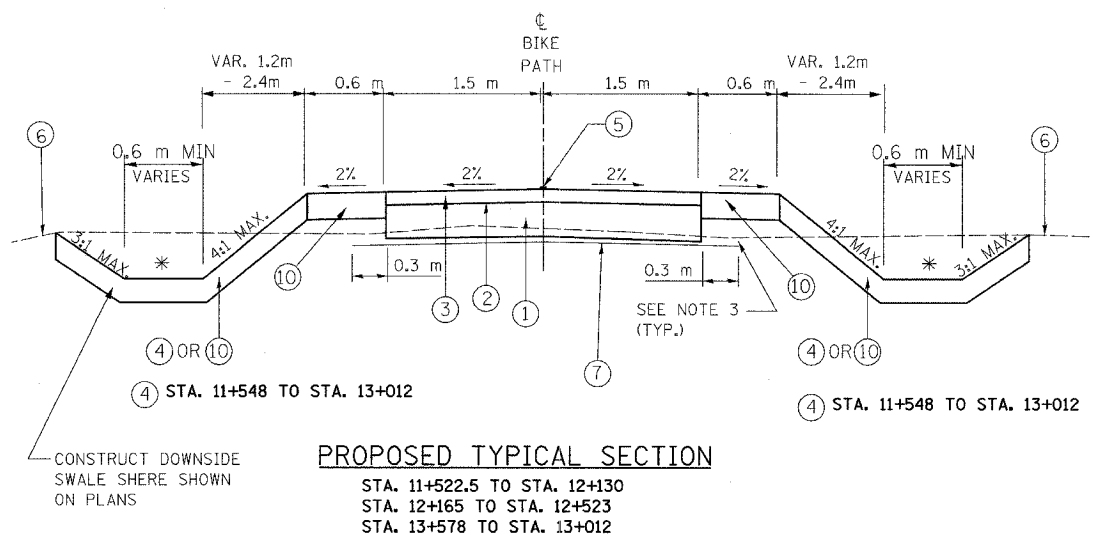
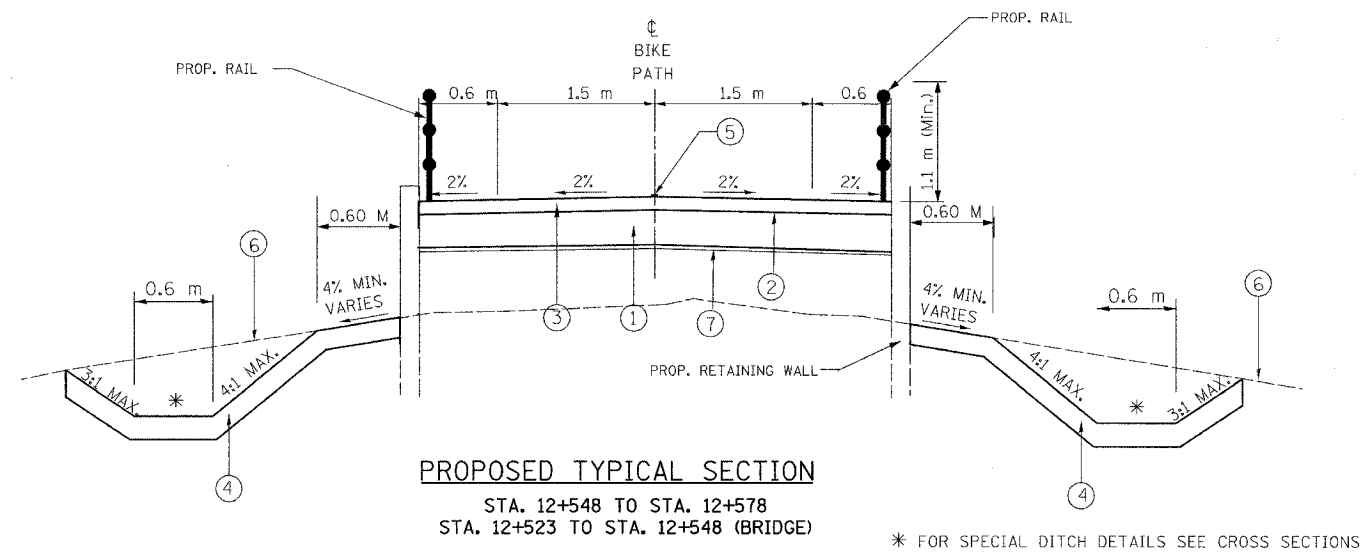
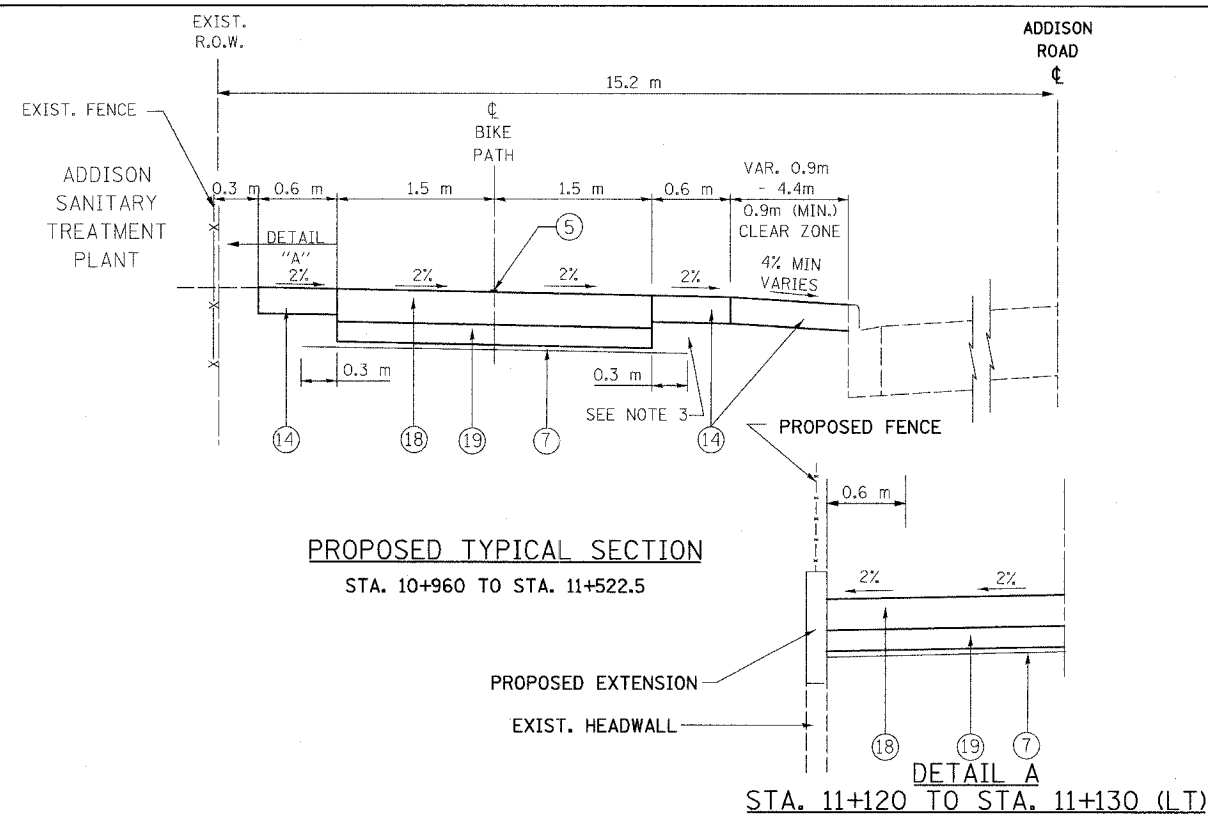


SECTION	COUNTY	TOTAL SHEETS	SHEET NO.
02-00090-00-BT	DUPAGE	117	7
STA. TO STA.			
IDOT PROJECT NO. M-8003(222)			
SALT CREEK GREENWAY TRAIL			
CONTRACT NO. 83713			



- LEGEND:**
- ① AGGREGATE BASE COURSE, TYPE B, 150 mm
  - ② BITUMINOUS PRIME COAT
  - ③ BITUMINOUS CONCRETE SURFACE COURSE, SUPERPAVE MIX "C", N50, 50 mm
  - ④ 150 mm TOP SOIL AND SEEDING CLASS 4A
  - ⑤ PAINT PAVEMENT MARKING, 100 mm YELLOW
  - ⑥ EXISTING GROUND
  - ⑦ GEOTECHNICAL FABRIC FOR GROUND STABILIZATION
  - ⑧ PRECAST BLOCK RETAINING WALL
  - ⑨ EXISTING SIDEWALK TO BE REMOVED
  - ⑩ 150 mm TOP SOIL AND SEEDING, CLASS 1 B
  - ⑪ EARTH EXCAVATION
  - ⑫ SUITABLE EMBANKMENT MATERIAL (NO TOPSOIL)
  - ⑬ LIMESTONE SCREENINGS 50 mm
  - ⑭ 150 mm TOP SOIL AND SALT TOLERANT SODDING
  - ⑮ PCC SIDEWALK PAVEMENT 150 mm
  - ⑯ AGGREGATE BASE COURSE, TYPE B, 100 mm

REVISIONS		
NO.	NAME	DATE

**URS** 1701 GOLF ROAD, SUITE 1000 TEL (847) 228-0707  
ROLLING MEADOWS, IL 60008 FAX (847) 228-1115

VILLAGE OF ADDISON  
**SALT CREEK GREENWAY TRAIL**  
TYPICAL SECTIONS

DATE: 10/22/04 DRAWN BY: MIA&VP  
DESIGNED BY: MIA CHECKED BY: DDL