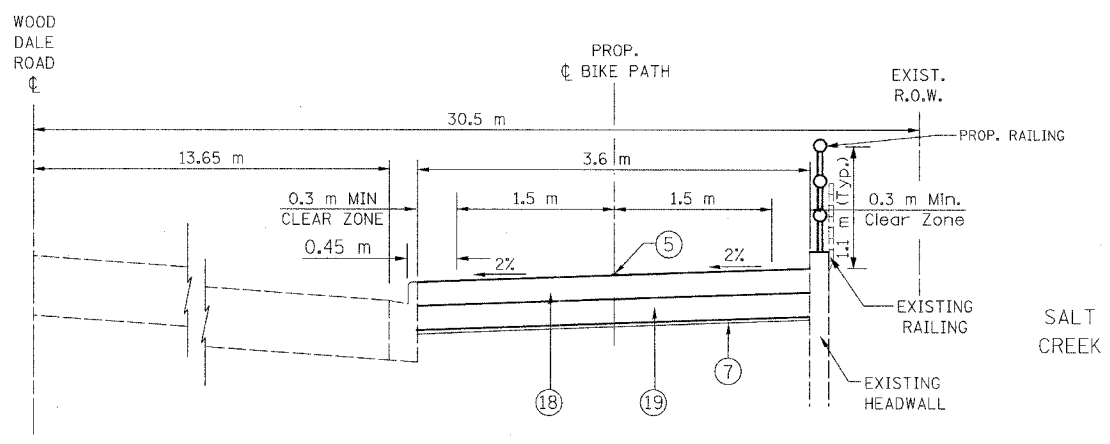
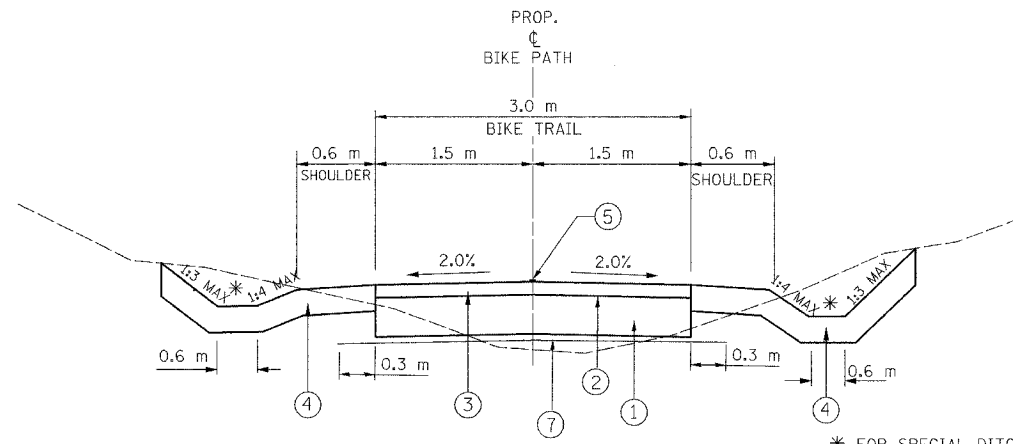


SECTION	COUNTY	TOTAL SHEETS	SHEET NO.
02-00090-00-BT	DUPAGE	117	8
STA. TO STA.			
IDOT PROJECT NO. M-8003(222)			
SALT CREEK GREENWAY TRAIL			
CONTRACT NO. 83713			

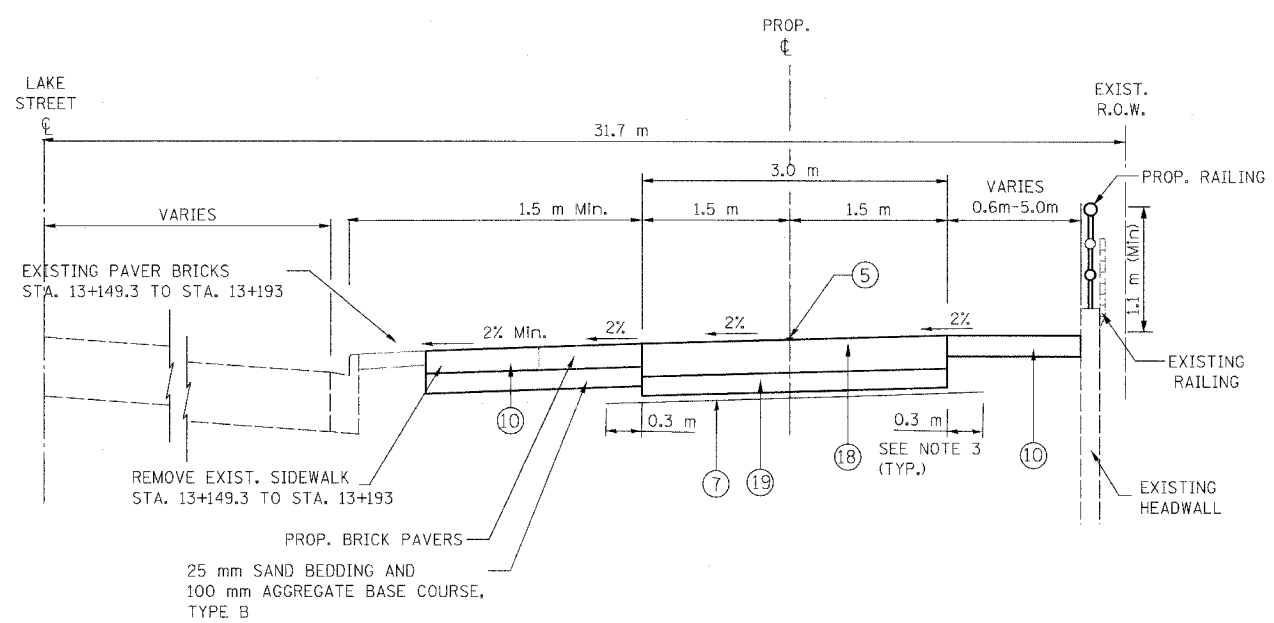


**PROPOSED TYPICAL SECTION**  
 STA. 13+012 TO STA. 13+079.0  
 STA. 13+079. TO STA. 13+146.54 - EXIST. INTERSECTION

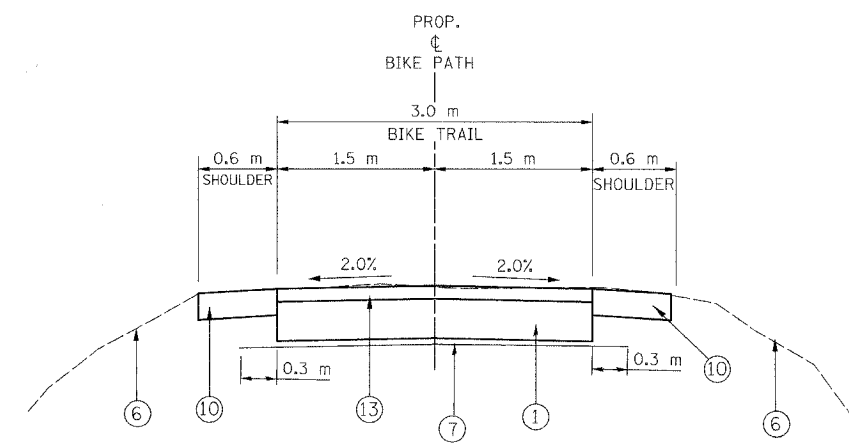


**PROPOSED TYPICAL SECTION**  
 STA. 13+192.45 TO STA. 13+625

\* FOR SPECIAL DITCH DETAILS  
 SEE CROSS SECTIONS



**PROPOSED TYPICAL SECTION**  
 STA. 13+146.54 TO STA. 13+192.45



**PROPOSED TYPICAL SECTION**  
 STA. 13+625 TO STA. 14+447.558

OMMISSION: STA. 14+447.558 TO 15+800 (EXISTING TRAIL)

**LEGEND:**

- ① AGGREGATE BASE COURSE, TYPE B, 150 mm
- ② BITUMINOUS PRIME COAT
- ③ BITUMINOUS CONCRETE SURFACE COURSE, SUPERPAVE MIX "C", N50, 50 mm
- ④ 150 mm TOP SOIL AND SEEDING CLASS 4A
- ⑤ PAINT PAVEMENT MARKING, 100 mm YELLOW
- ⑥ EXISTING GROUND
- ⑦ GEOTECHNICAL FABRIC FOR GROUND STABILIZATION
- ⑧ PRECAST BLOCK RETAINING WALL
- ⑨ EXISTING SIDEWALK TO BE REMOVED
- ⑩ 150 mm TOP SOIL AND SEEDING, CLASS 1 B
- ⑪ EARTH EXCAVATION
- ⑫ SUITABLE EMBANKMENT MATERIAL (NO TOPSOIL)
- ⑬ LIMESTONE SCREENINGS 50 mm
- ⑭ PCC SIDEWALK PAVEMENT 150 mm
- ⑮ AGGREGATE BASE COURSE, TYPE B, 100 mm

REVISIONS		
NO.	NAME	DATE

**URS** 1701 GOLF ROAD, SUITE 1000 TEL: (847) 228-0707  
 ROLLING MEADOWS, IL 60008 FAX: (847) 228-1115

VILLAGE OF ADDISON  
**SALT CREEK GREENWAY TRAIL**  
 TYPICAL SECTIONS

DATE: 10/22/04 DRAWN BY: MIA&VP  
 DESIGNED BY: MIA CHECKED BY: DDL