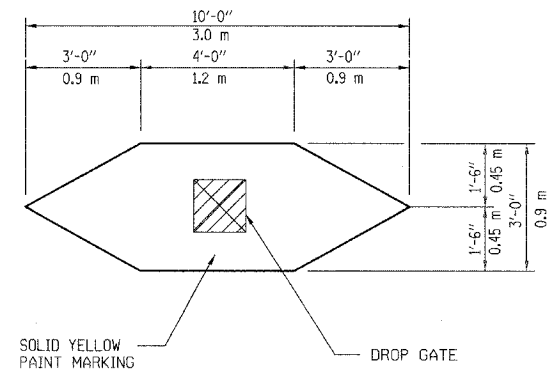
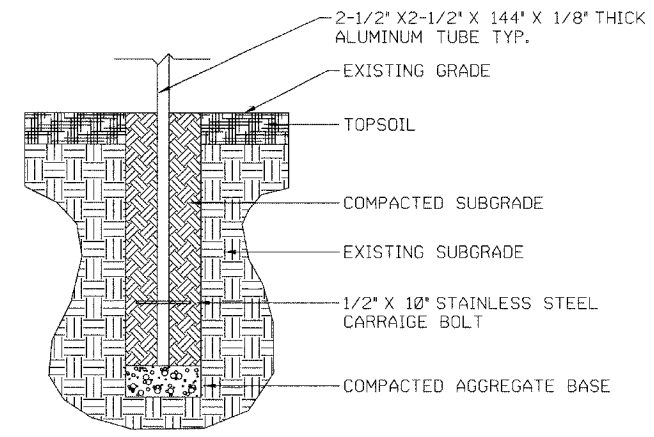


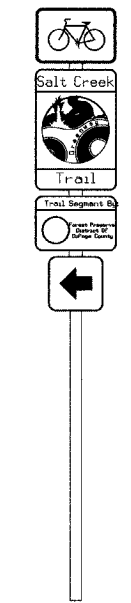
| | | | |
|------------------------------|---------|--------------|-----------|
| SECTION | COUNTY | TOTAL SHEETS | SHEET NO. |
| 02-00090-00-BT | DUPAGE | 117 | 37 |
| STA. | TO STA. | | |
| IDOT PROJECT NO. M-8003(222) | | | |
| SALT CREEK GREENWAY TRAIL | | | |
| CONTRACT NO. 83713 | | | |



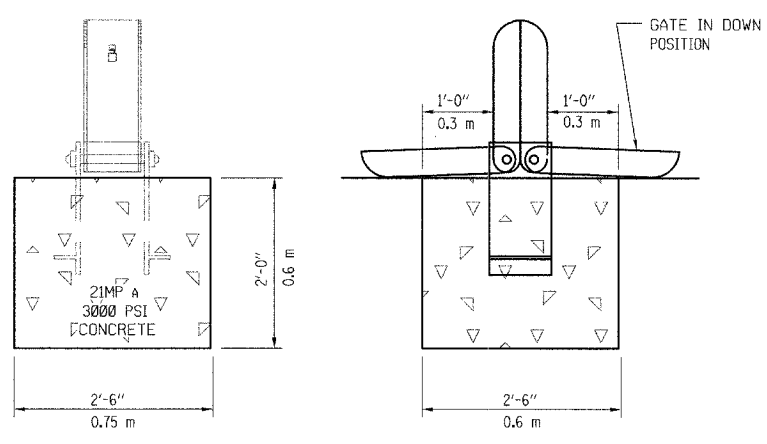
TIP DOWN GATE MARKING DETAIL
N.T.S.



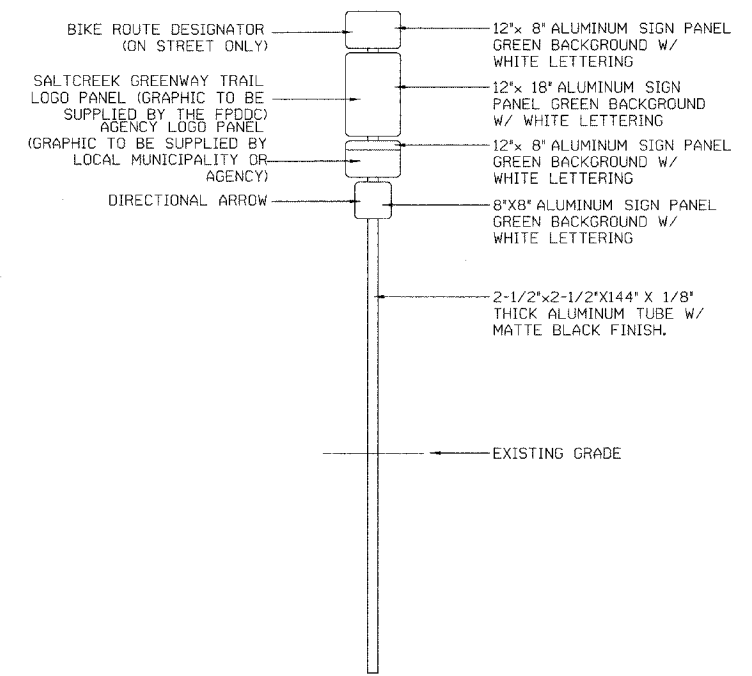
D4 SIGN BASE DETAIL
SECTION - N.T.S.



D6 TRAIL MARKER
DESIGN - N.T.S.



FRONT VIEW SIDE VIEW
TIP DOWN GATE INSTALLATION DETAIL
N.T.S.



A6 TRAIL MARKER
ELEVATION - N.T.S.

| REVISIONS | | |
|-----------|------|------|
| NO. | NAME | DATE |
| | | |
| | | |
| | | |
| | | |
| | | |
| | | |
| | | |
| | | |
| | | |
| | | |

URS 1701 GOLF ROAD, SUITE 1000 TEL (847) 228-0707
ROLLING MEADOWS, IL 60008 FAX (847) 228-1115

VILLAGE OF ADDISON
SALT CREEK GREENWAY TRAIL
SIGN DETAILS

DATE: 10/22/04 DRAWN BY: MIA&VP
DESIGNED BY: MIA CHECKED BY: DDL